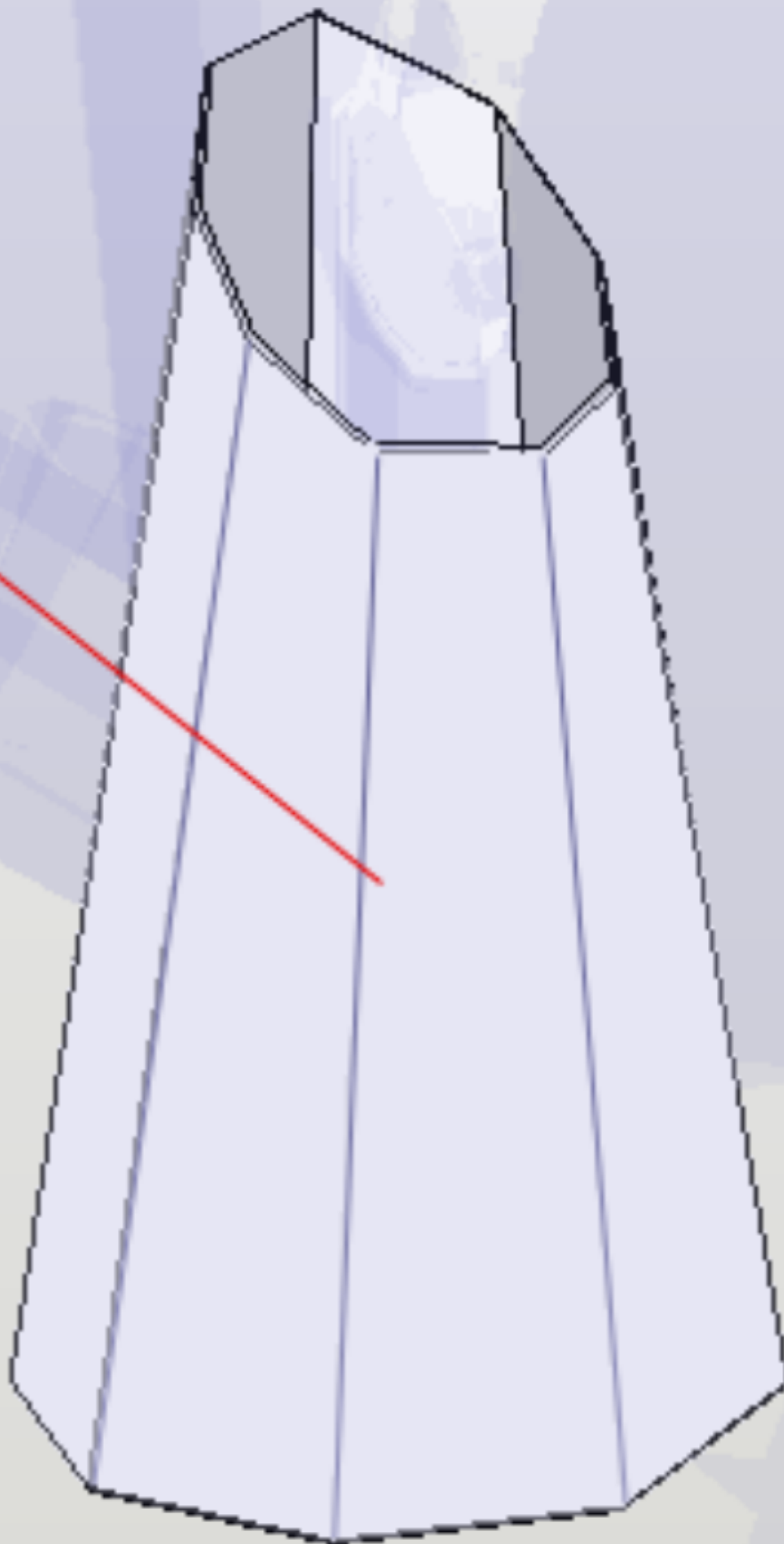
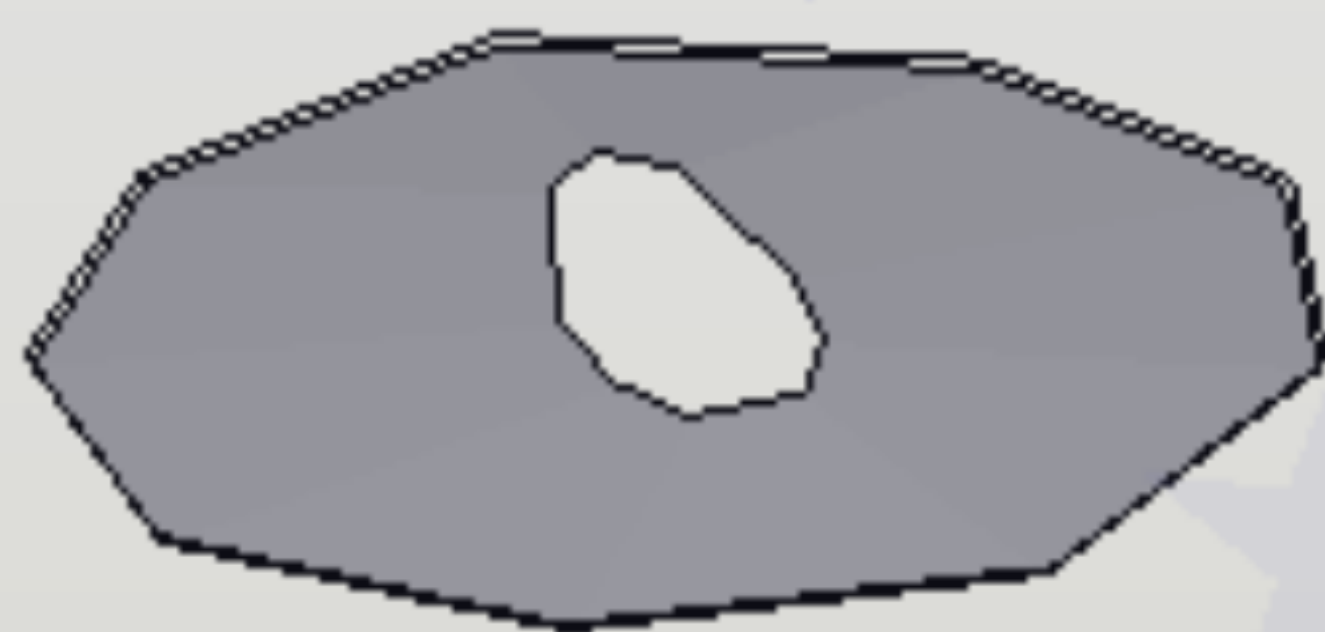


A2



A1

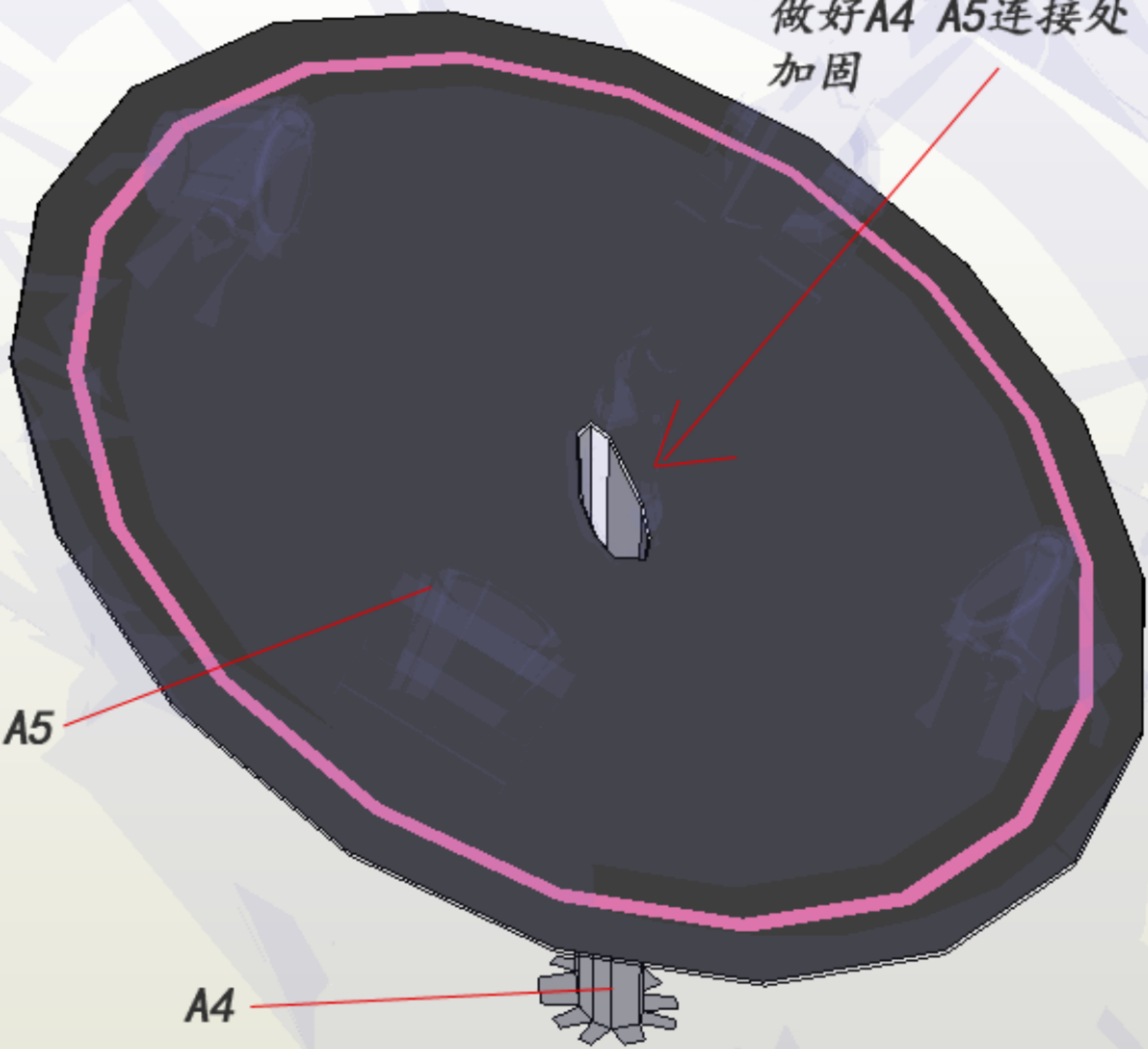
A1



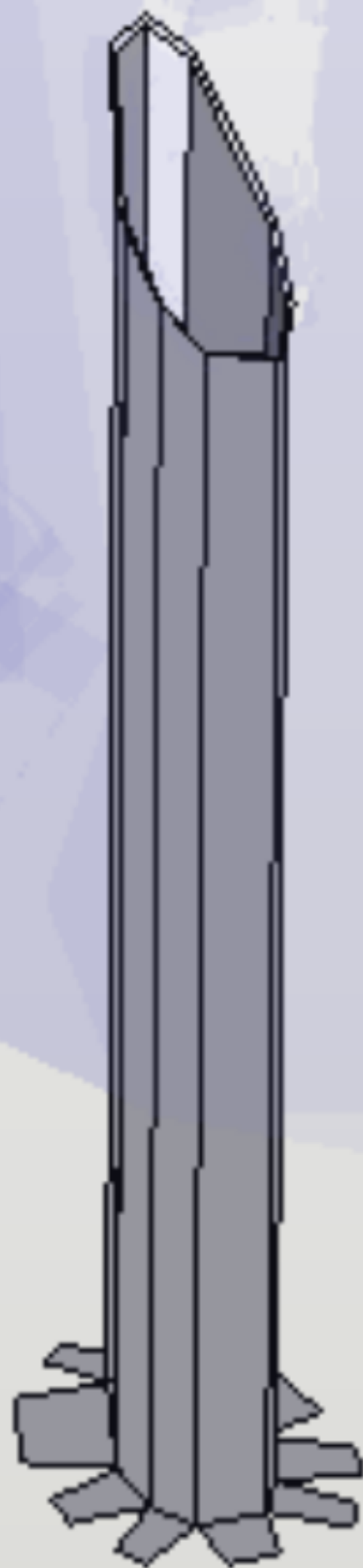
做好A4 A5连接处
加固

A5

A4

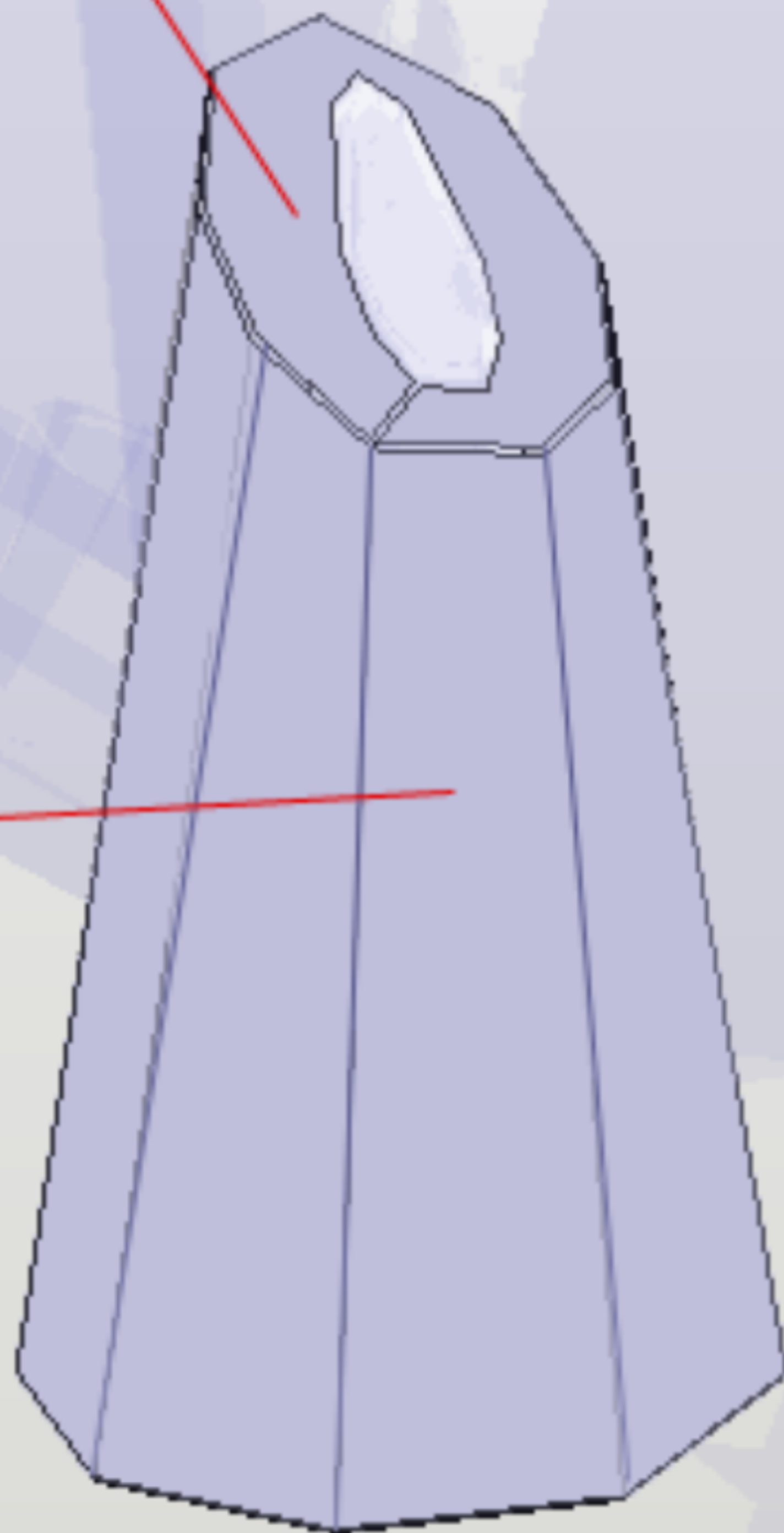


A4

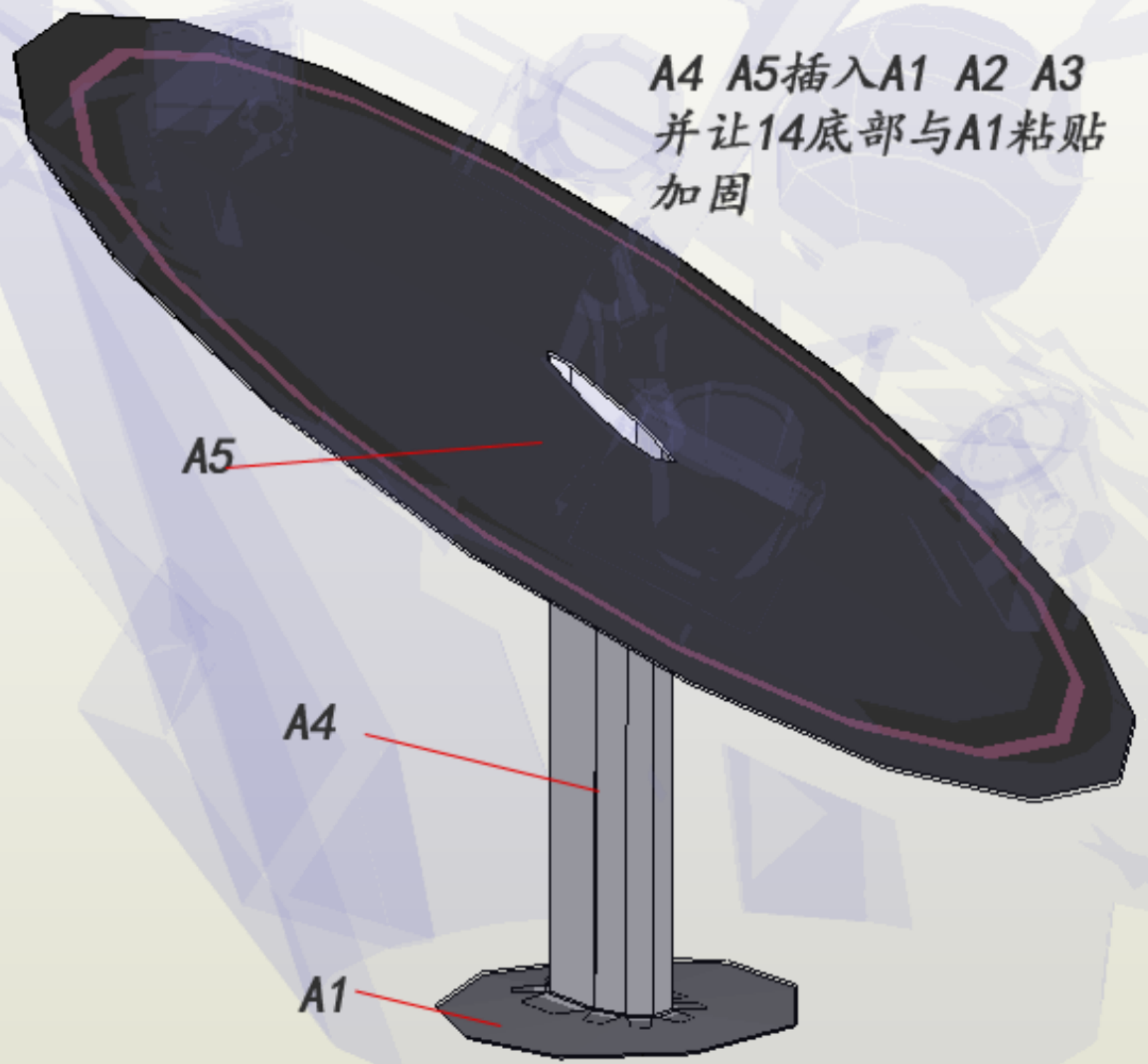


A3

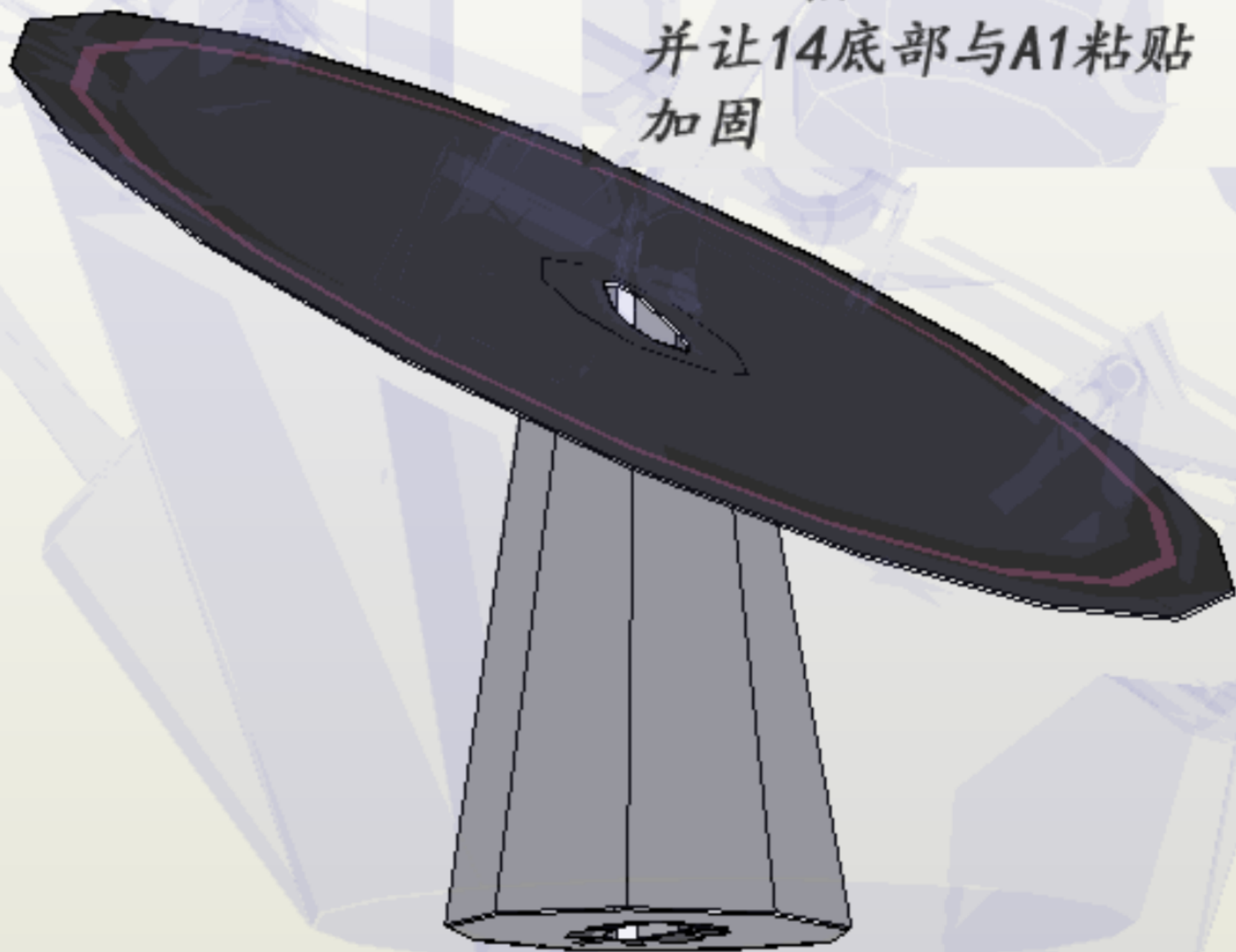
A2



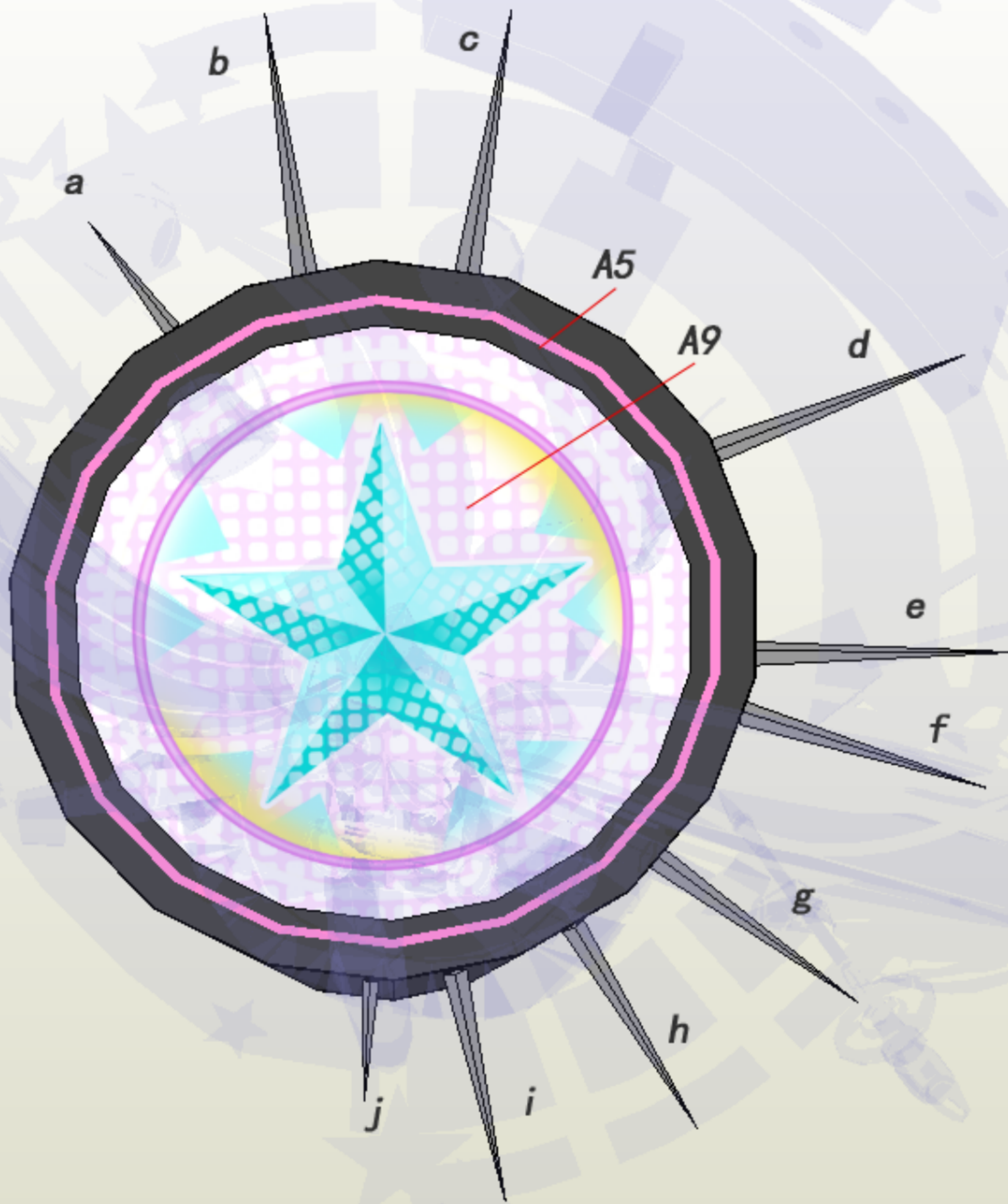
A4 A5插入A1 A2 A3
并让14底部与A1粘贴
加固

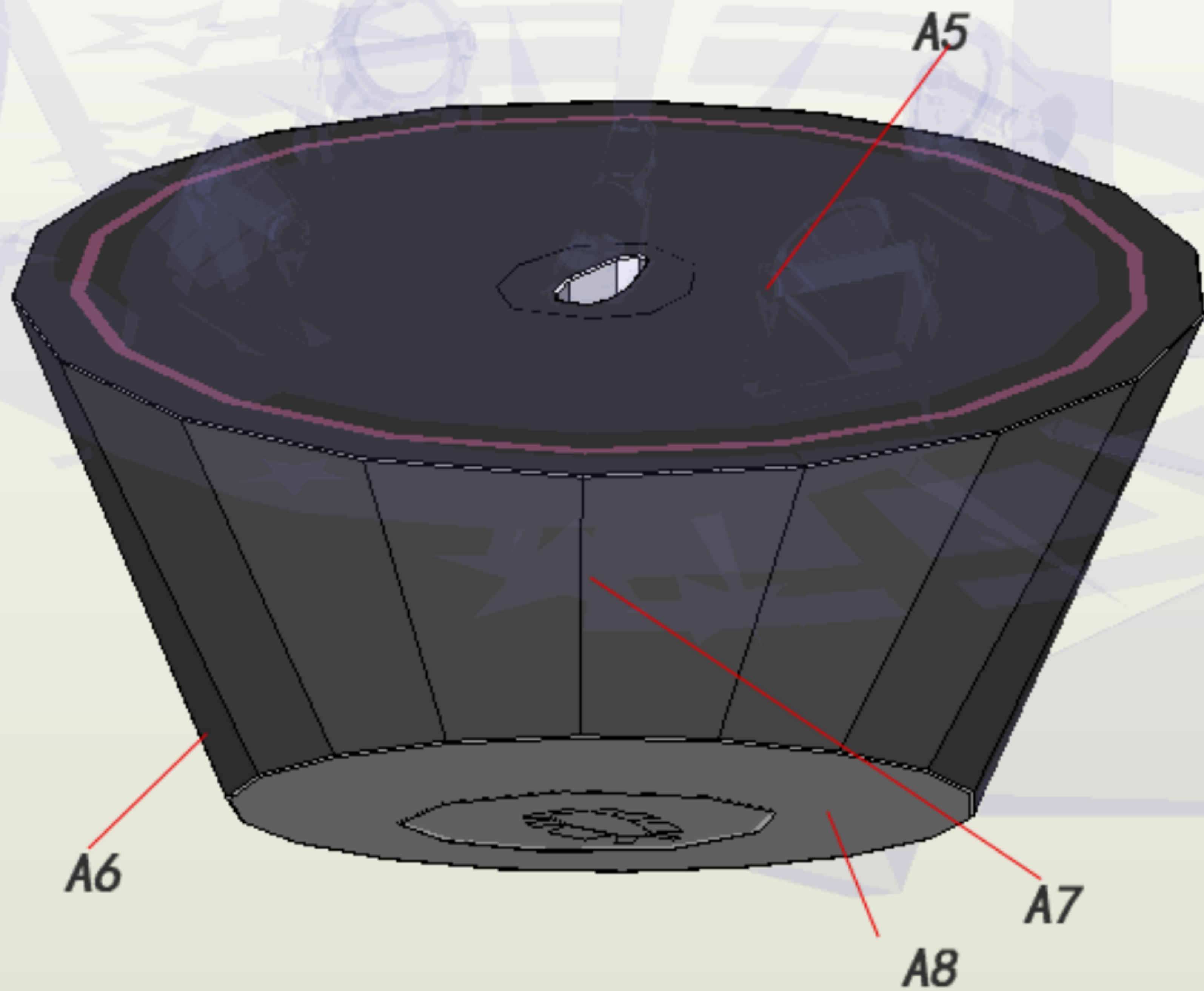


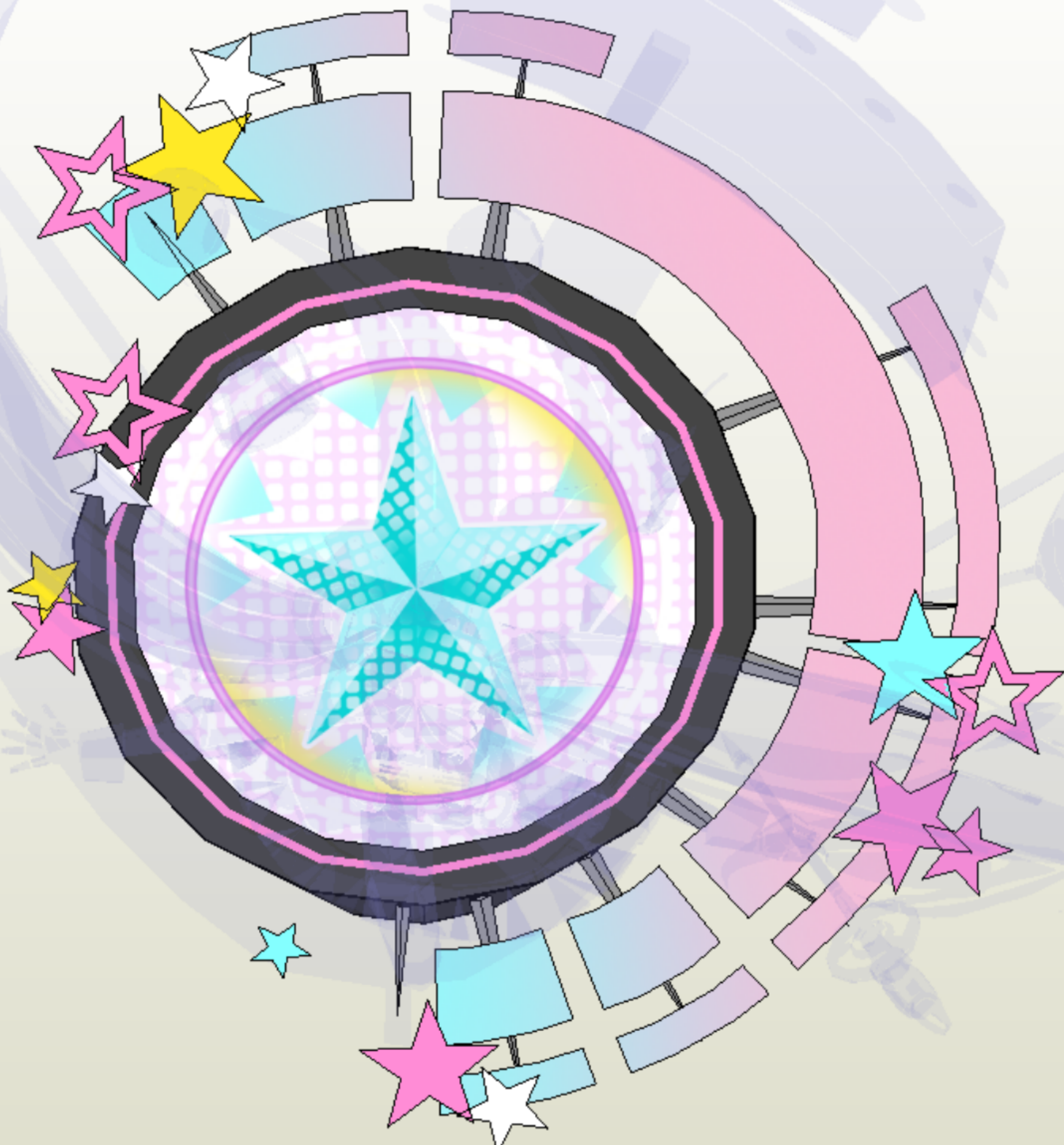
A4 A5插入A1 A2 A3
并让14底部与A1粘贴
加固

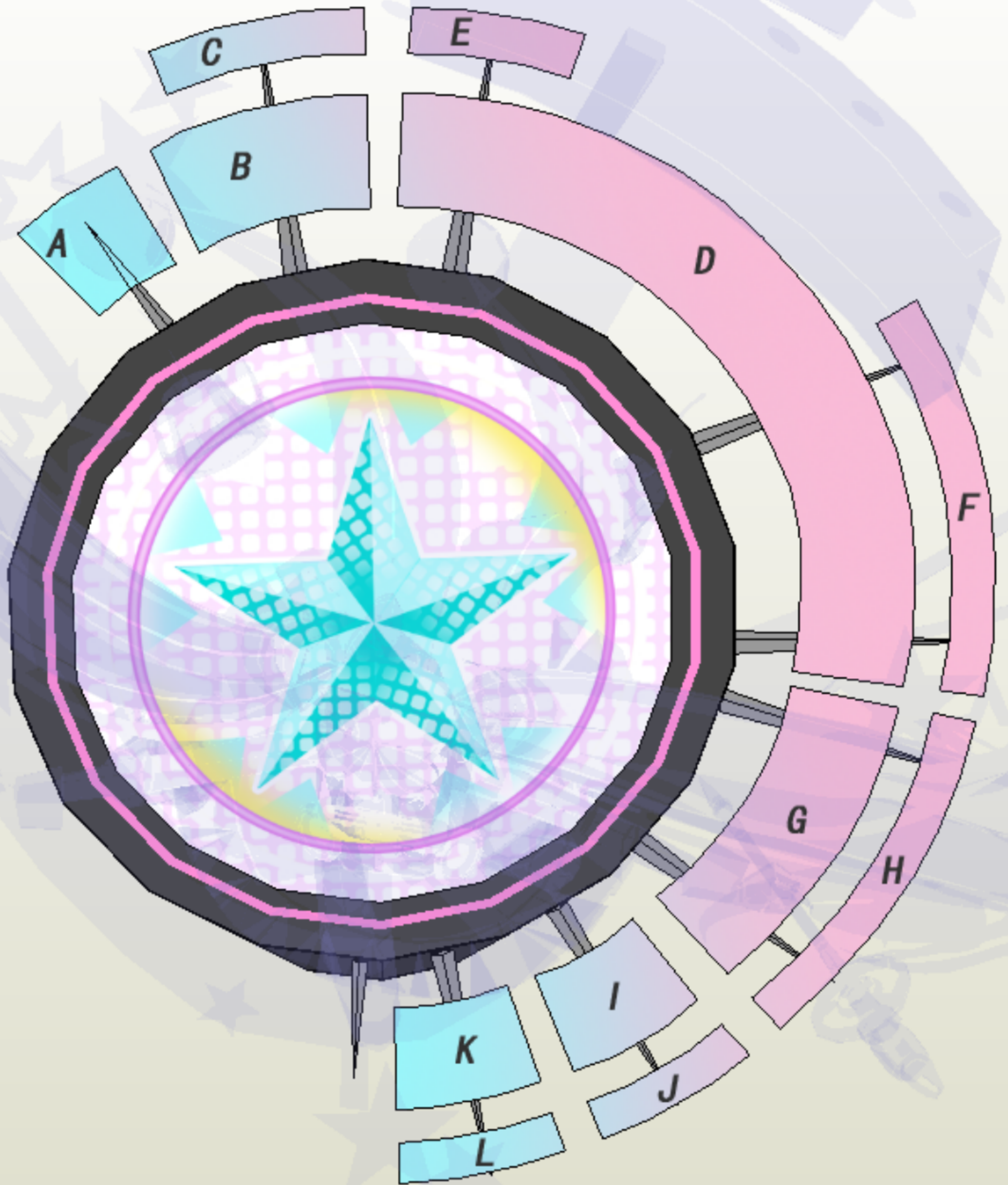


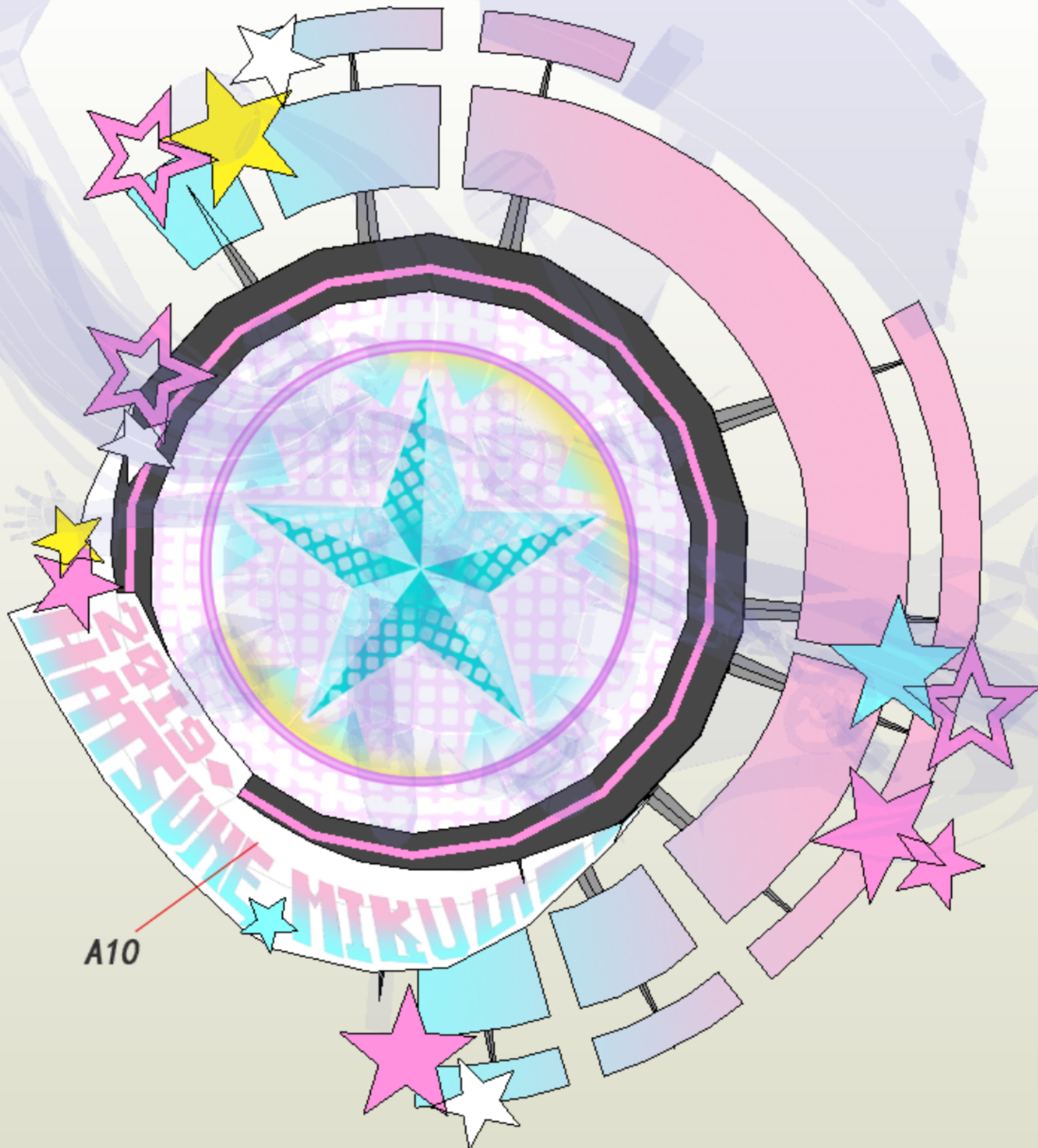
底部加固



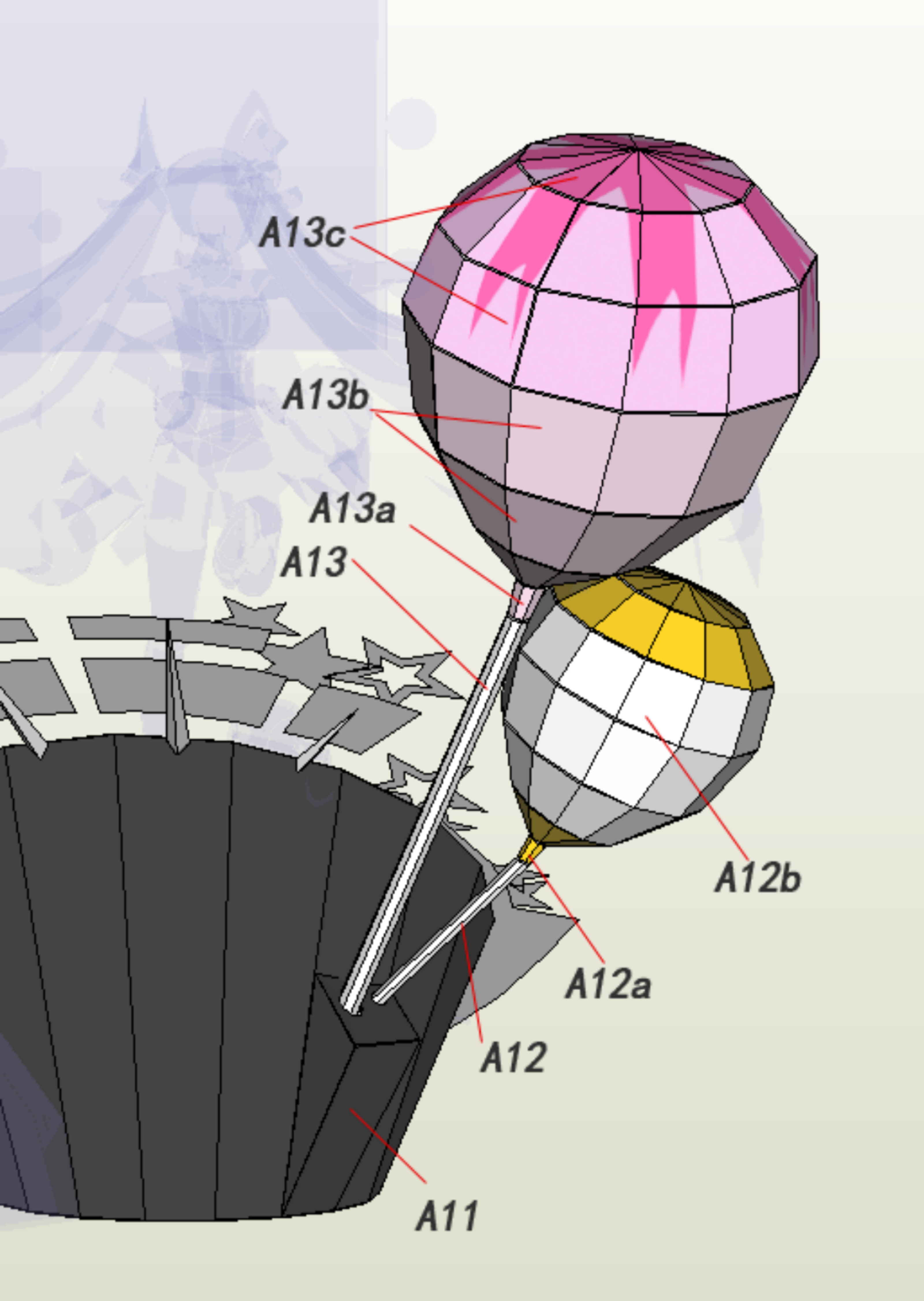


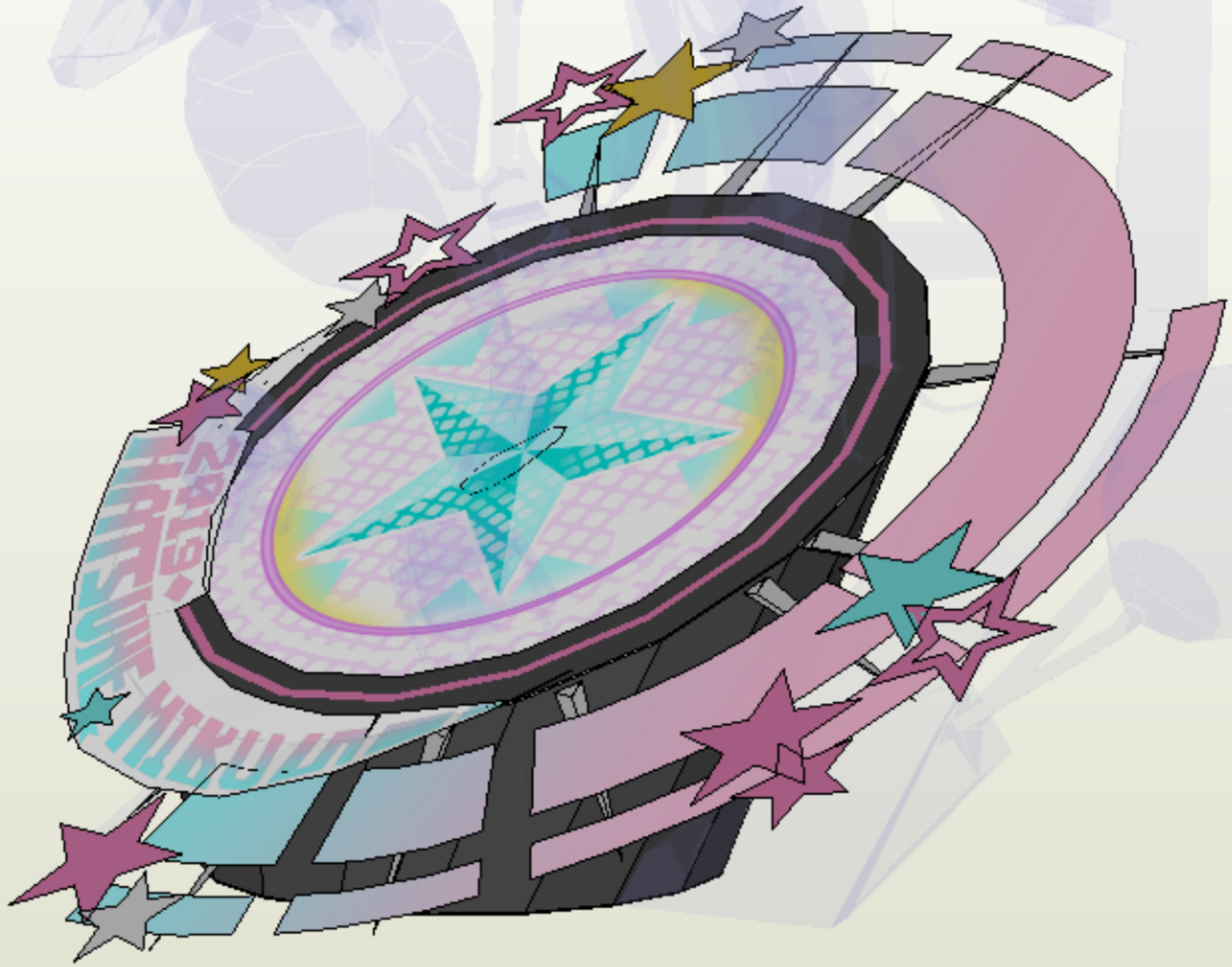


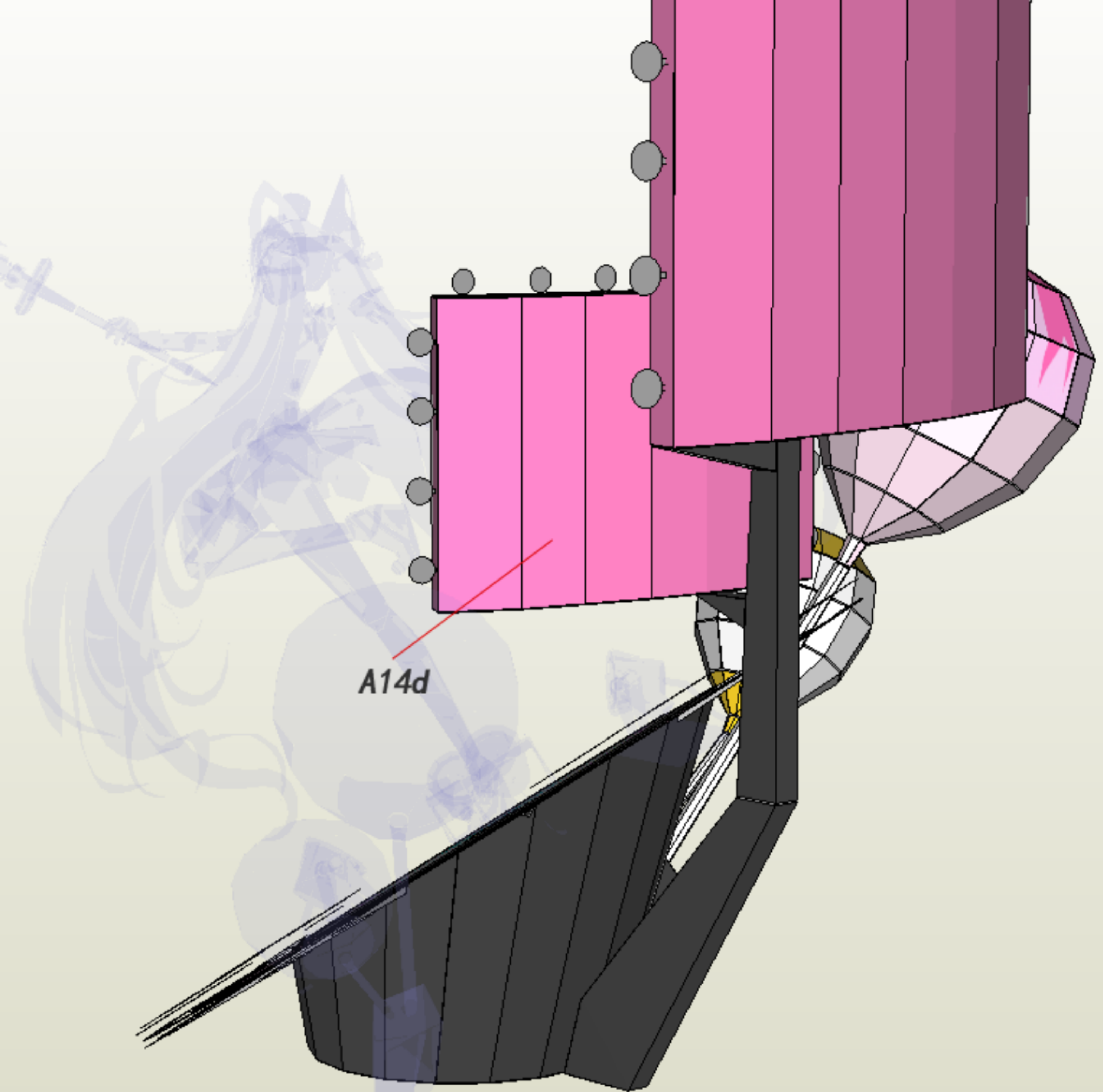




A10







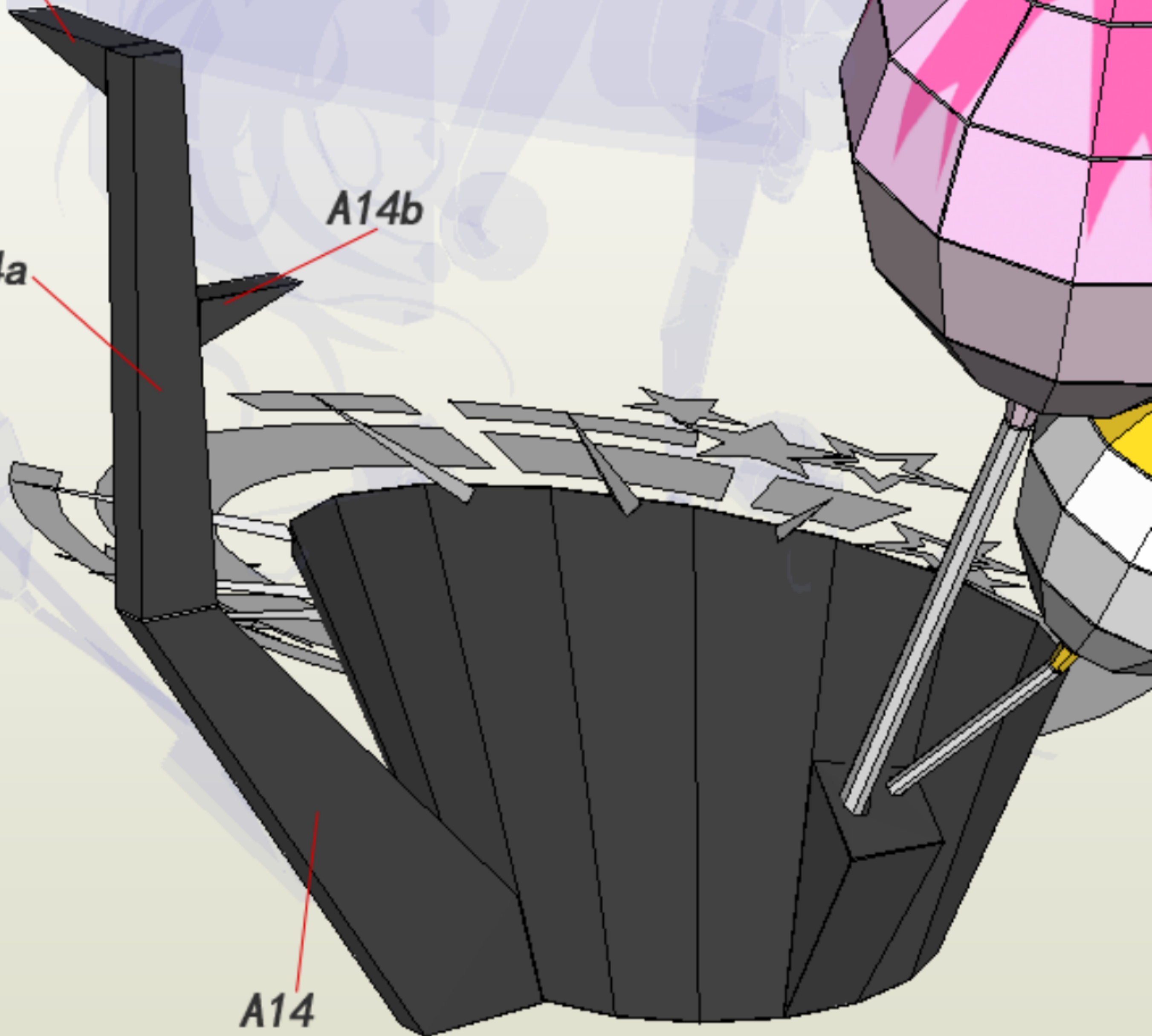
A14d

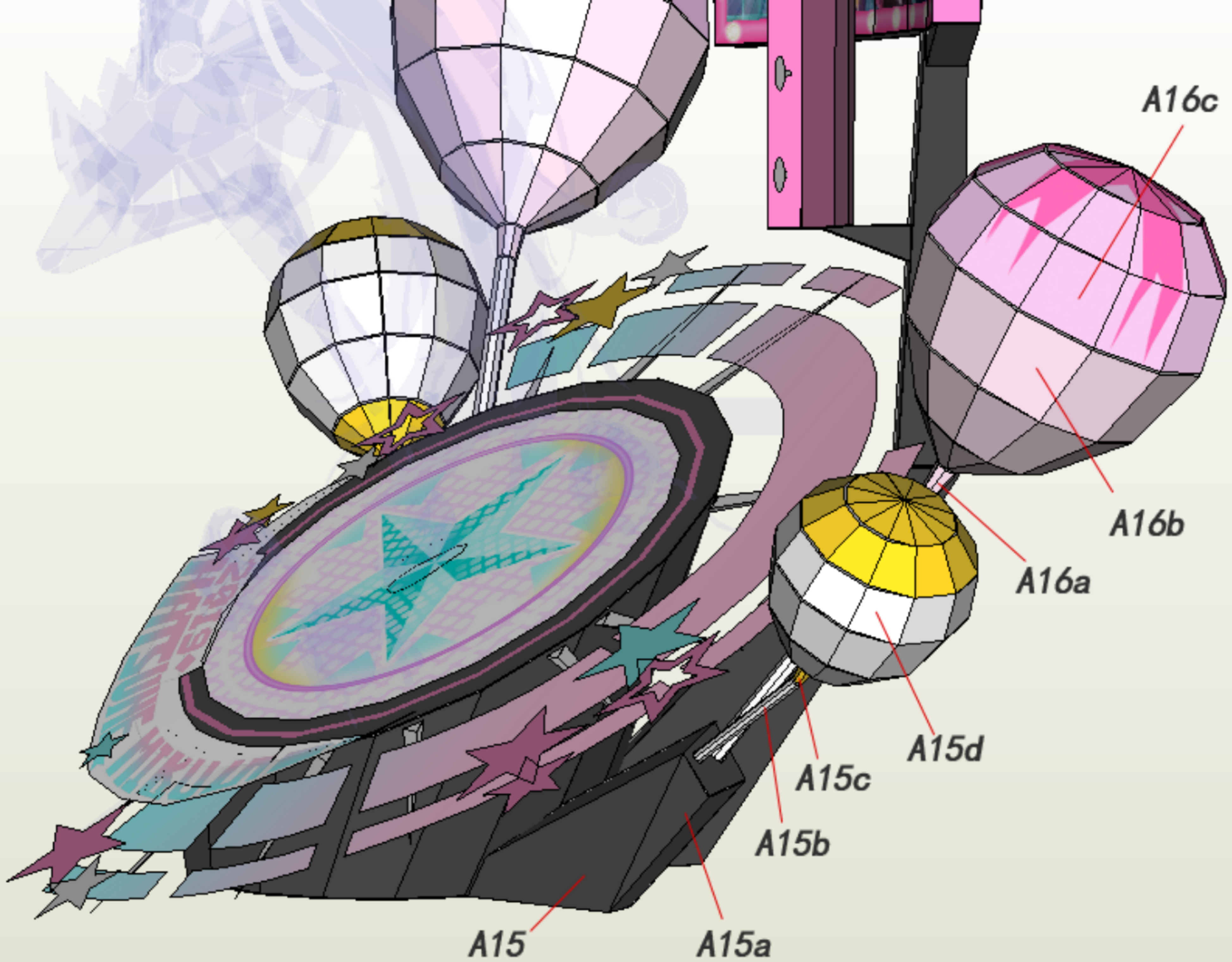
A14h

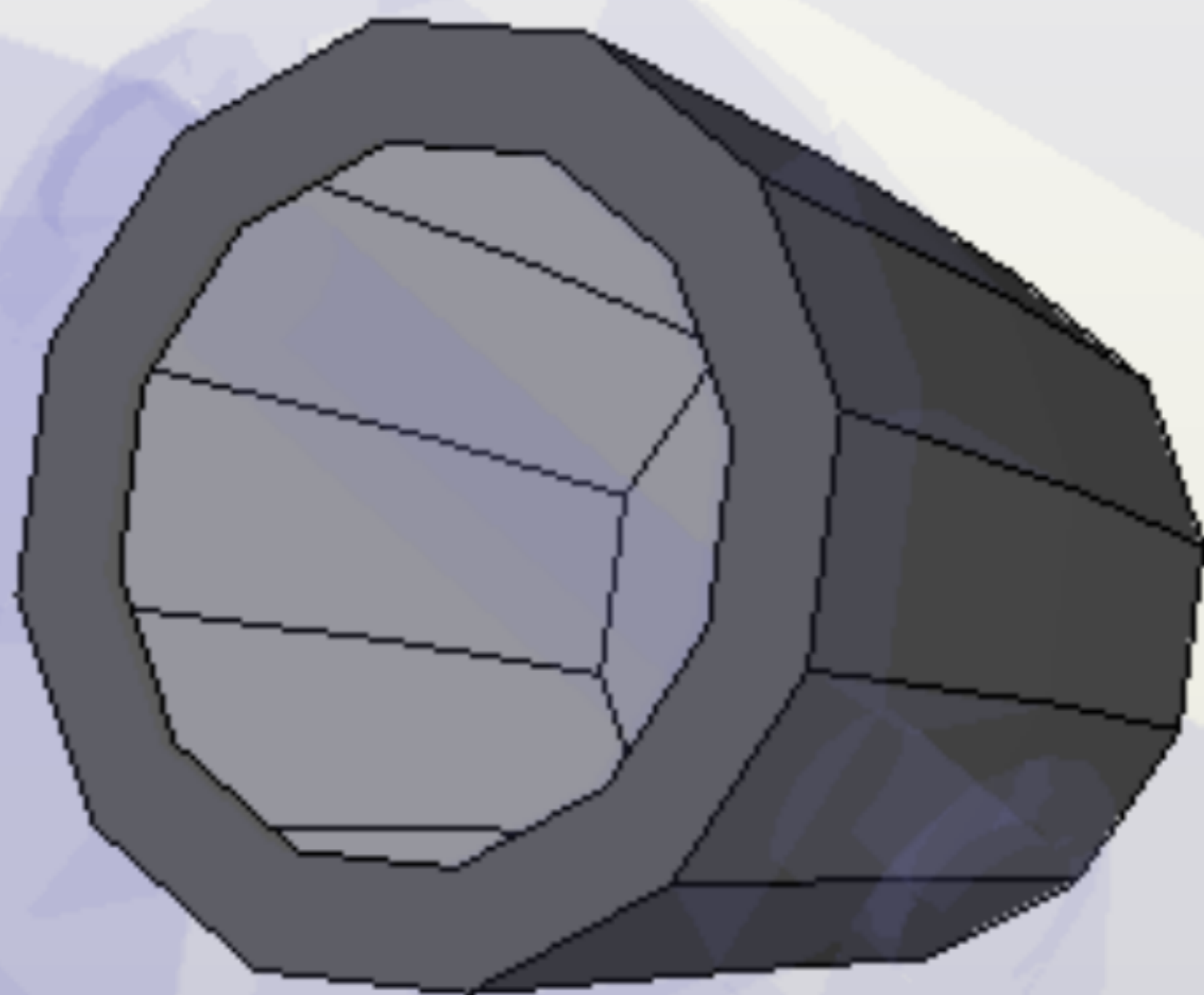
A14b

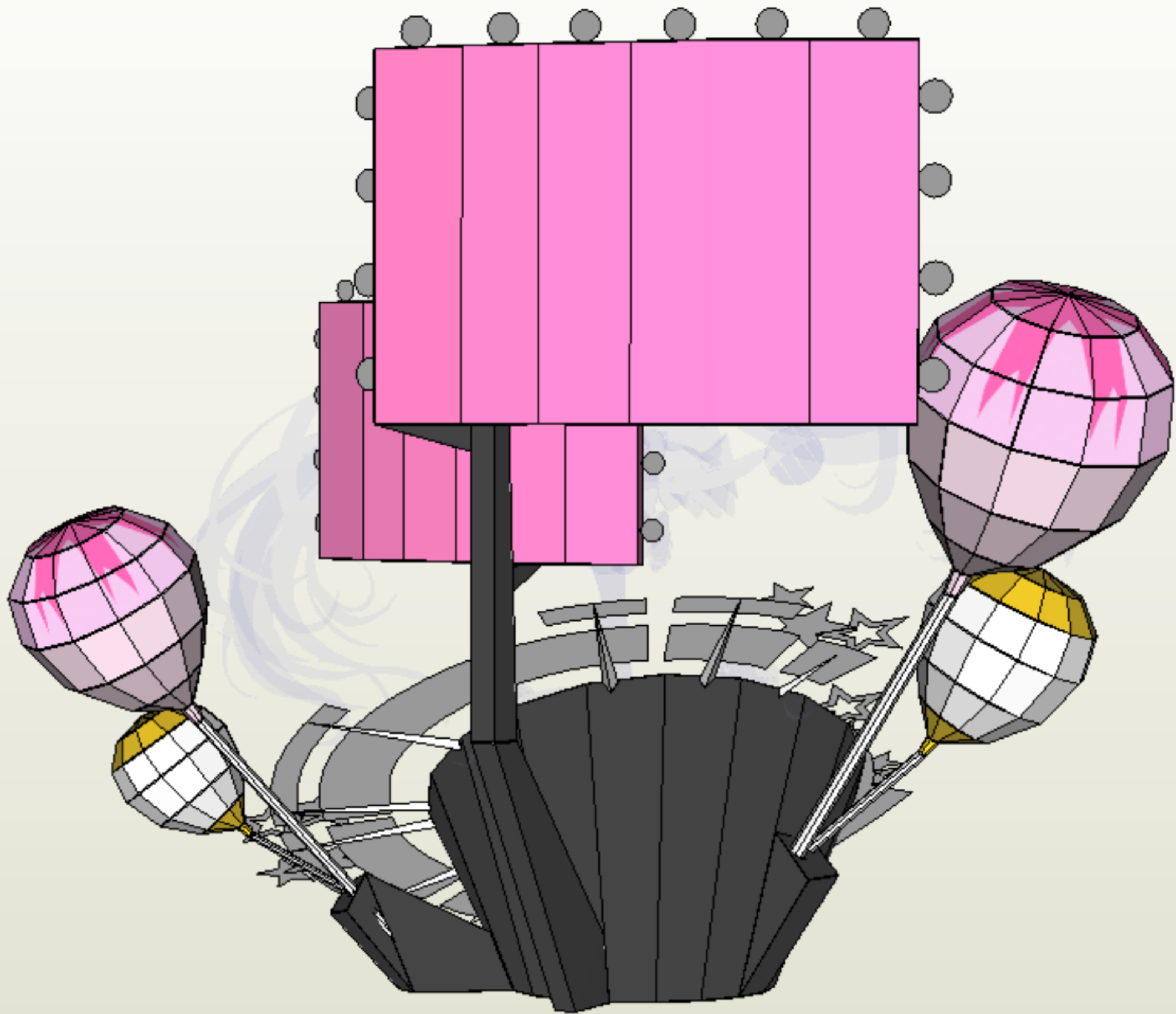
A14a

A14

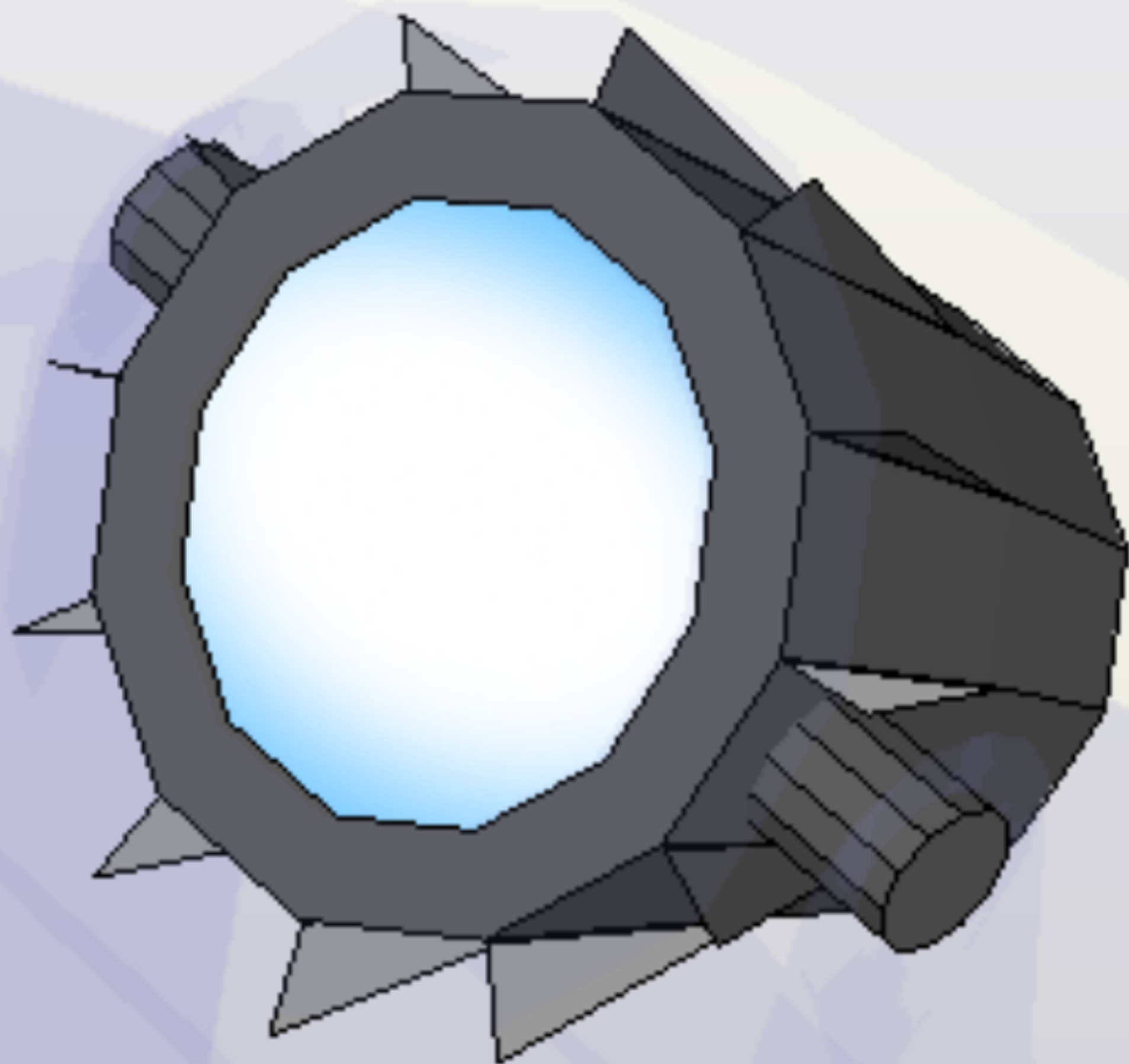


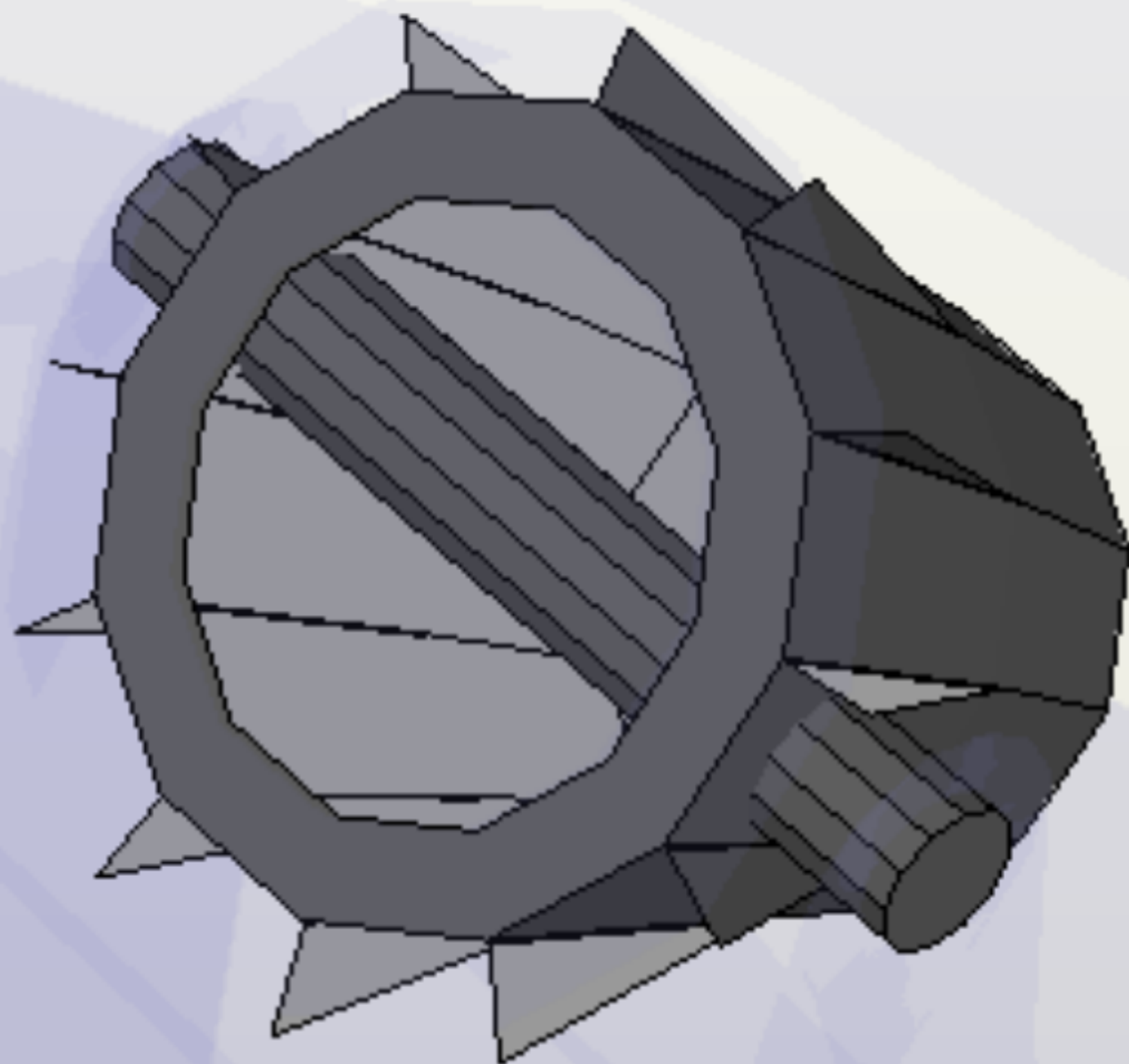


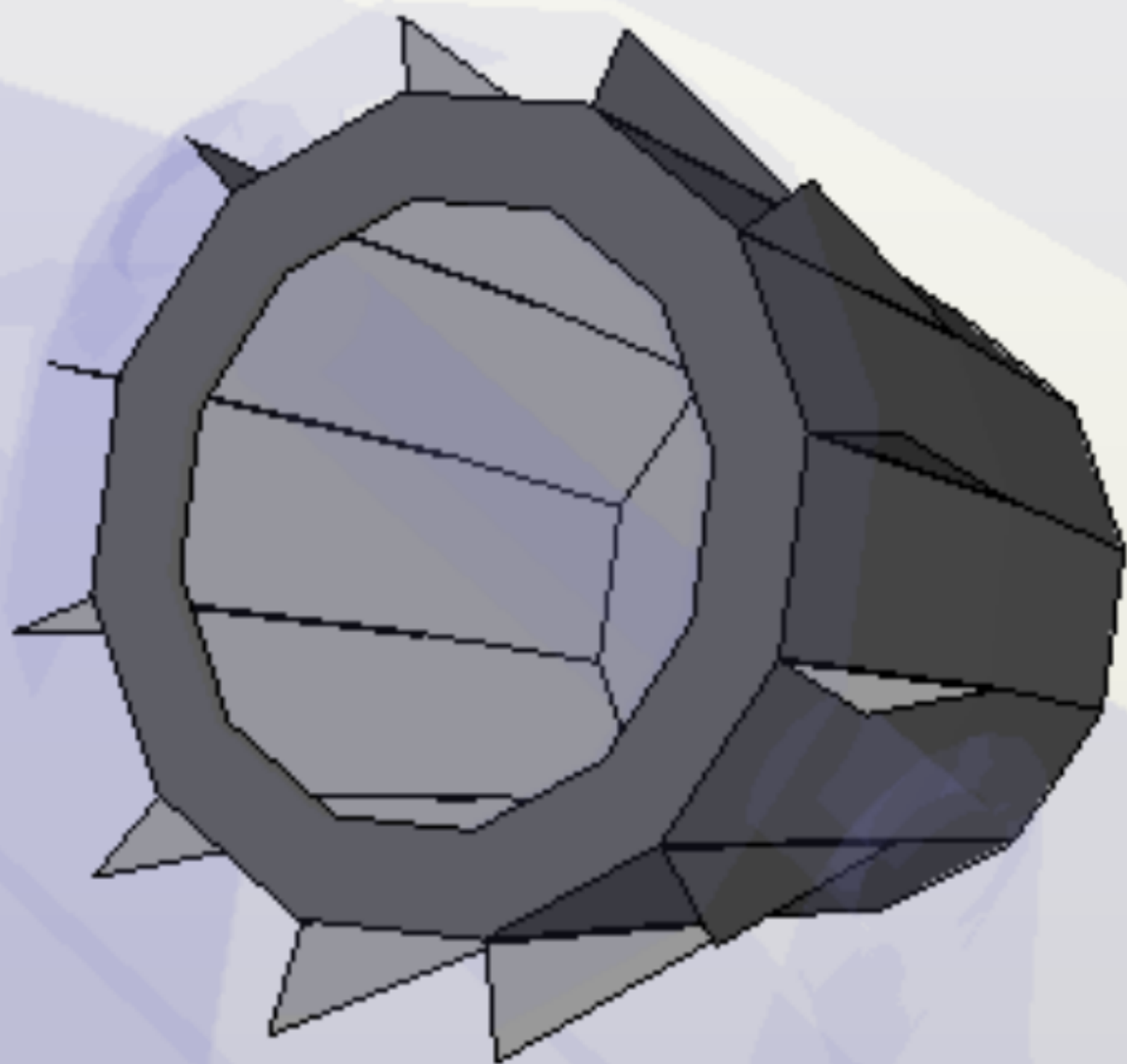


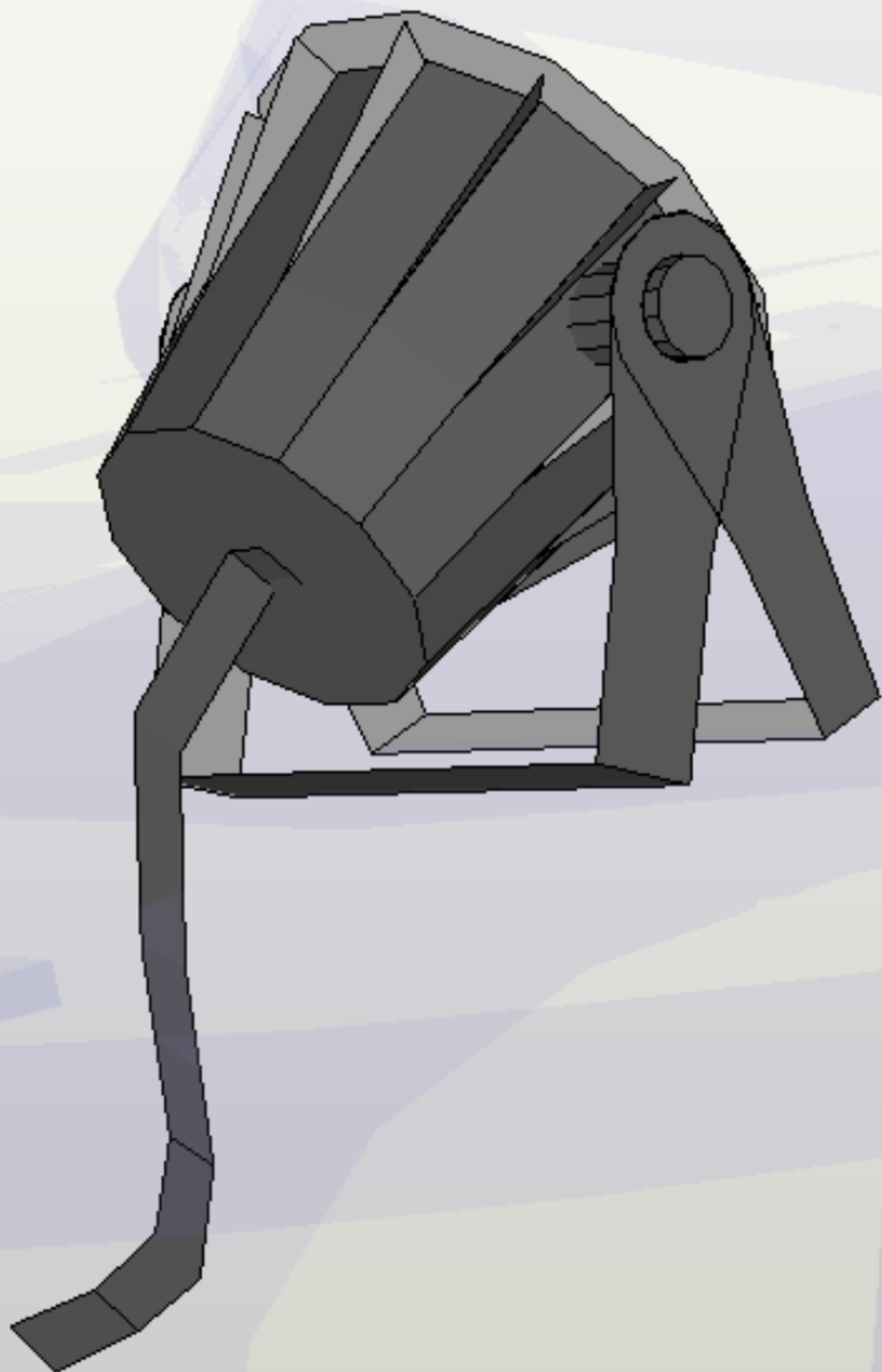


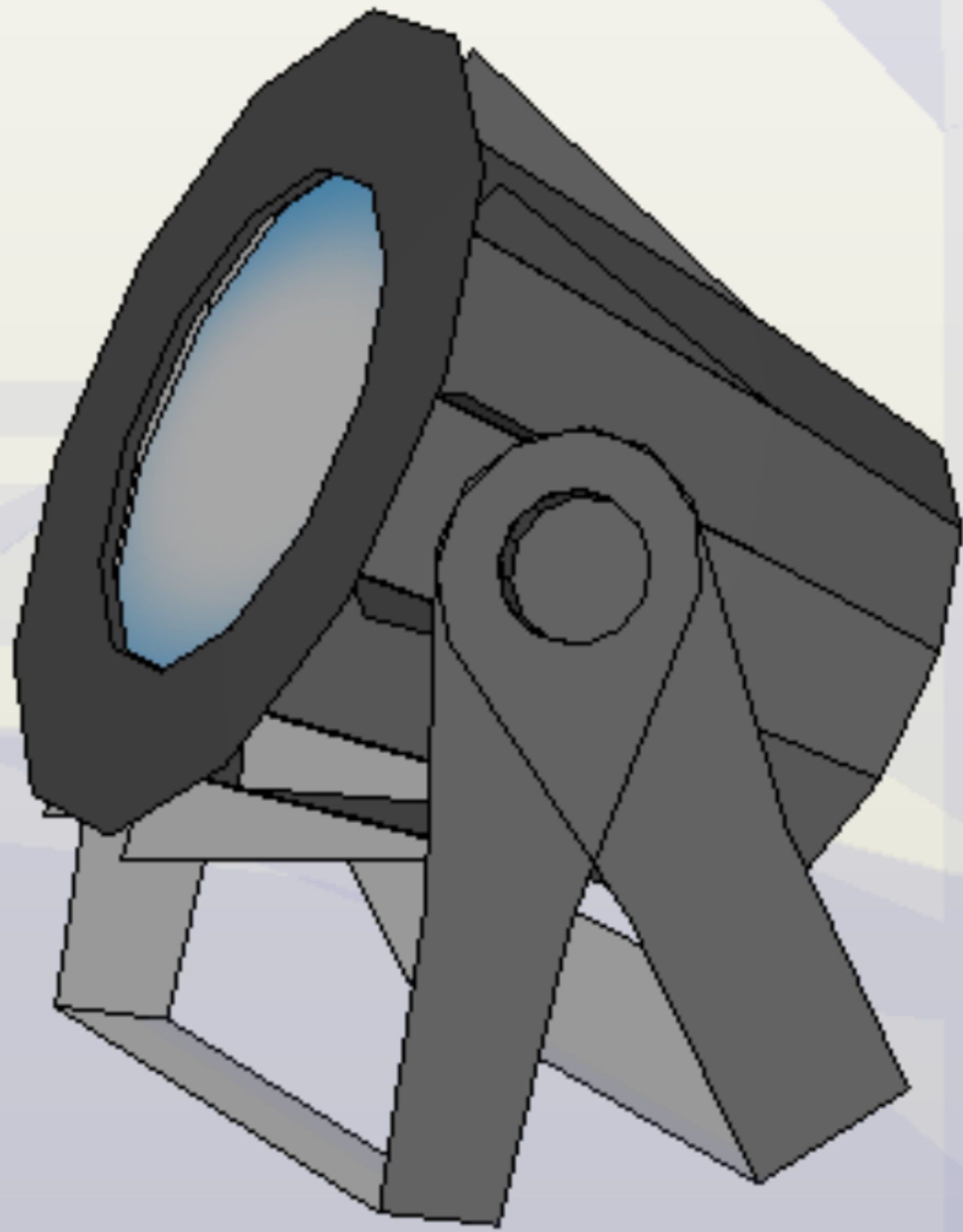






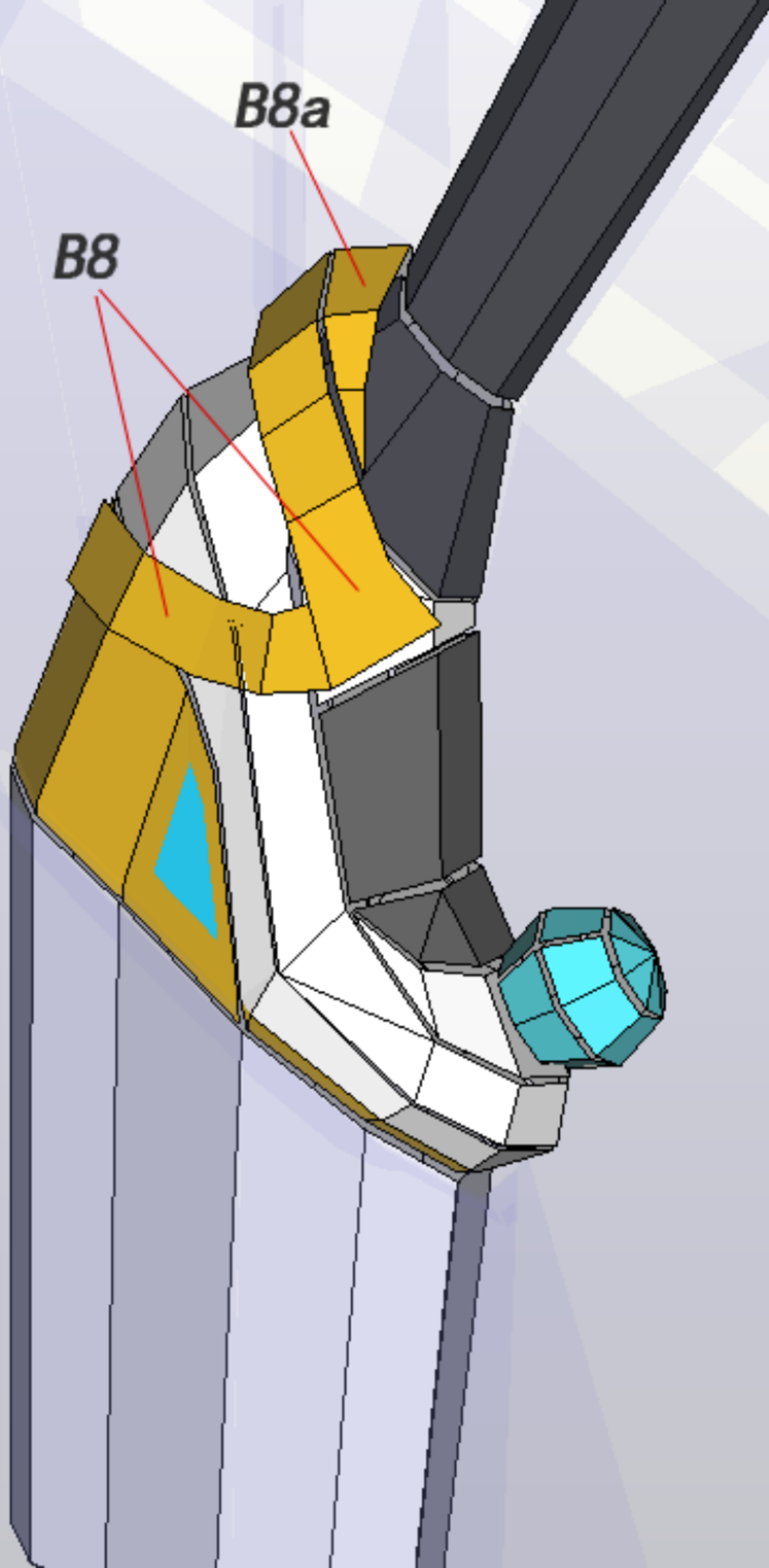






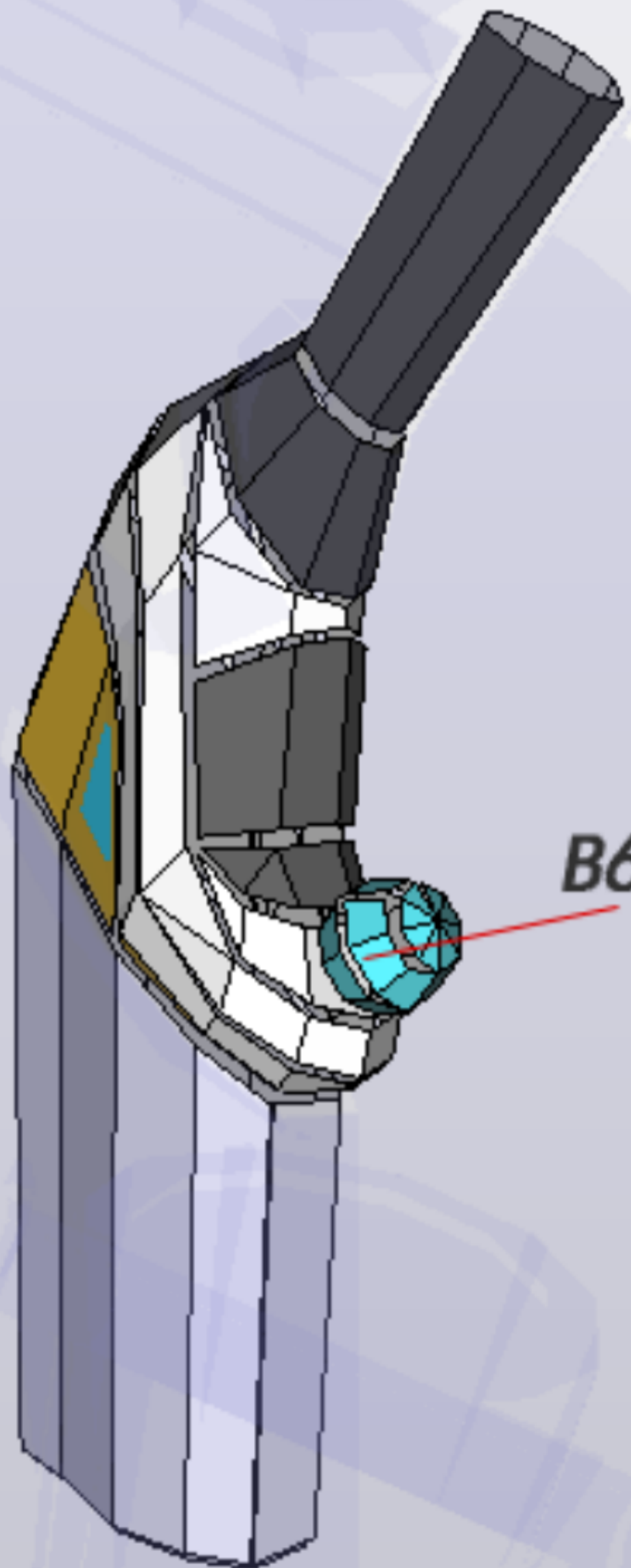
B1





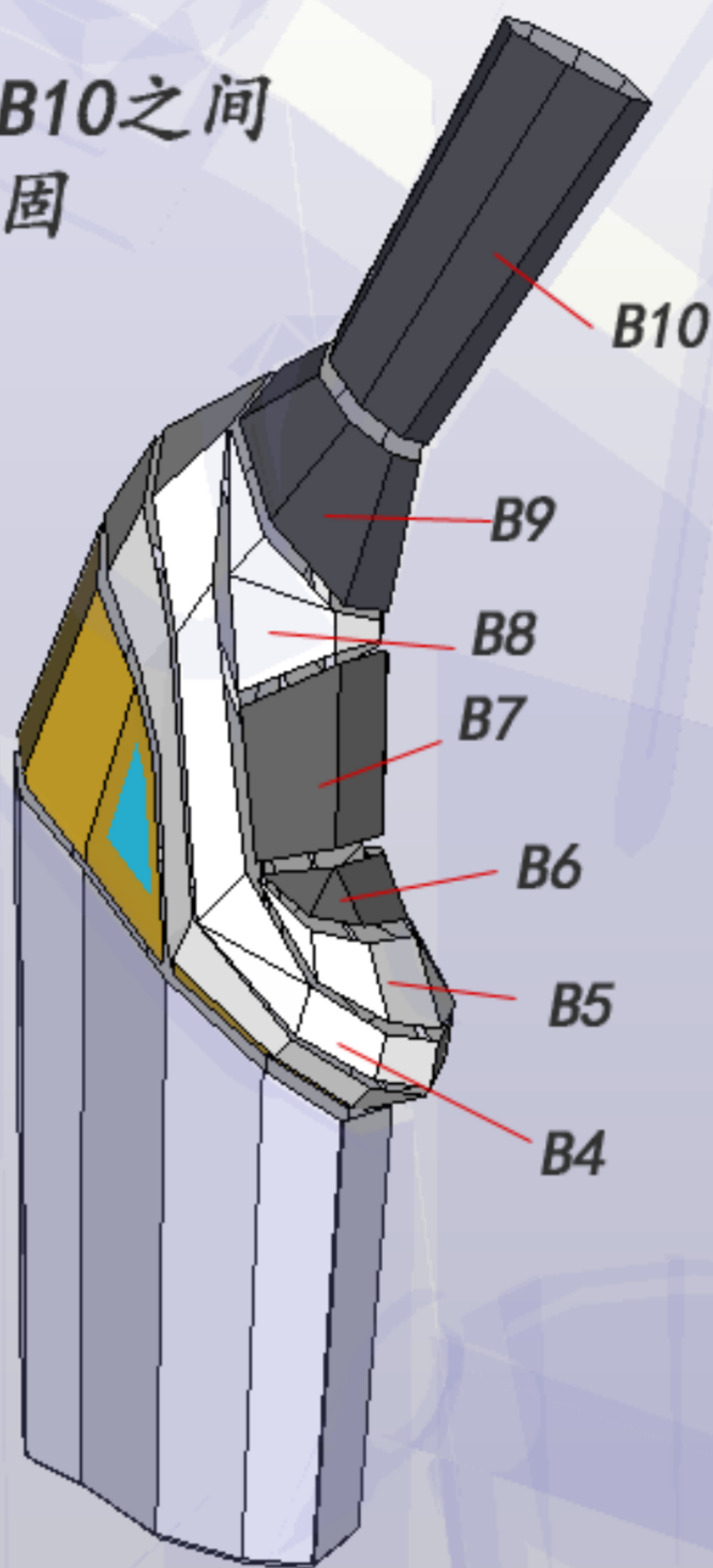
B8a

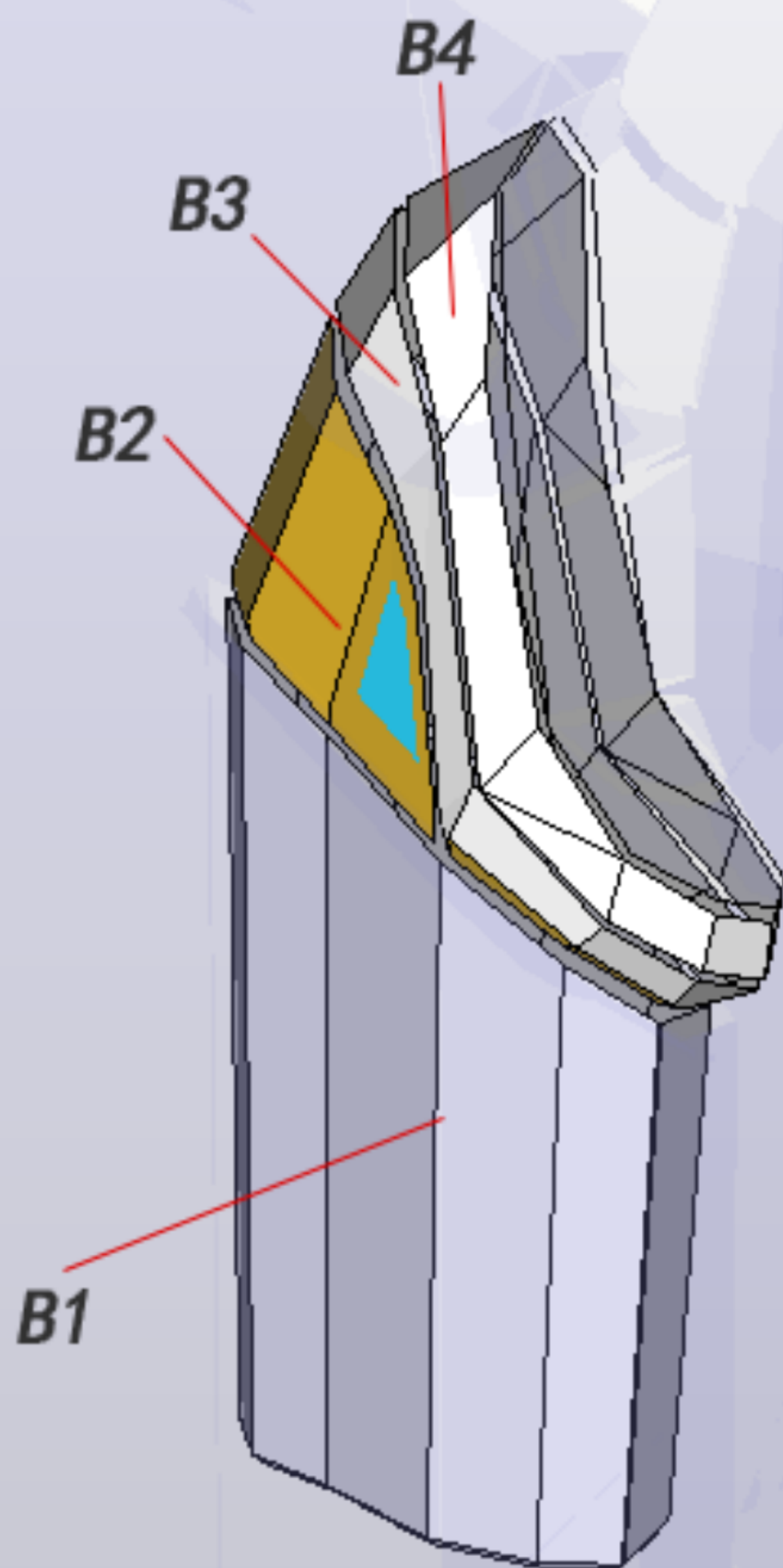
B8



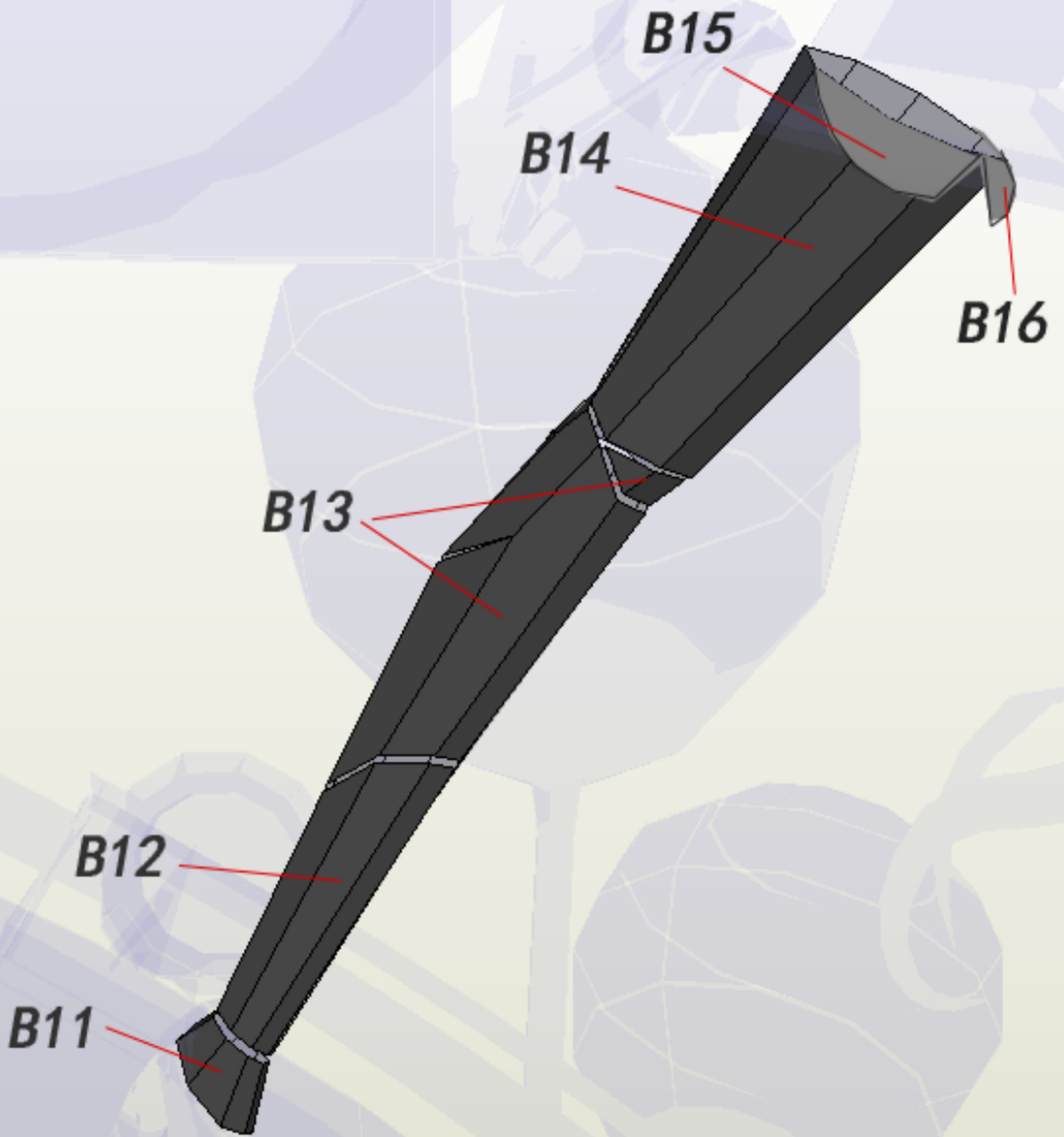
B6a

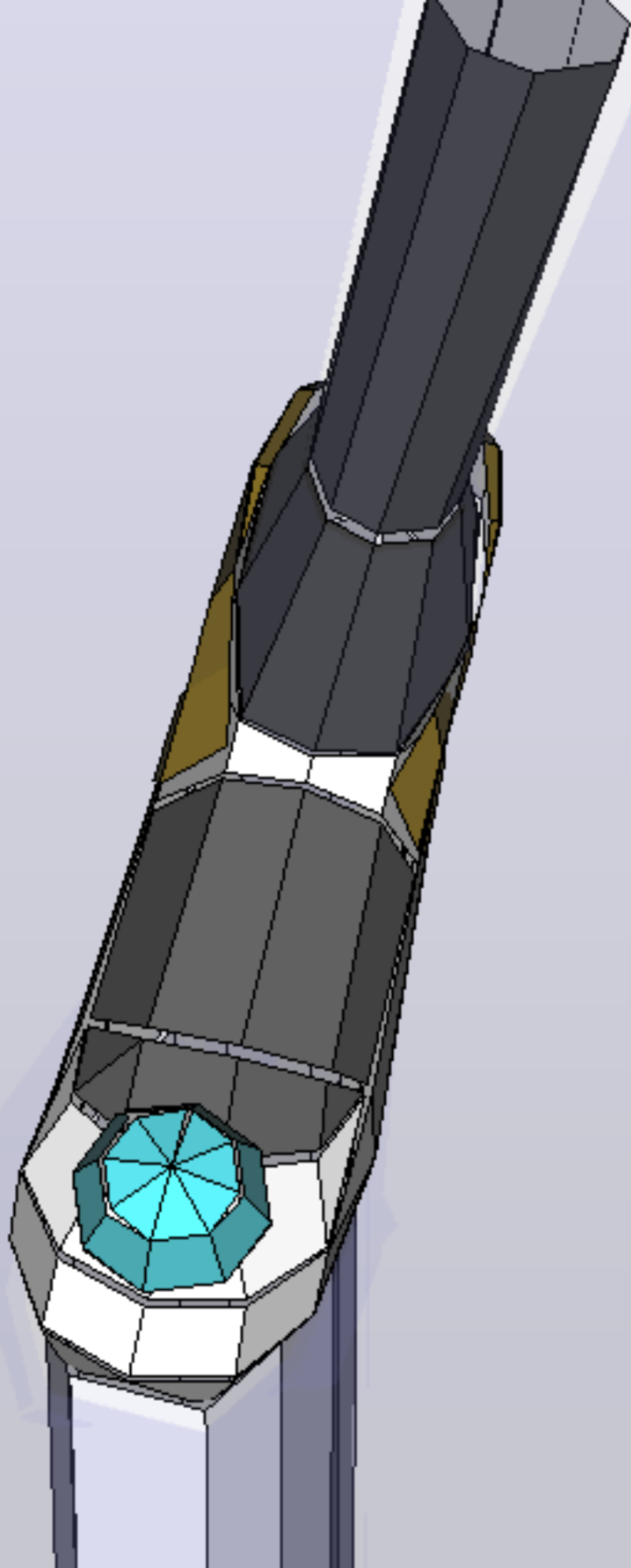
B8 B9 B10之间
做好加固

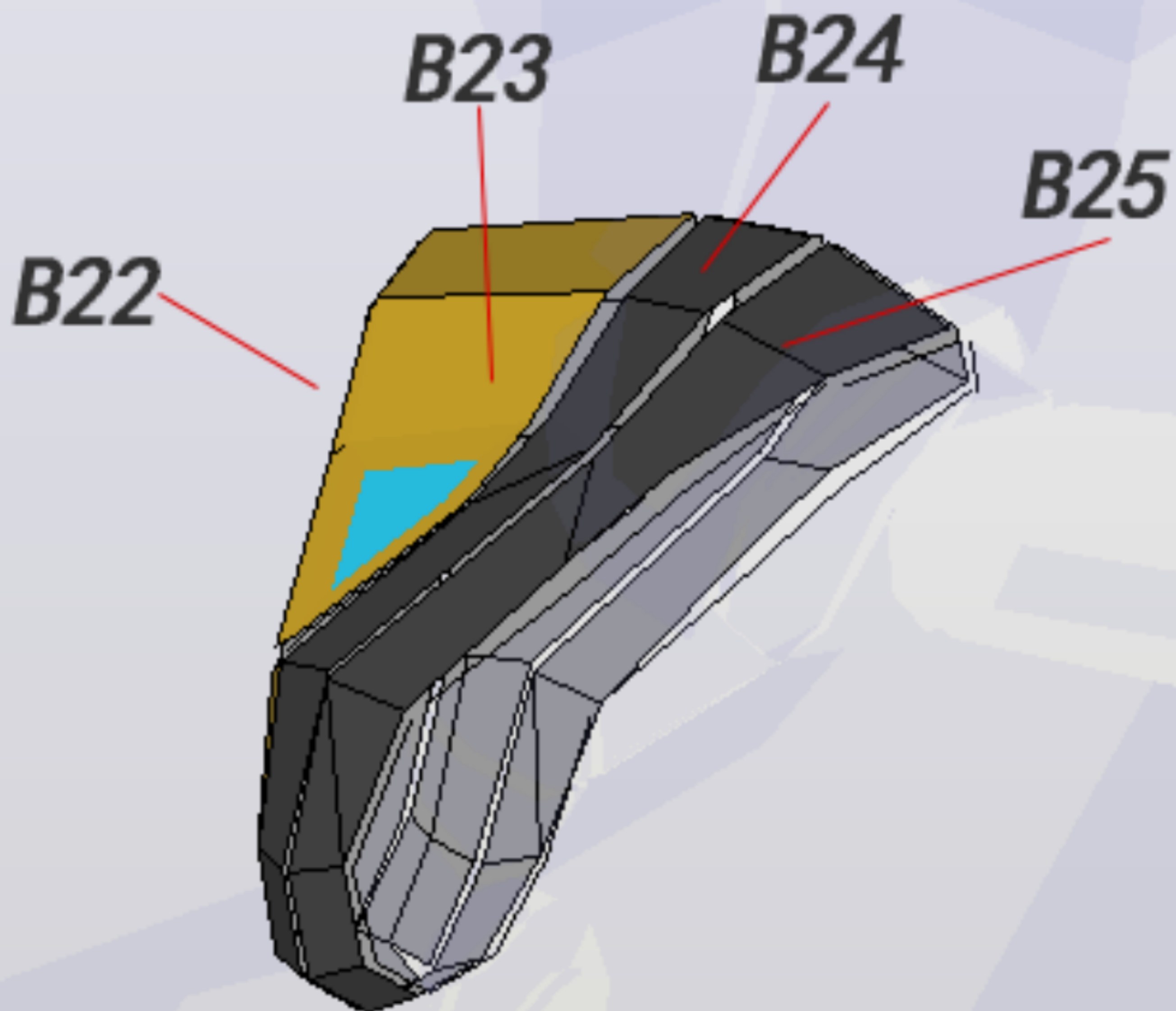




B1 B2 B3之间做下加固

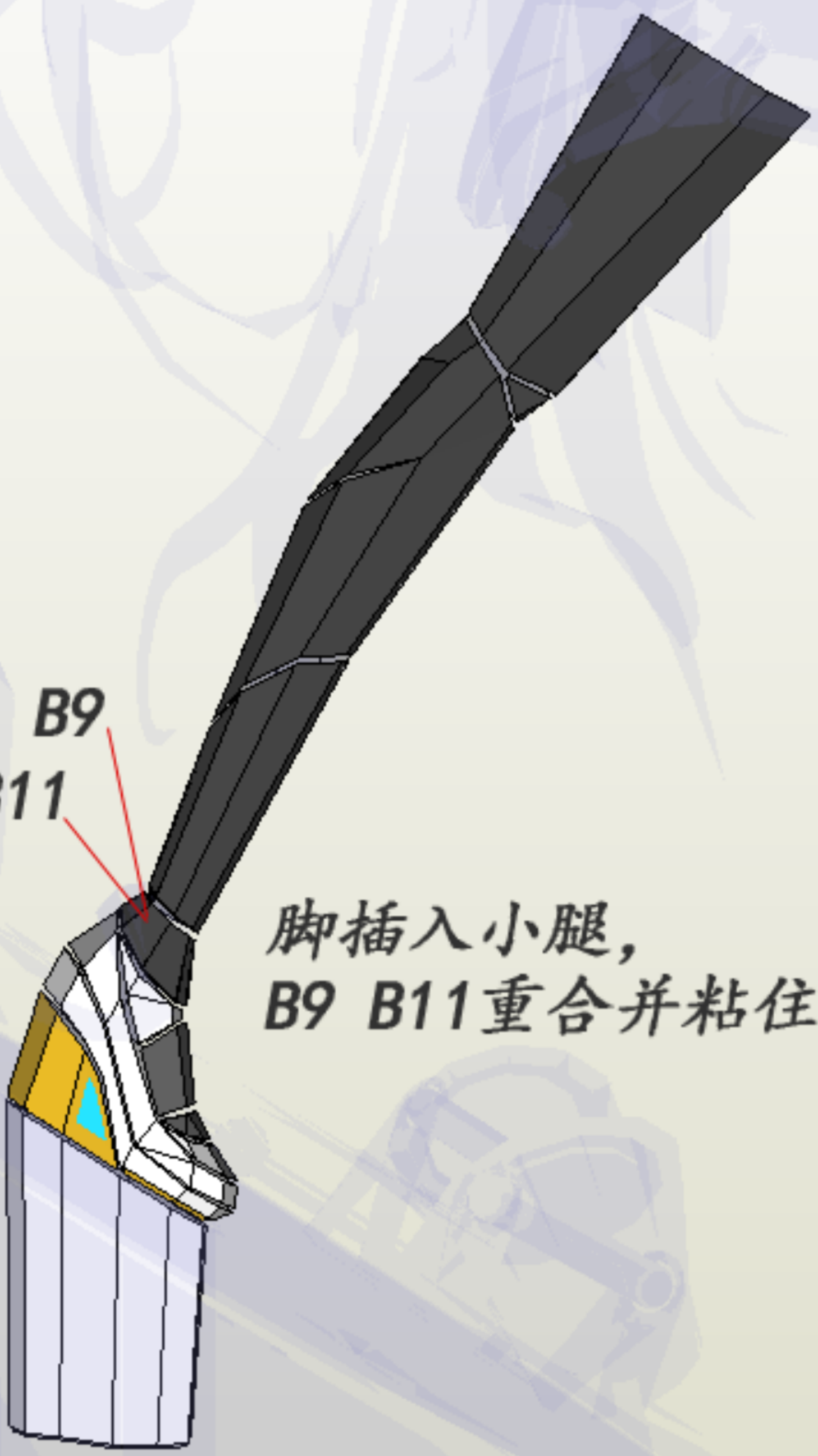






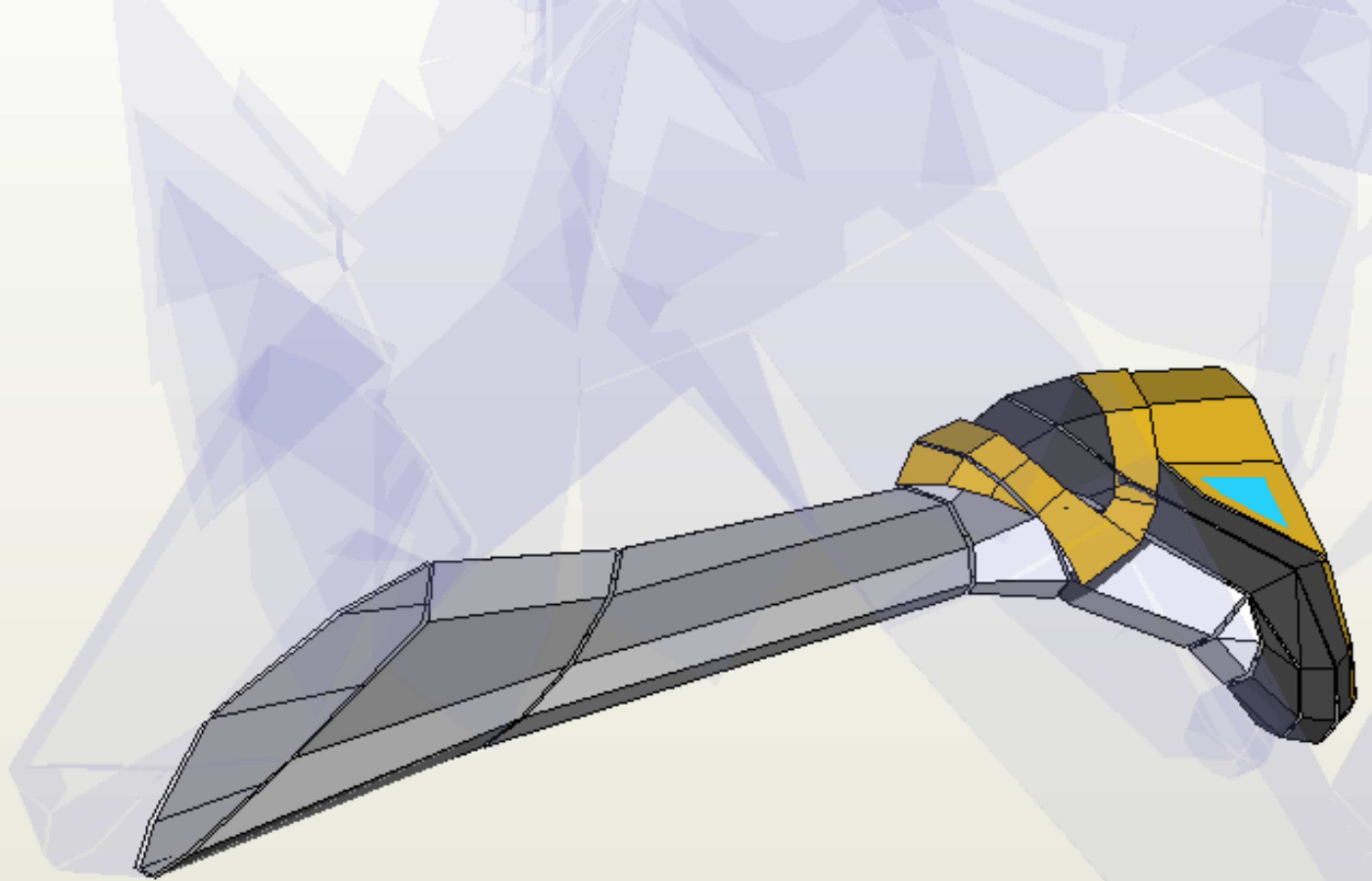
B22



A technical diagram showing a prosthetic leg assembly. A dark grey, tapered leg piece is being inserted into the lower part of a prosthetic foot. The foot has a light blue base, a white upper section, and a yellow/orange section. A red line points to the junction where the leg piece meets the foot. Labels 'B9' and 'B11' are positioned near this junction. The background features faint, stylized mechanical gear patterns.

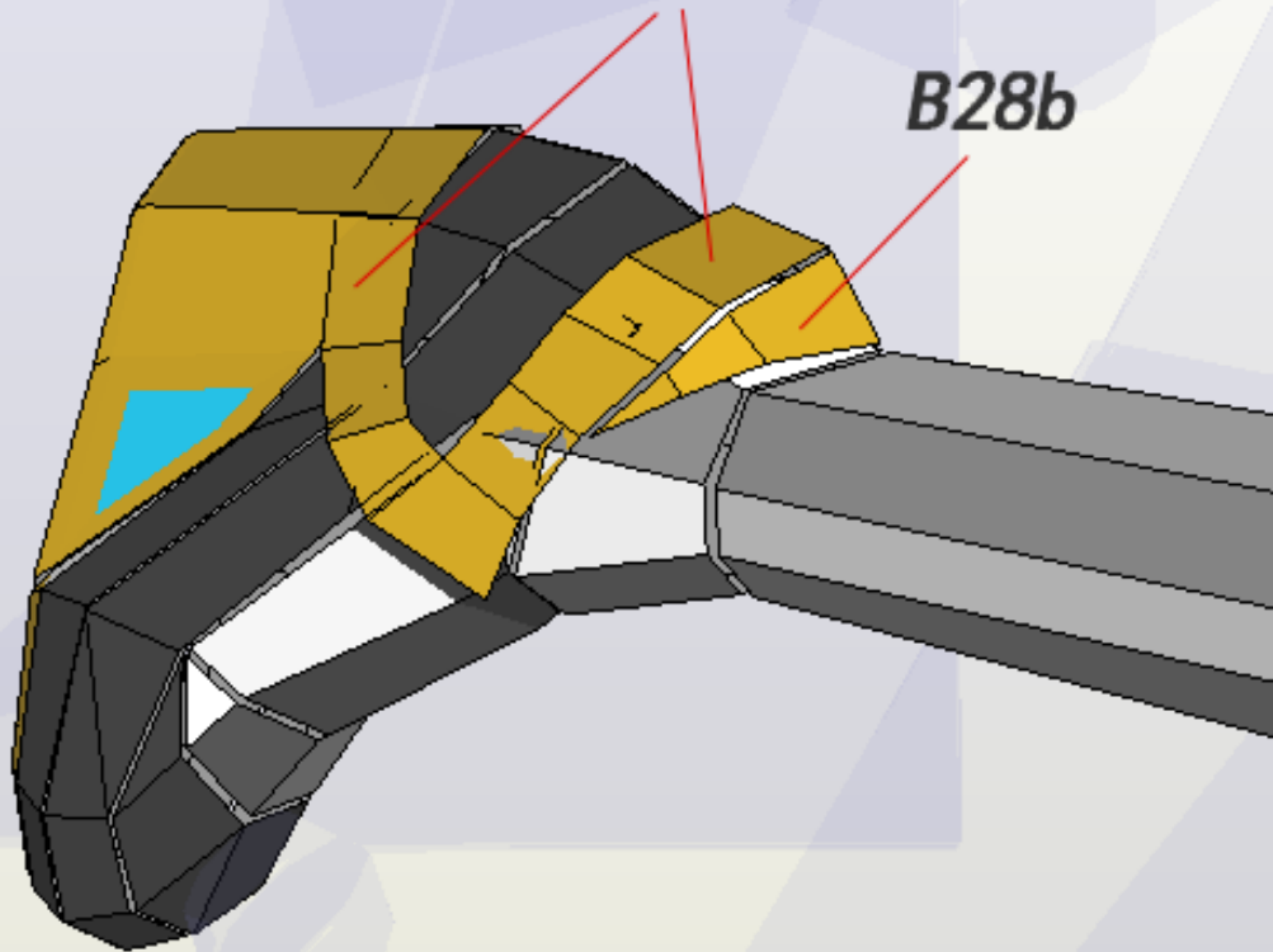
B9
B11

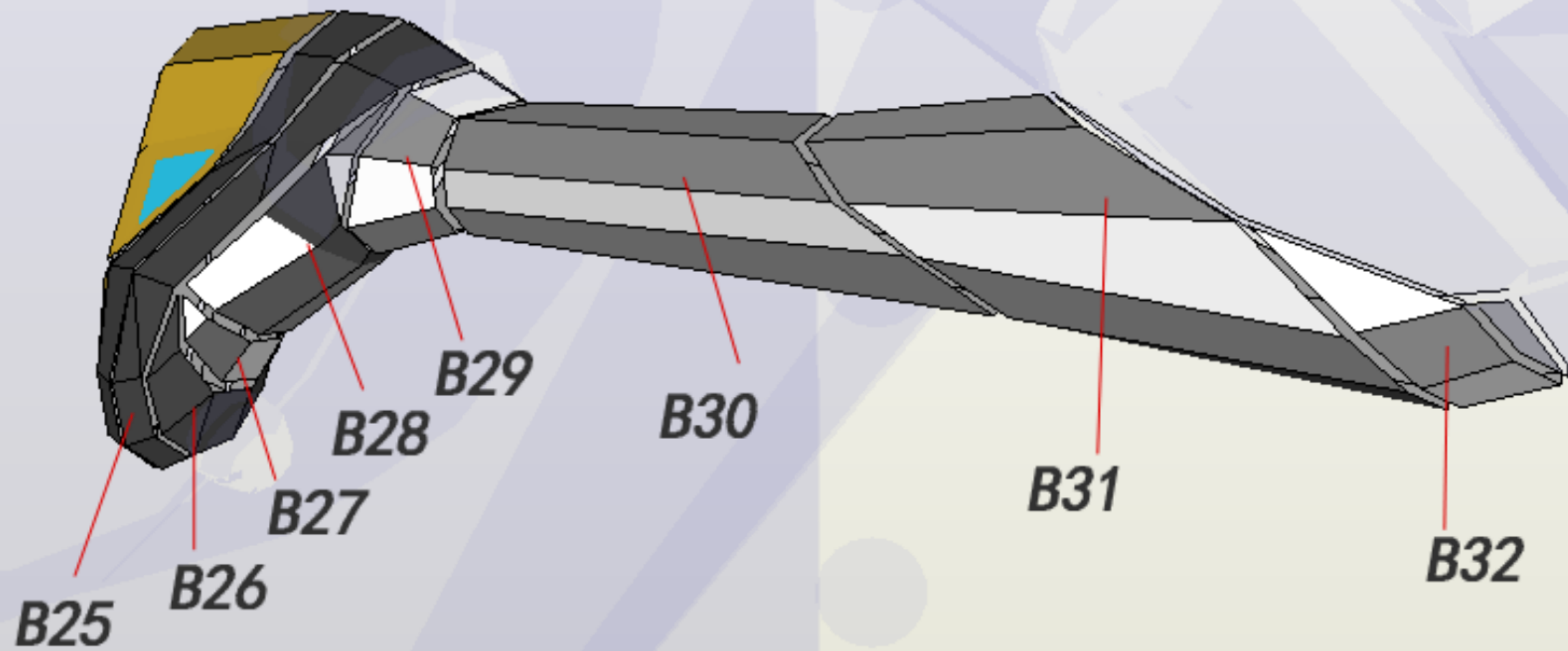
脚插入小腿，
B9 B11重合并粘住

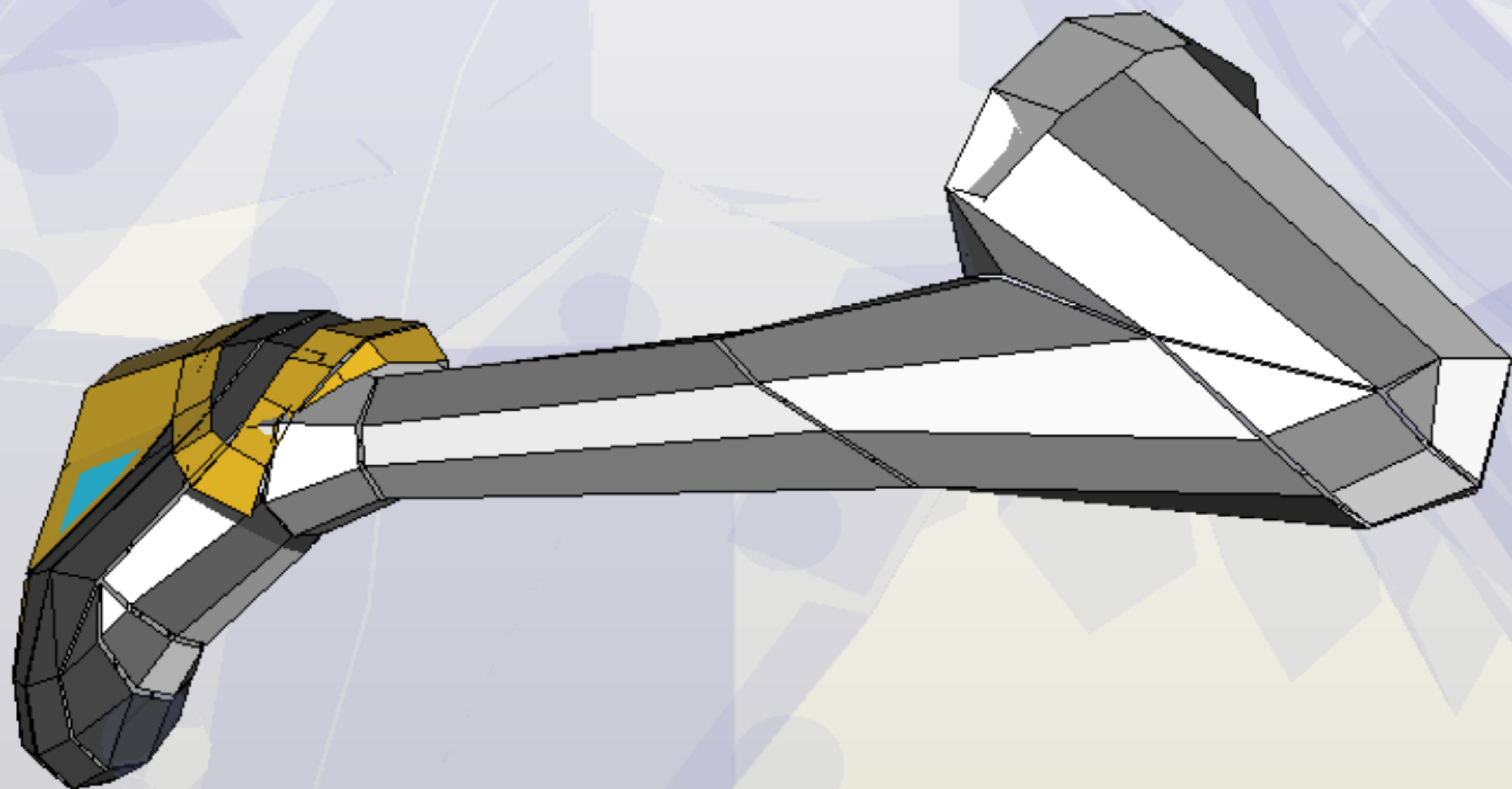


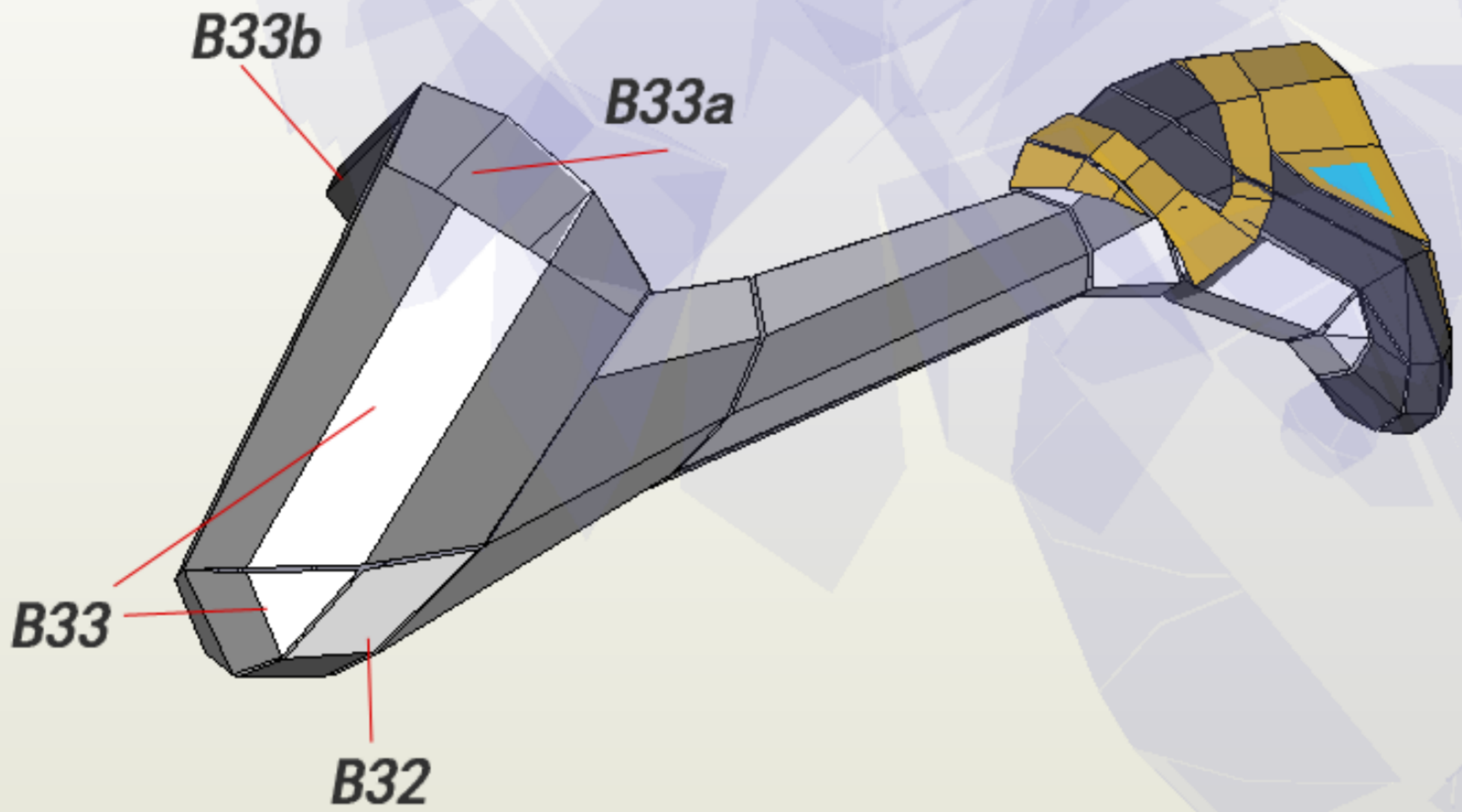
B28a

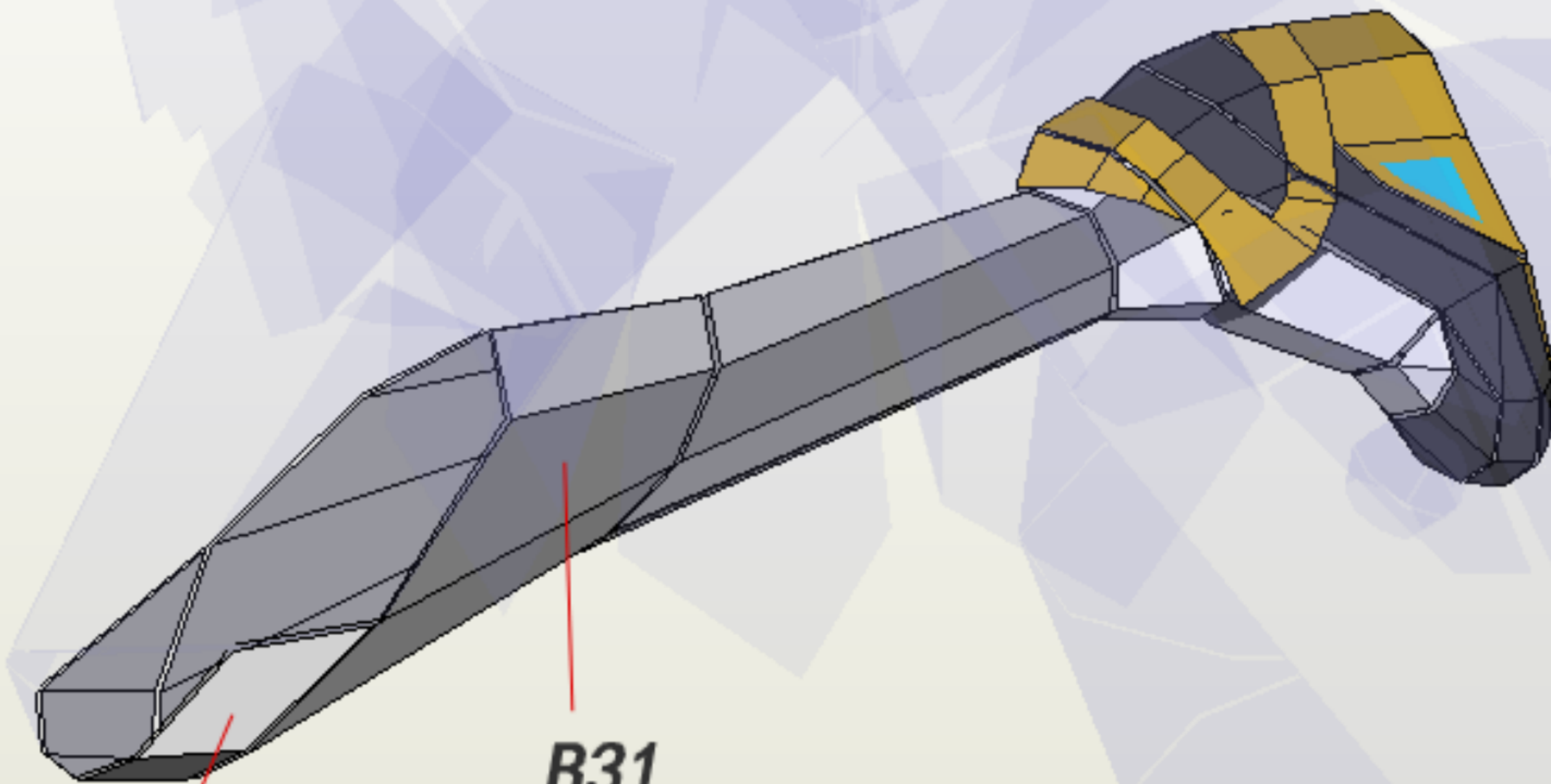
B28b





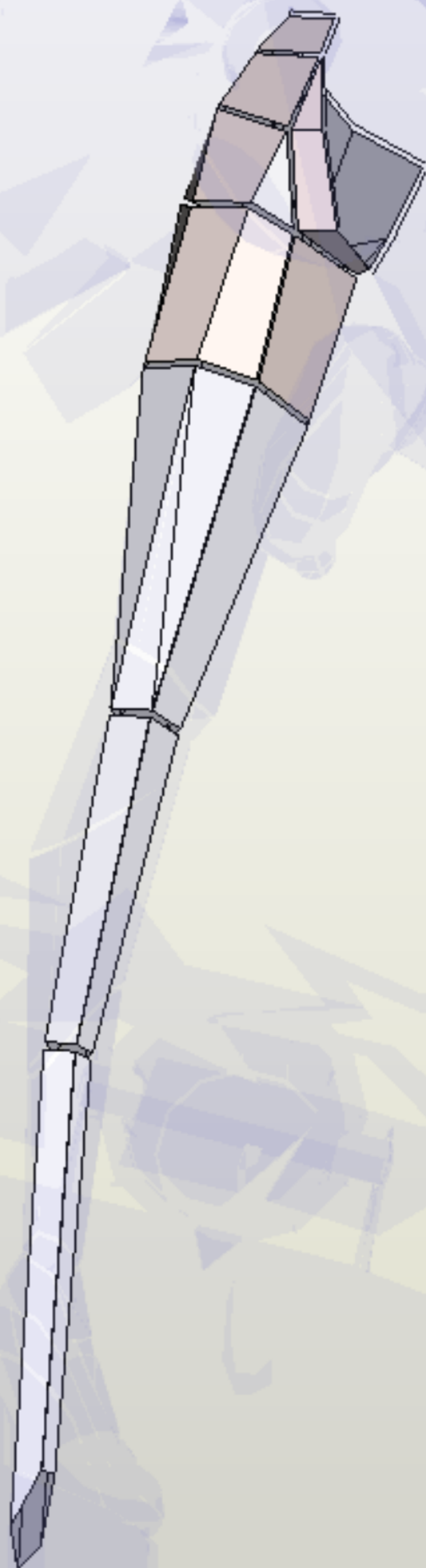


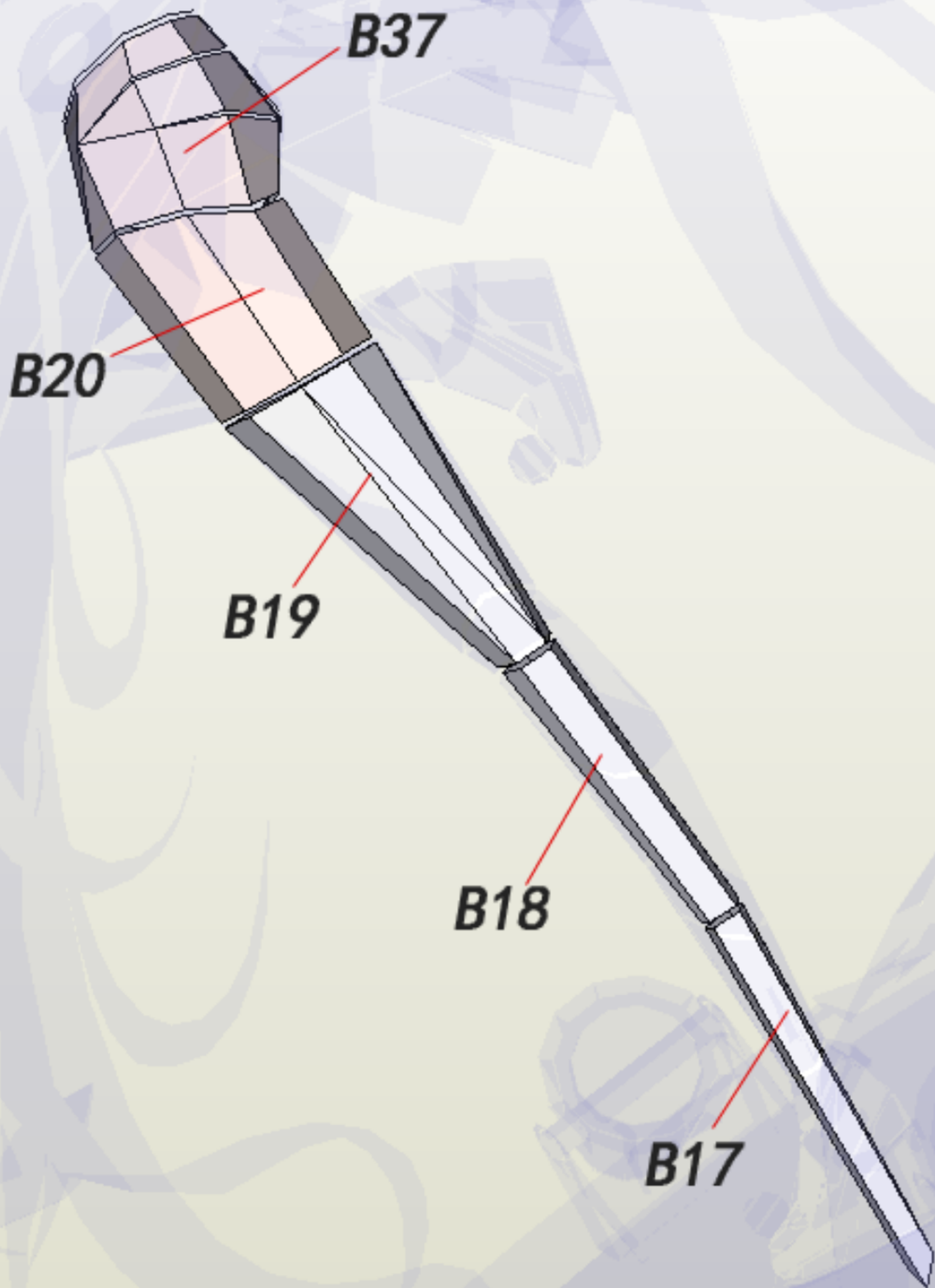




B32

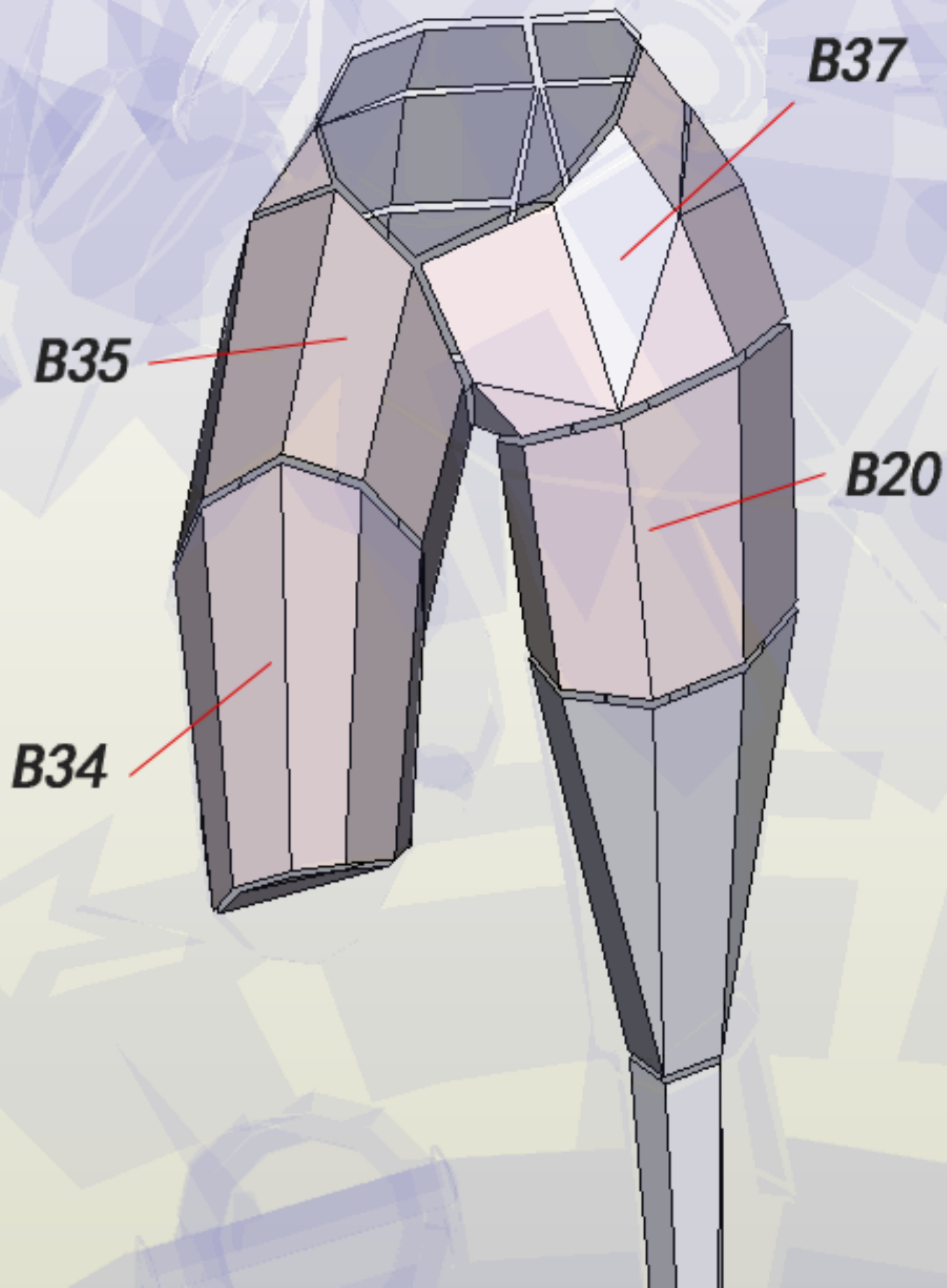
B31





B17 B18 B19
做好加固

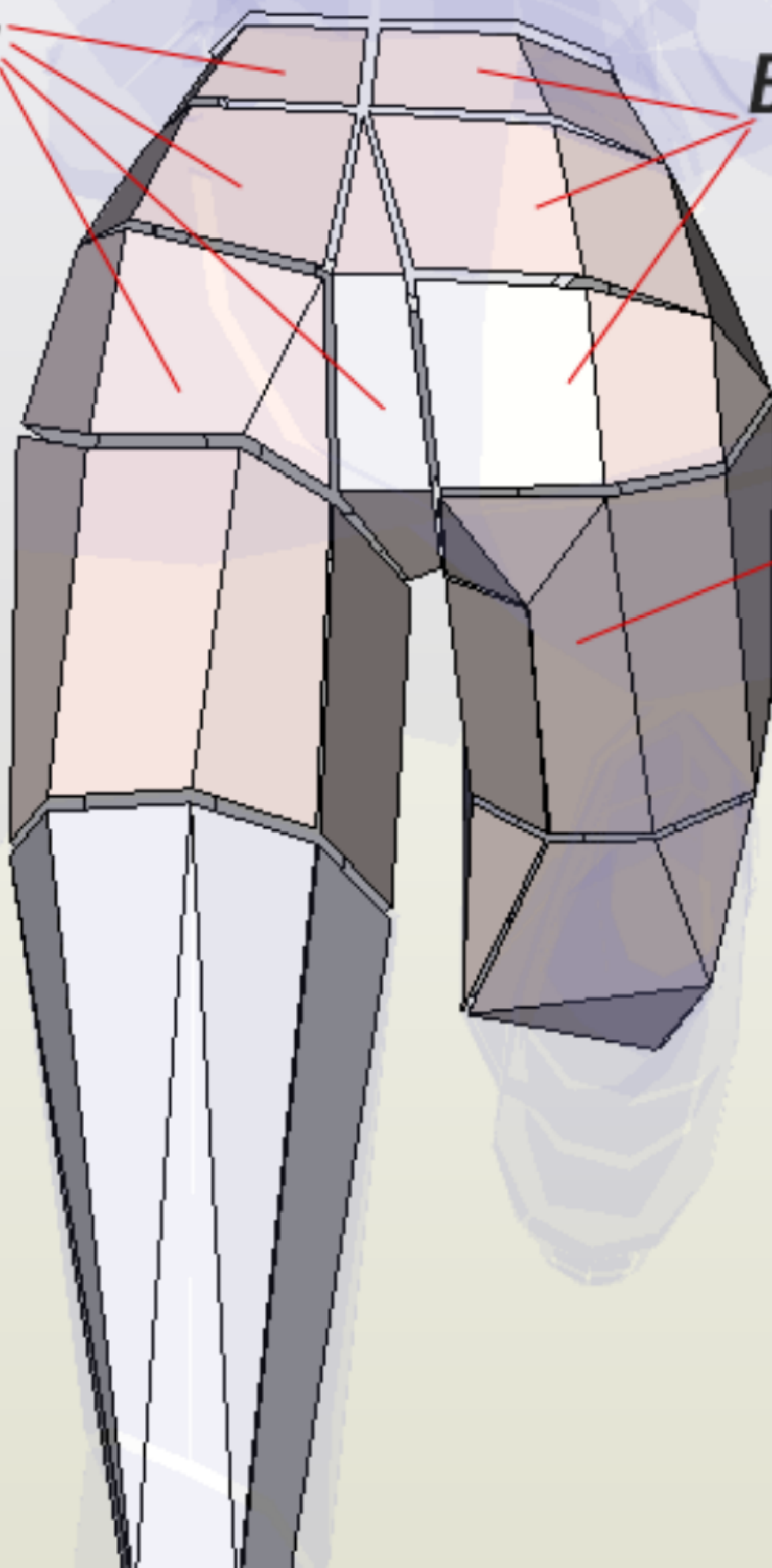




B37

B36

B35

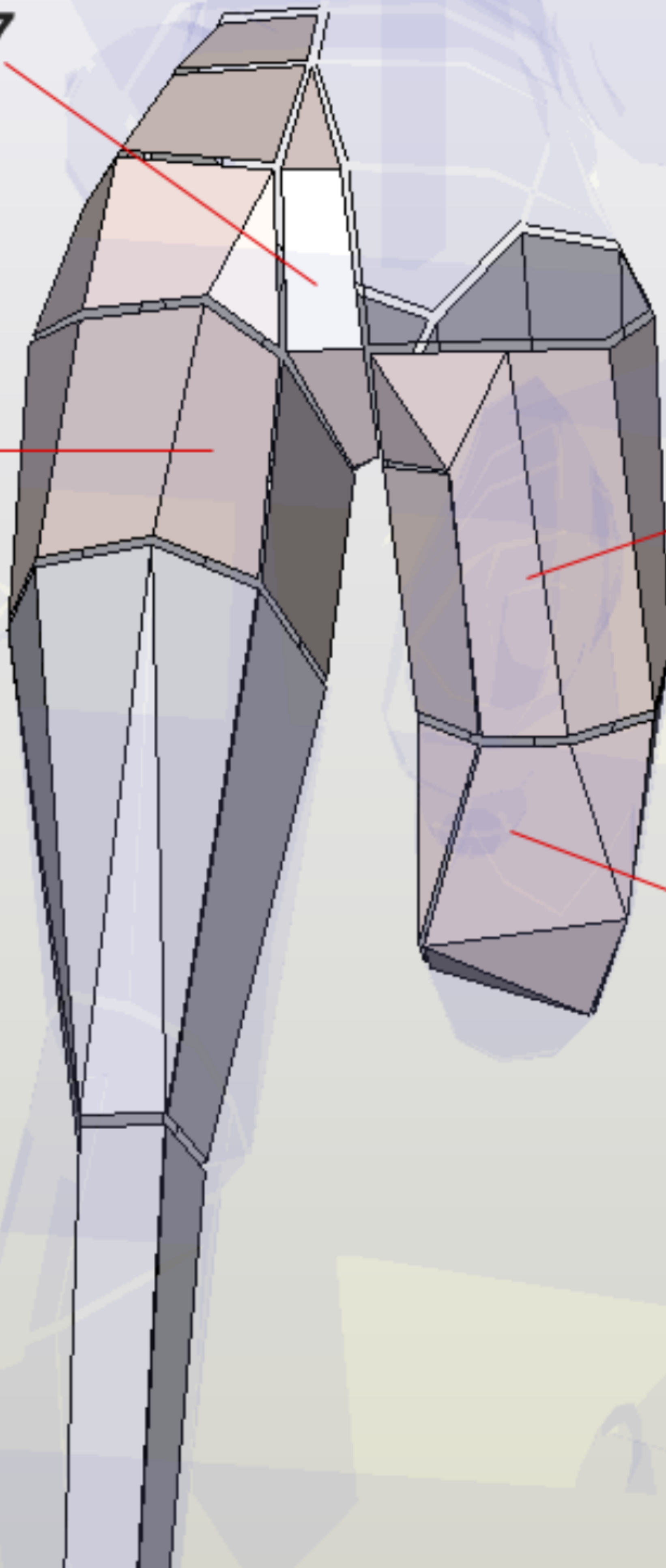


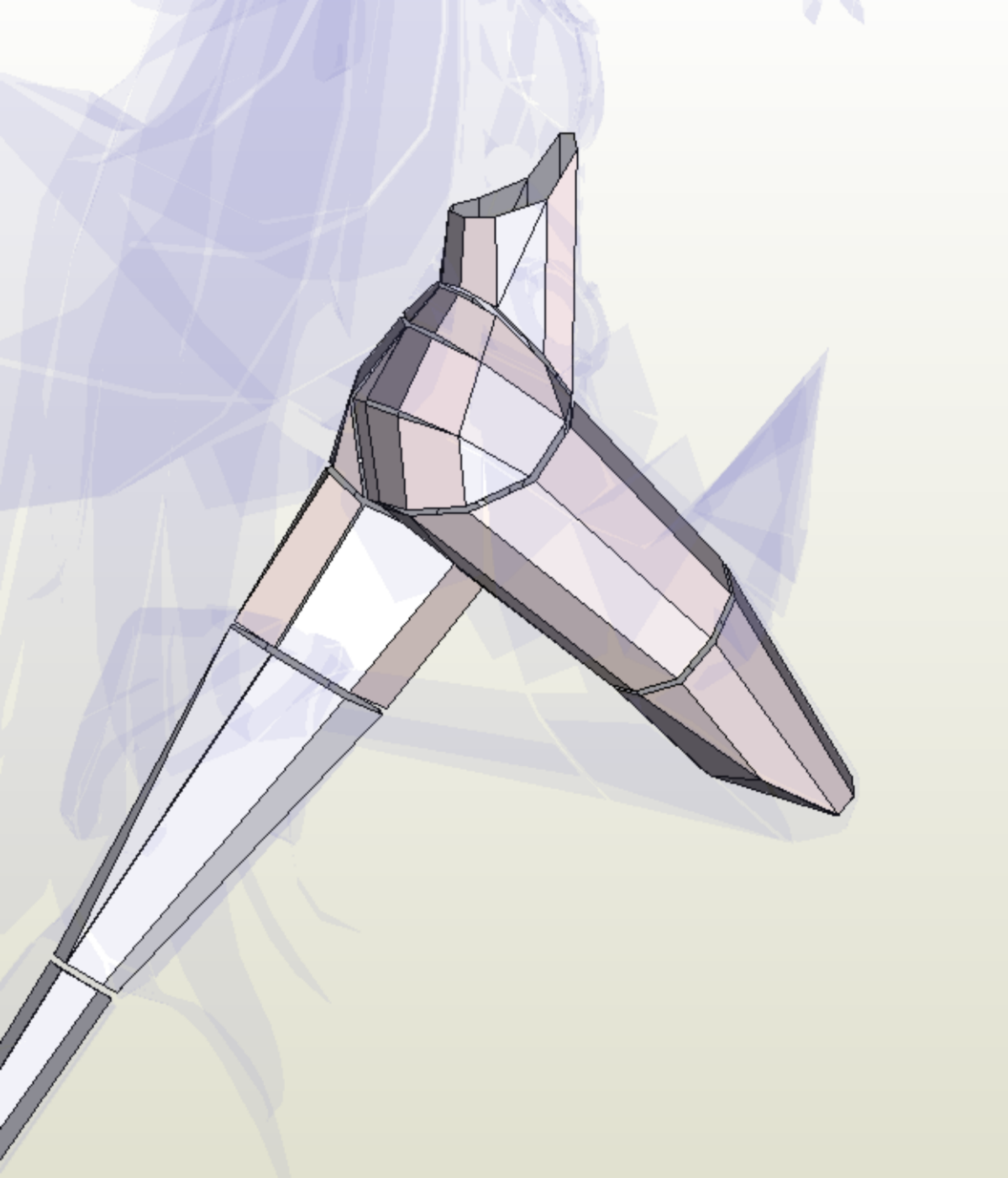
B37

B20

B35

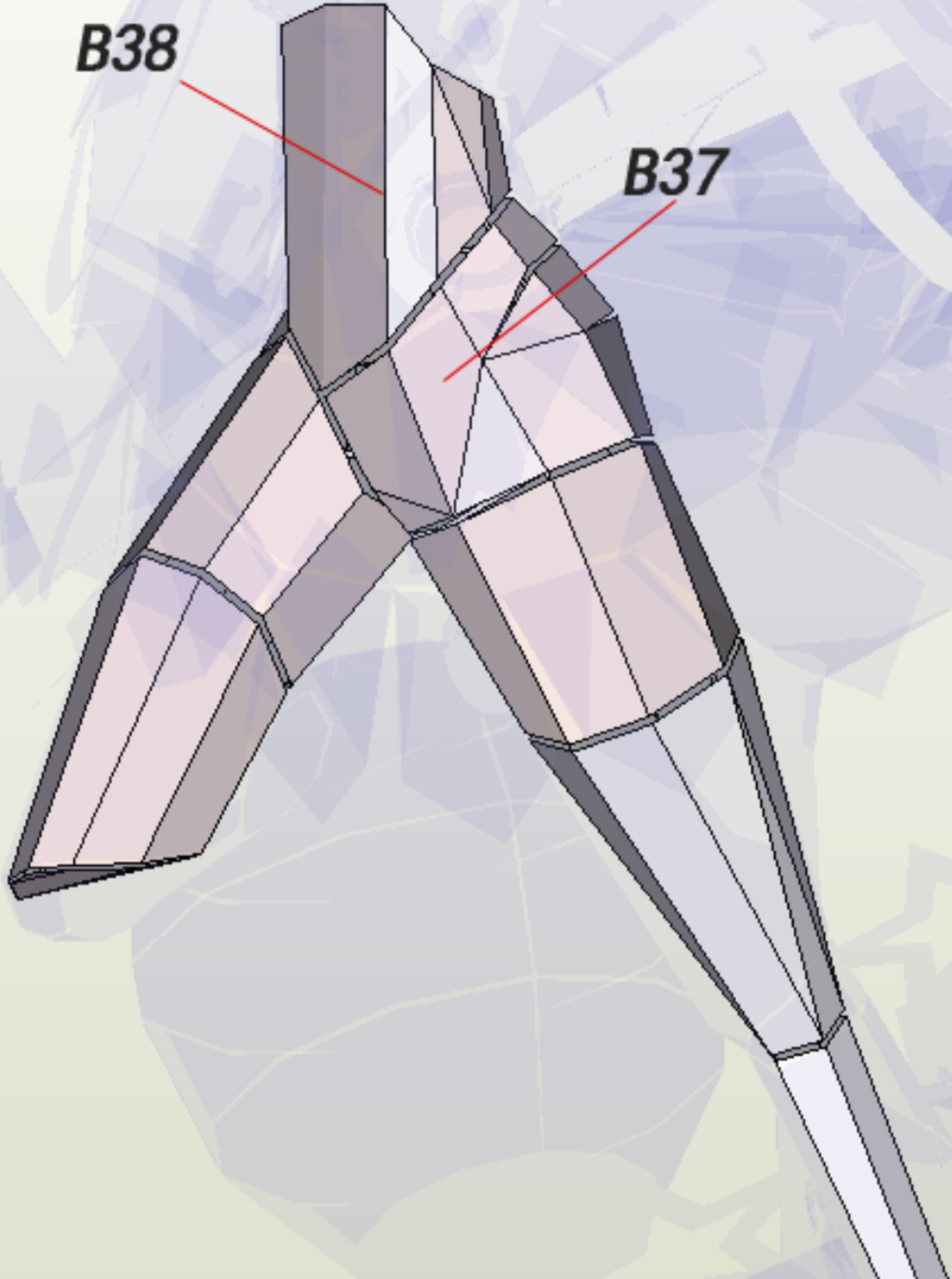
B34

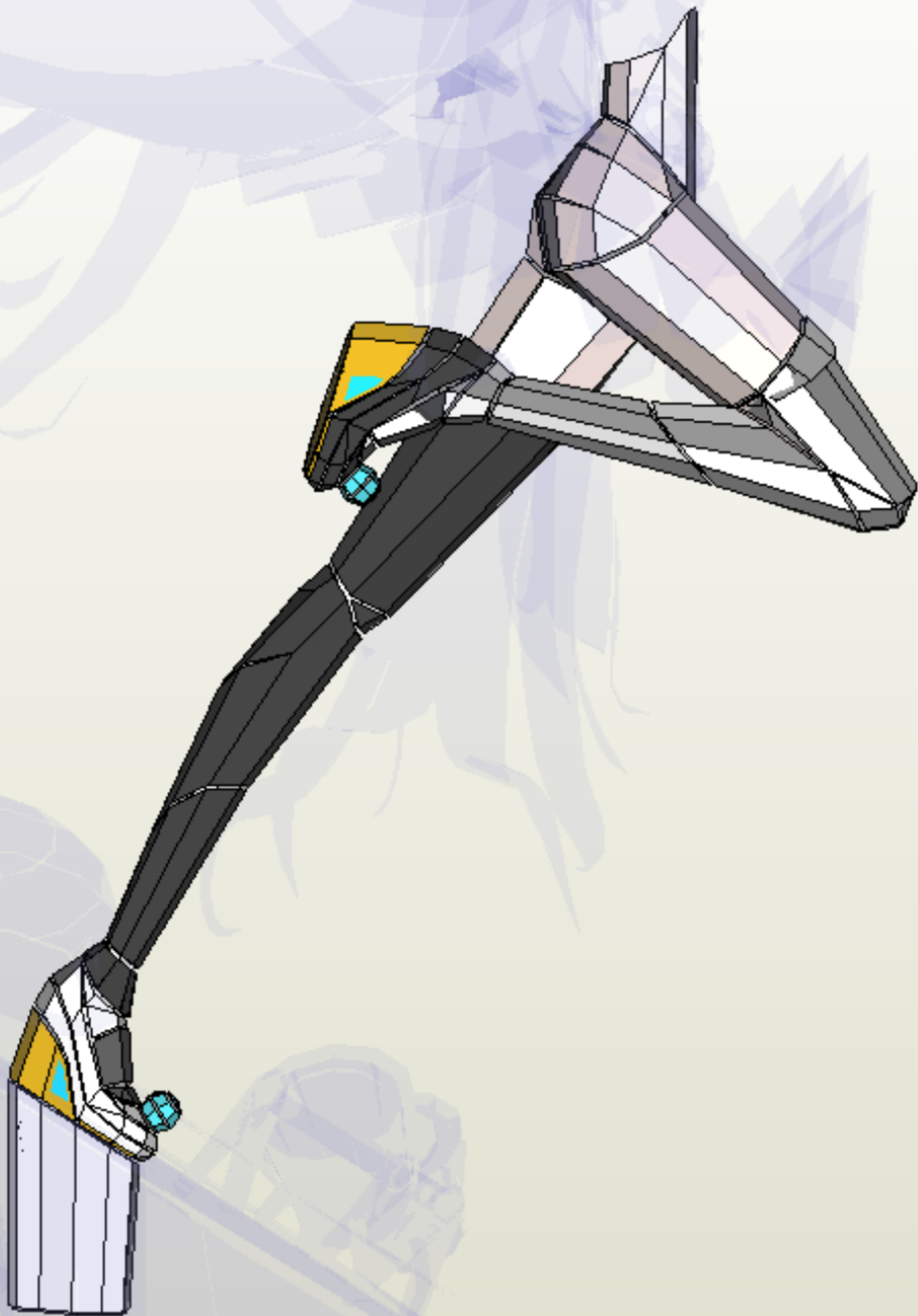


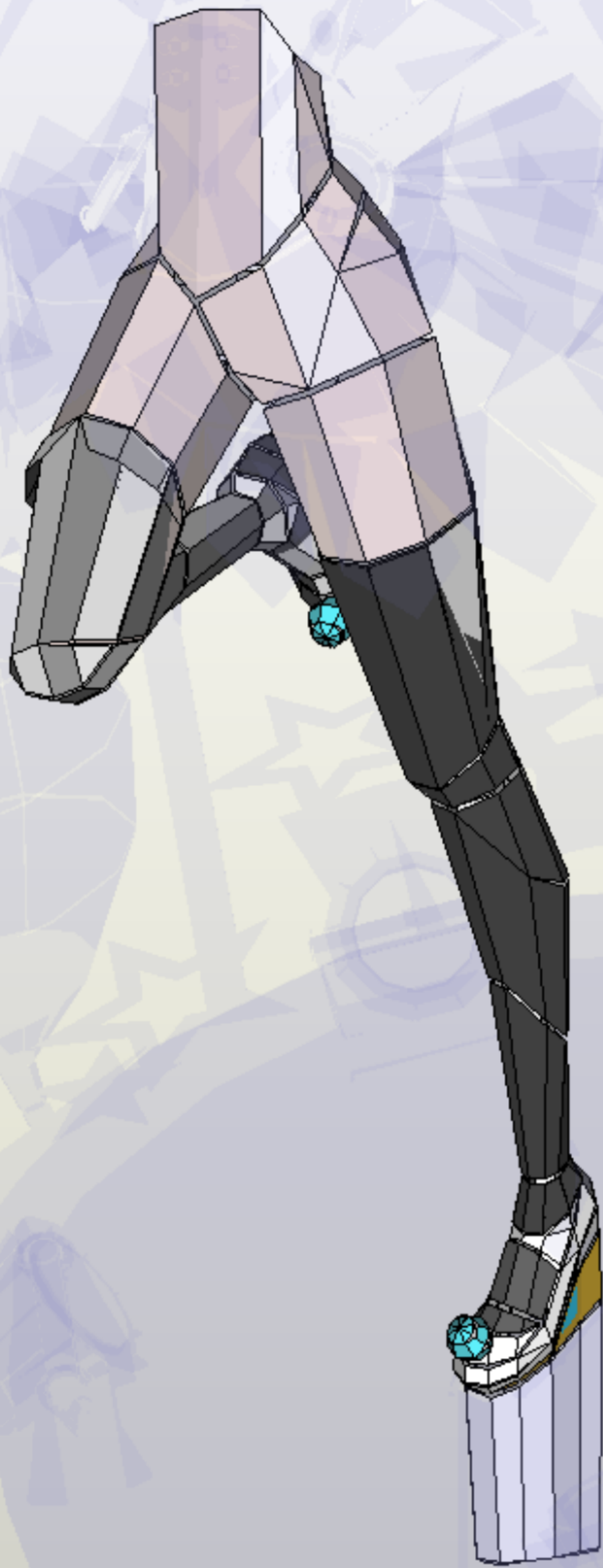


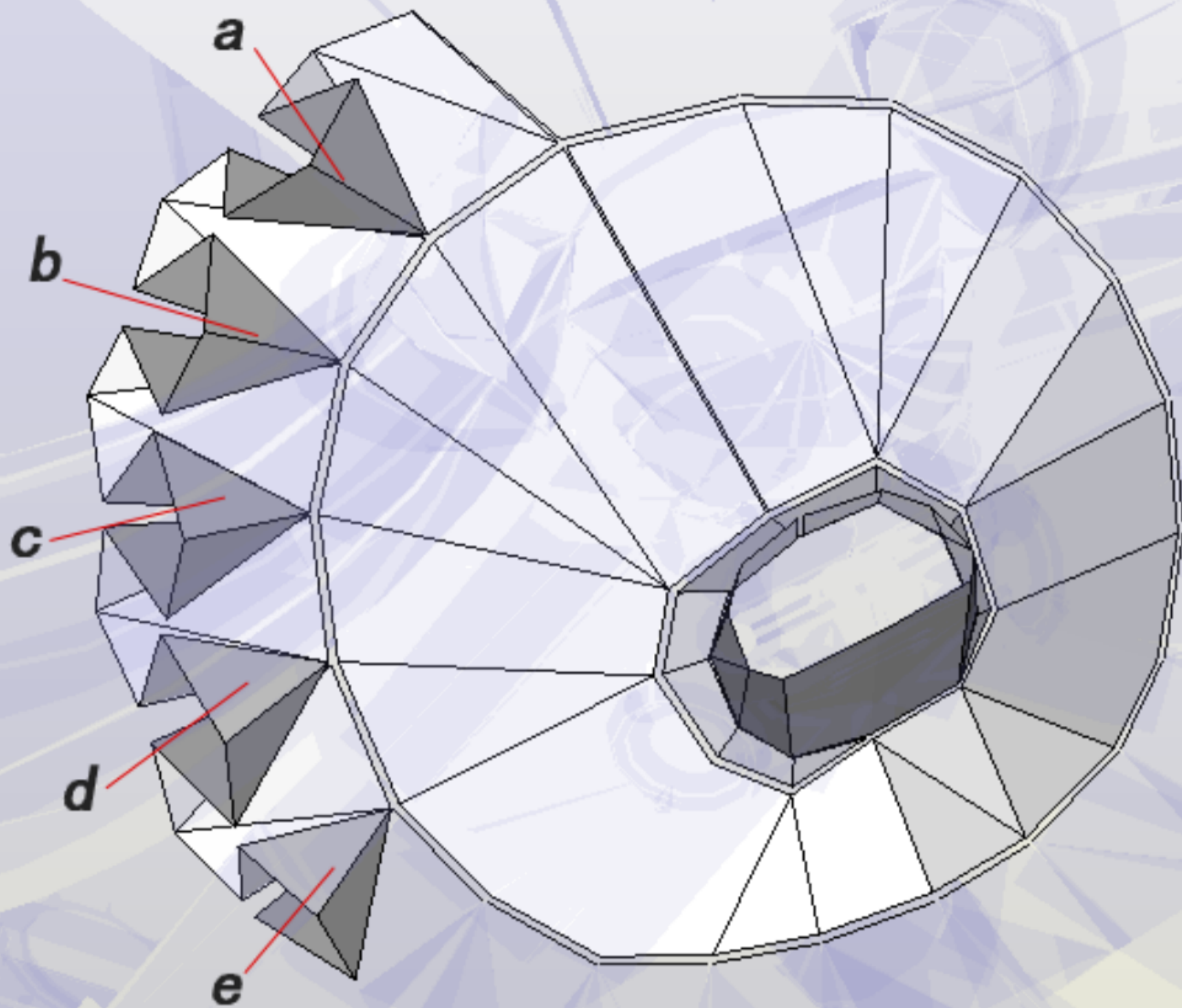
B38

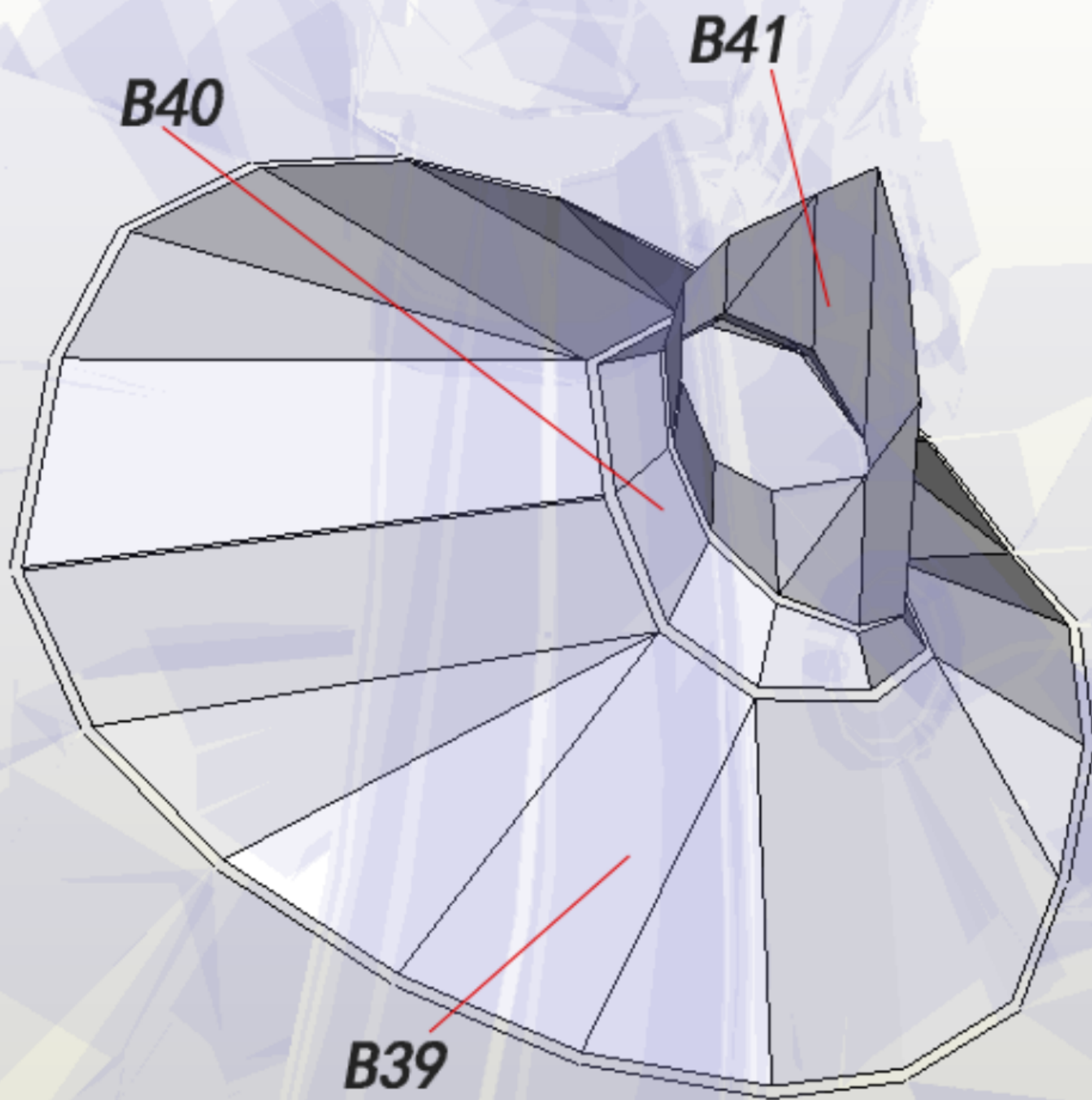
B37









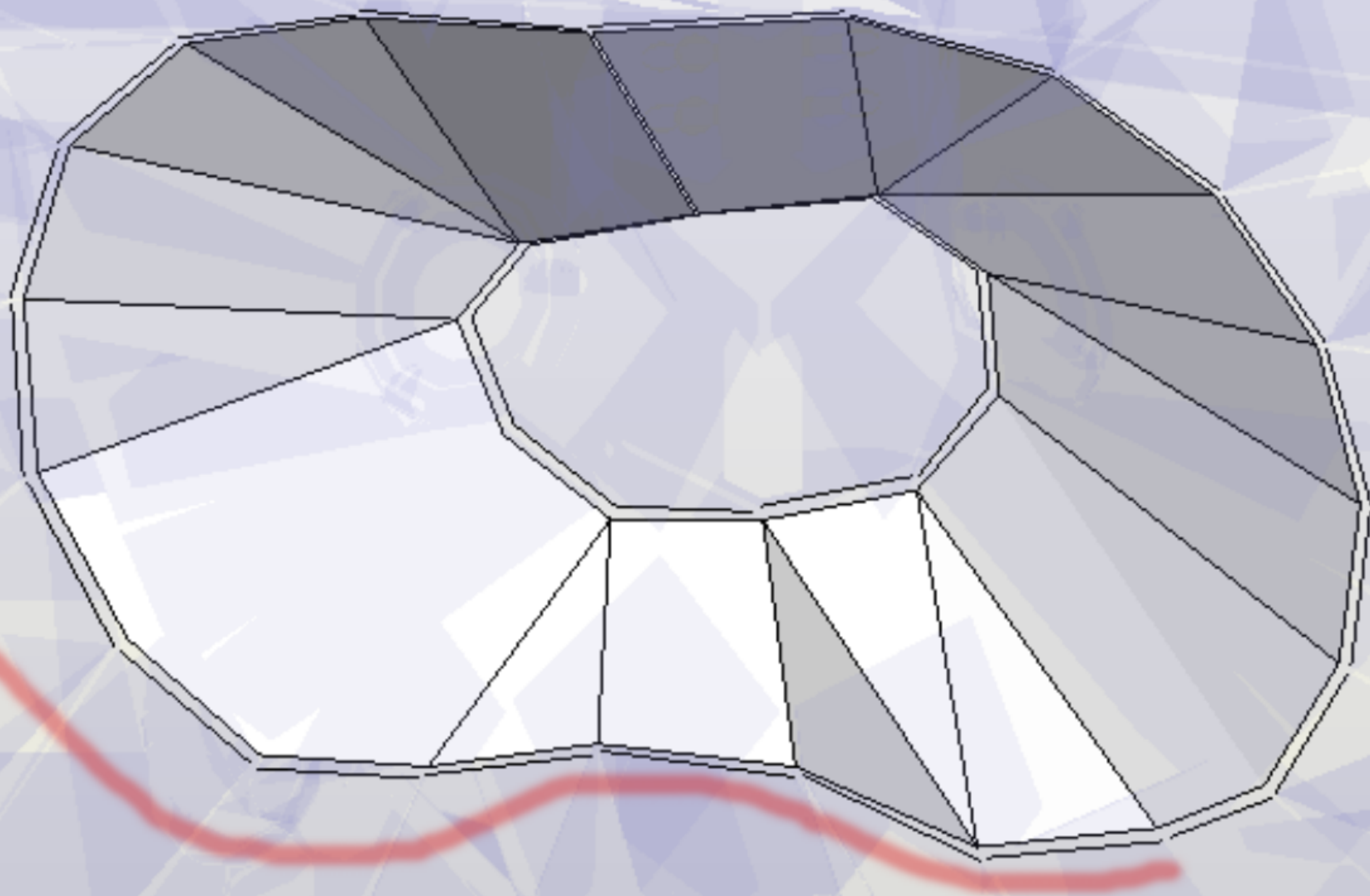


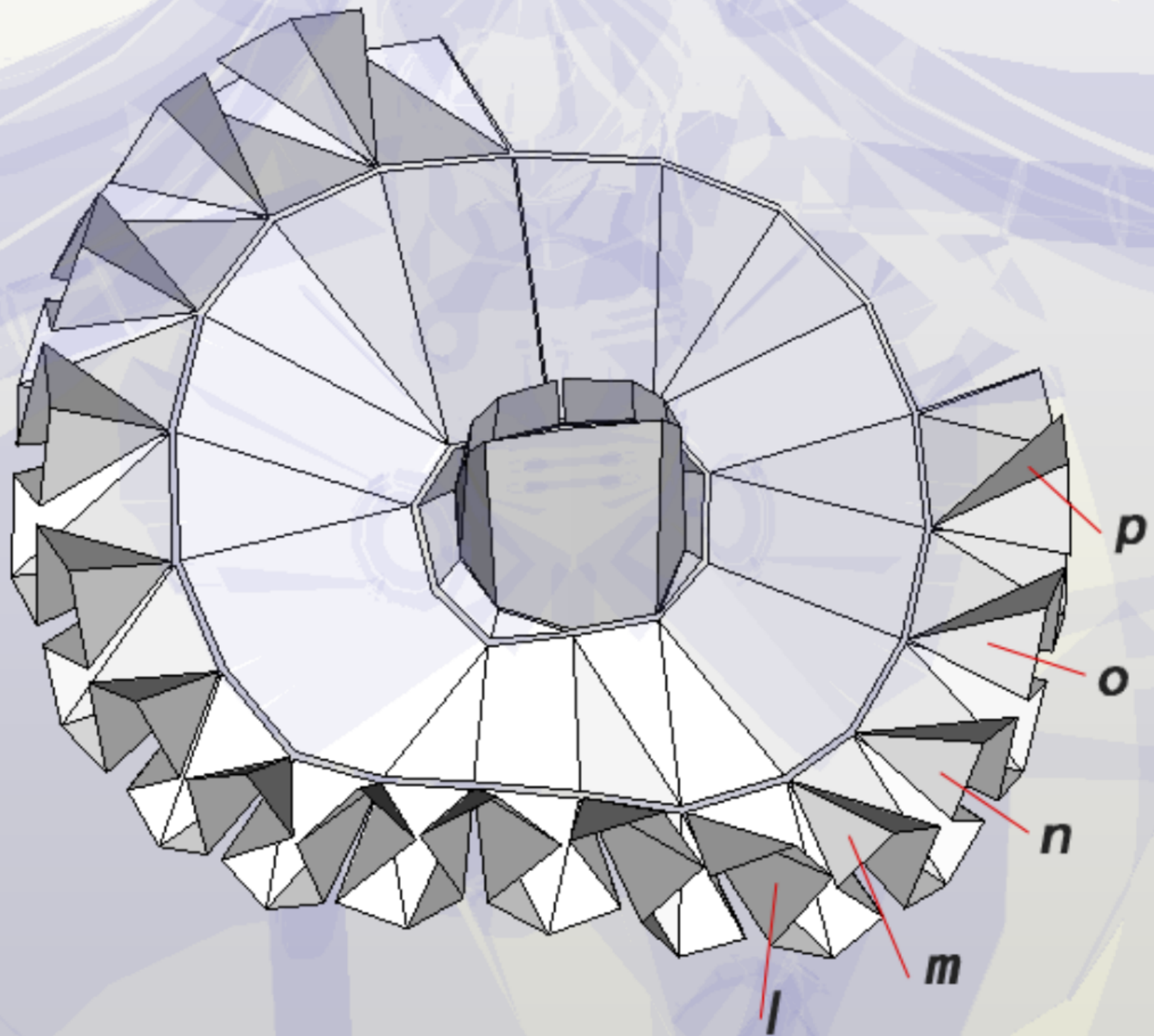
B40

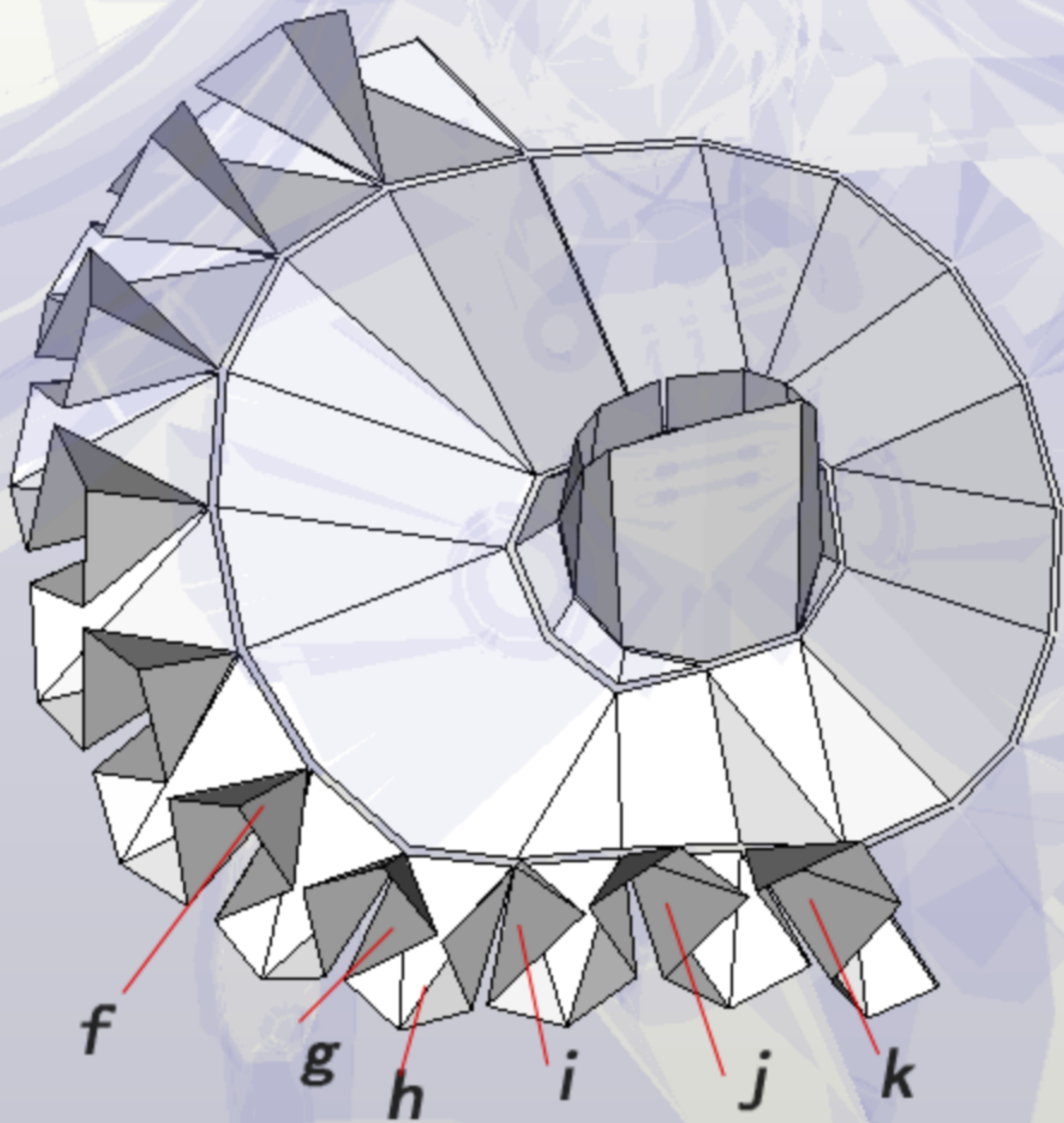
B41

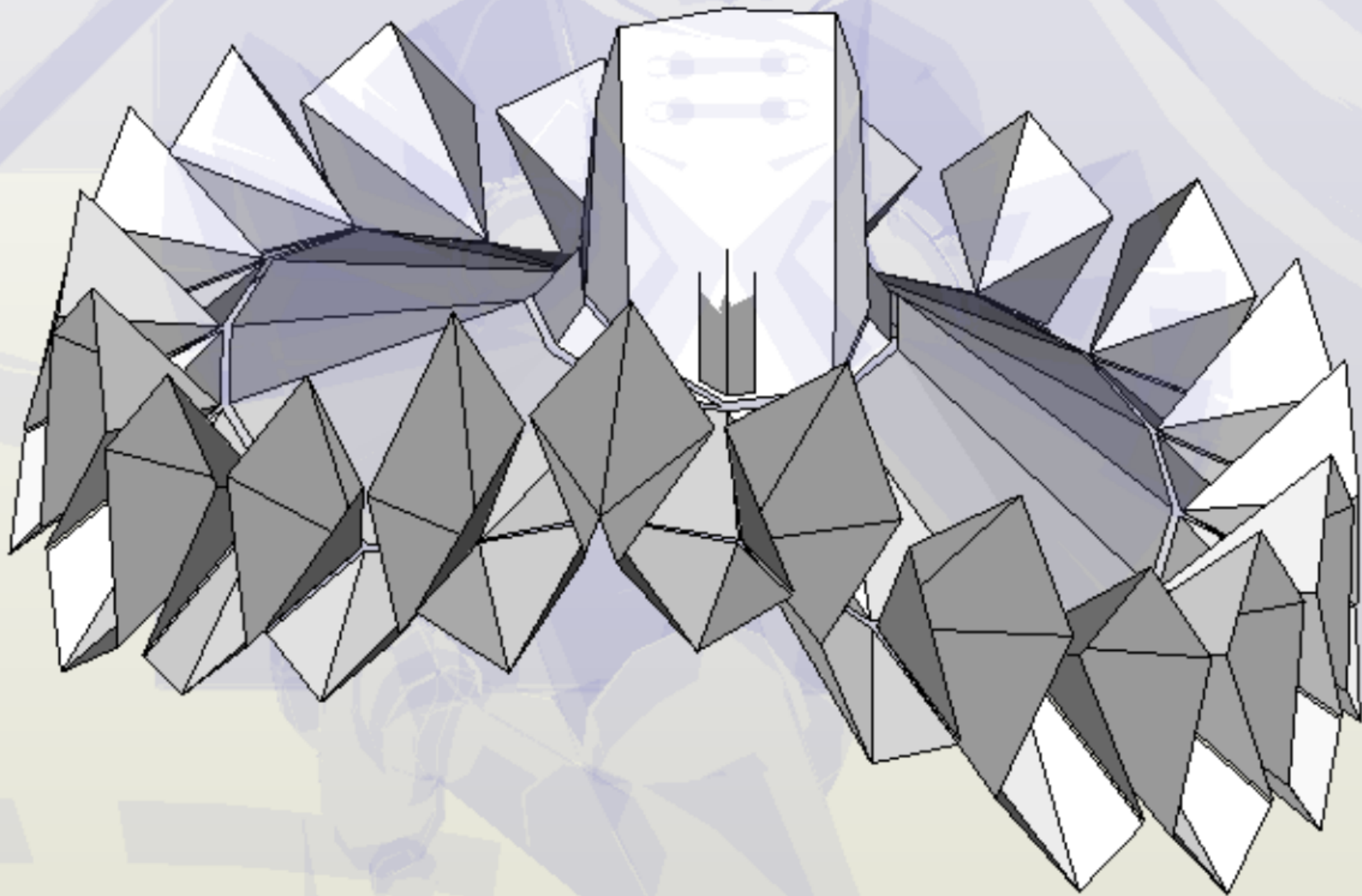
B39

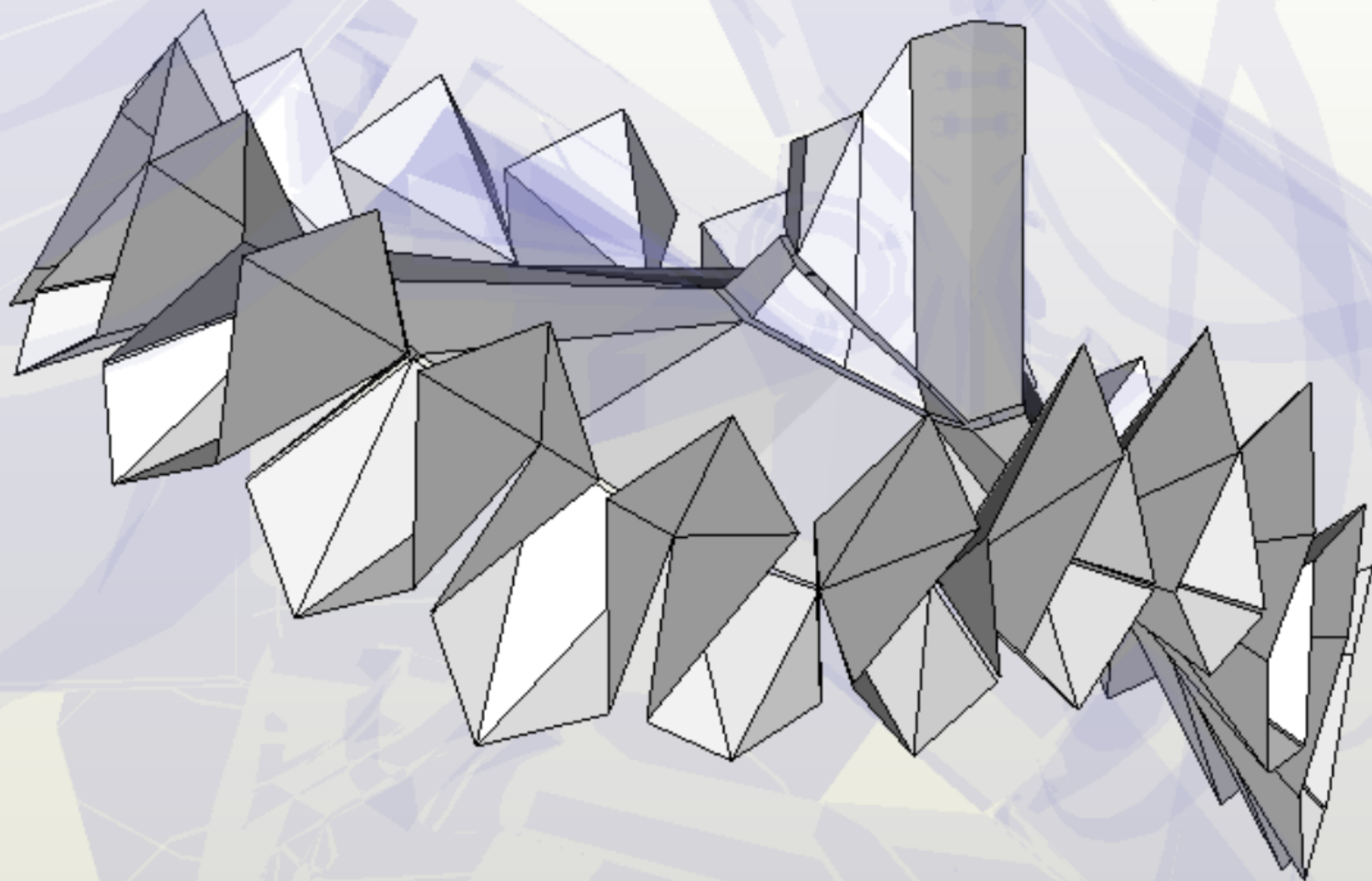
B39

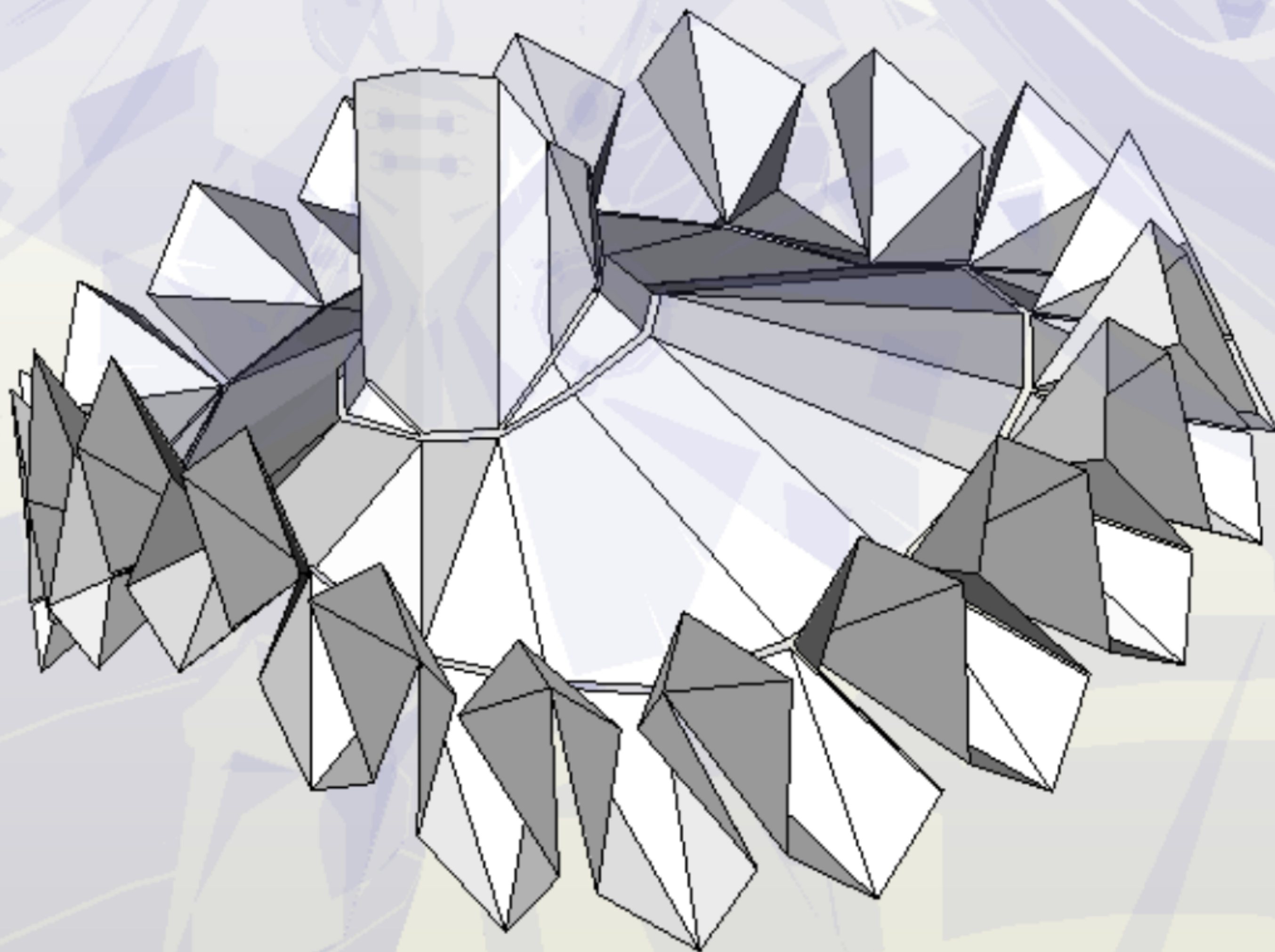








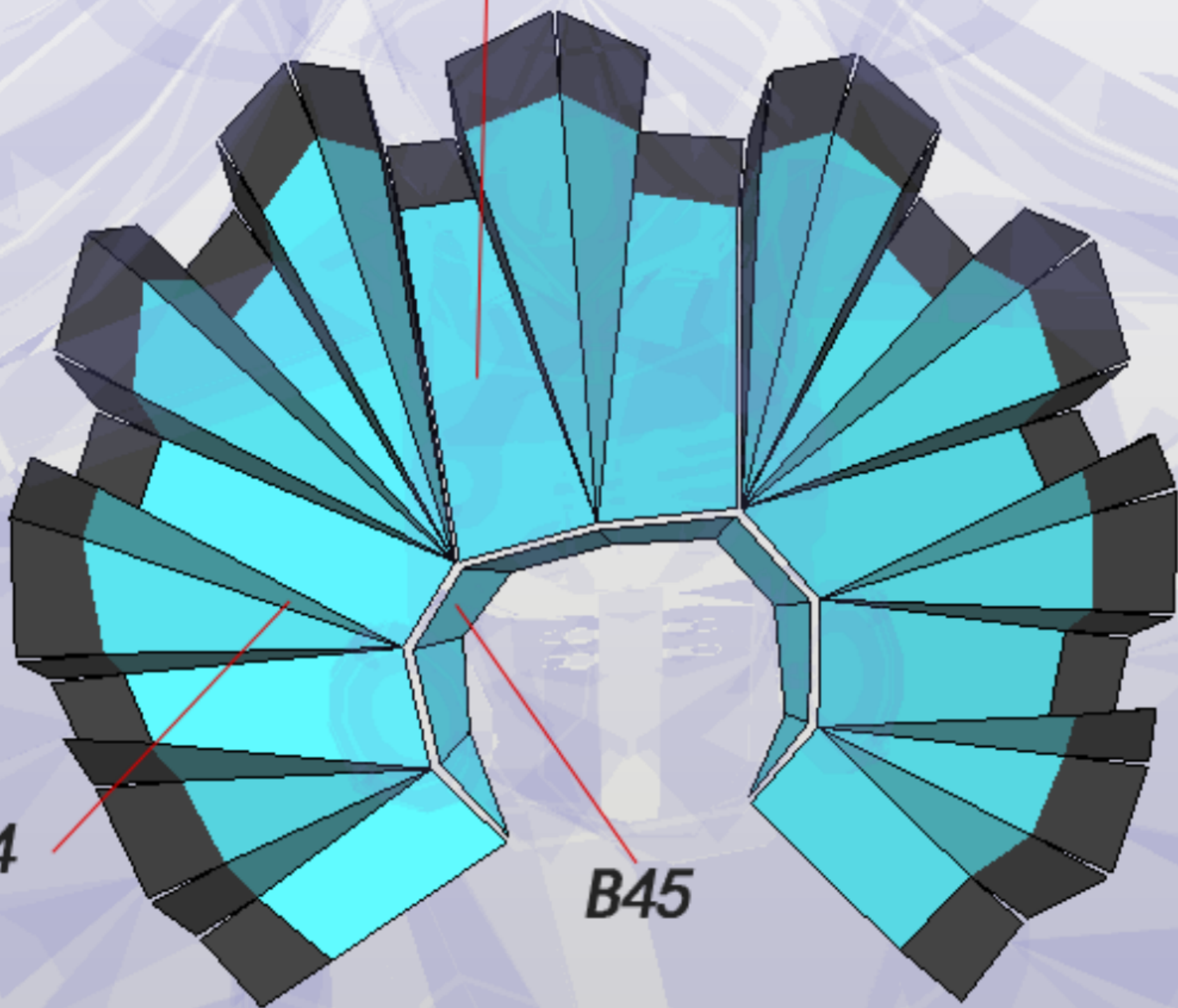




B43

B44

B45

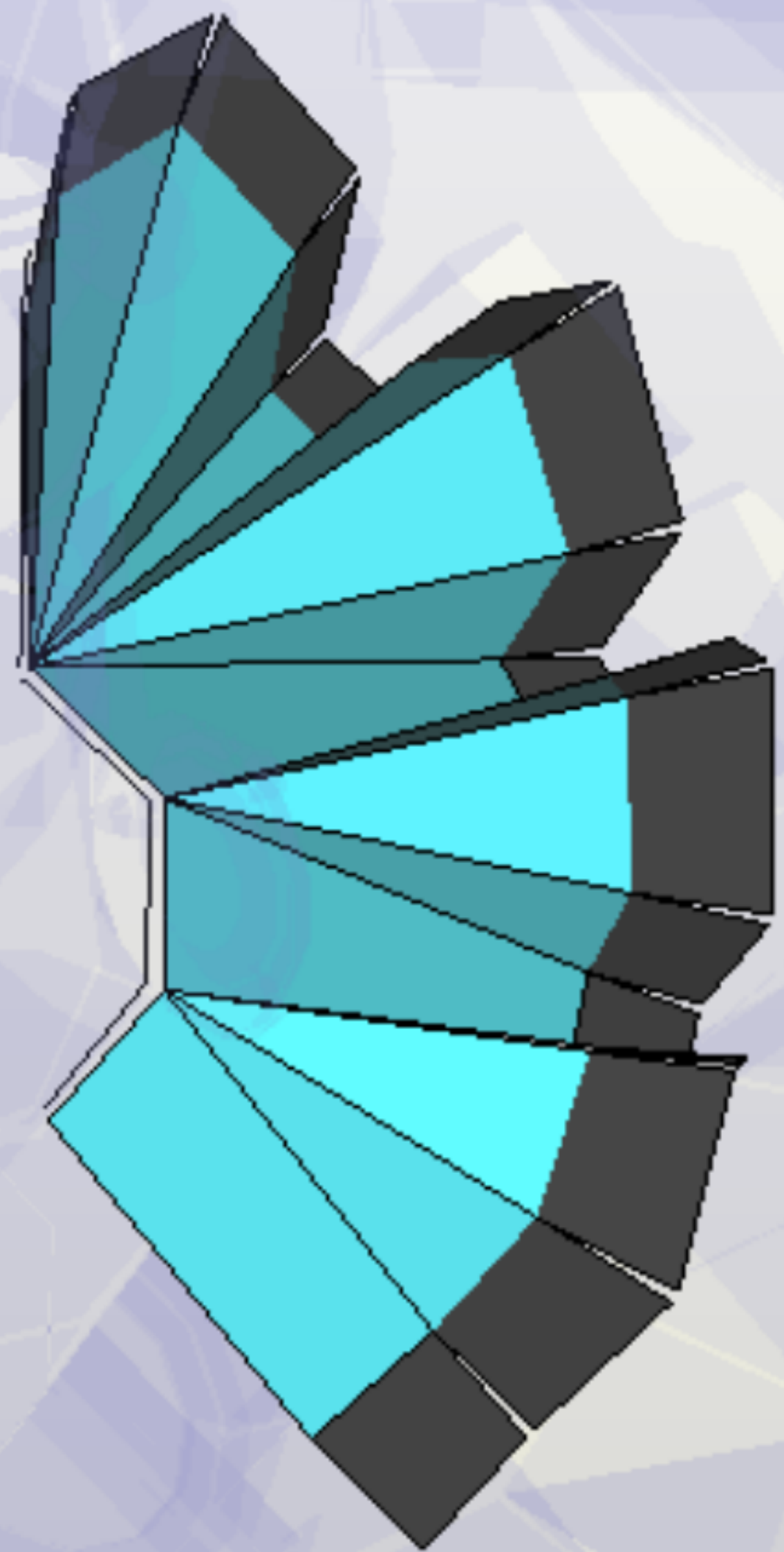


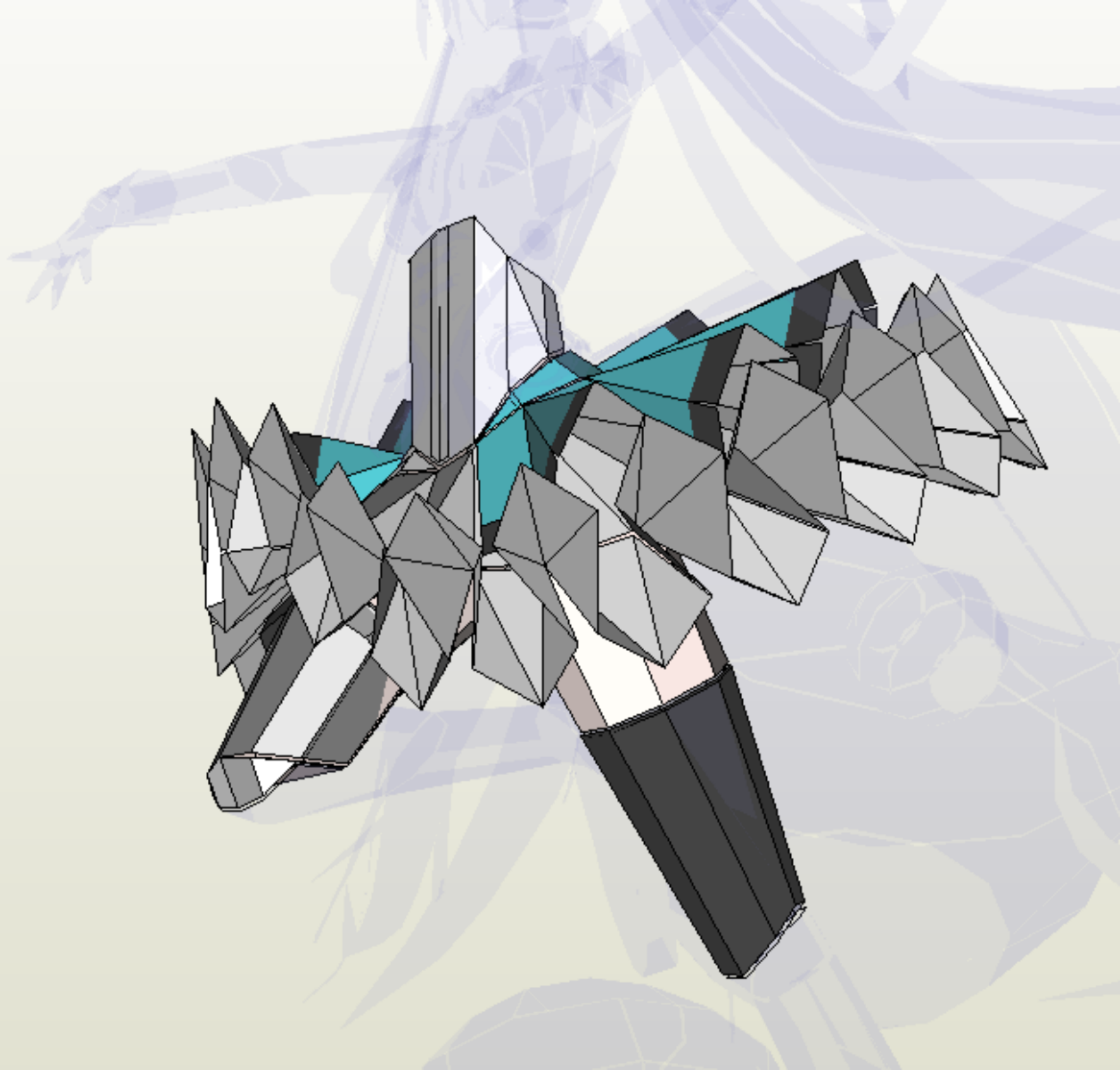
B43

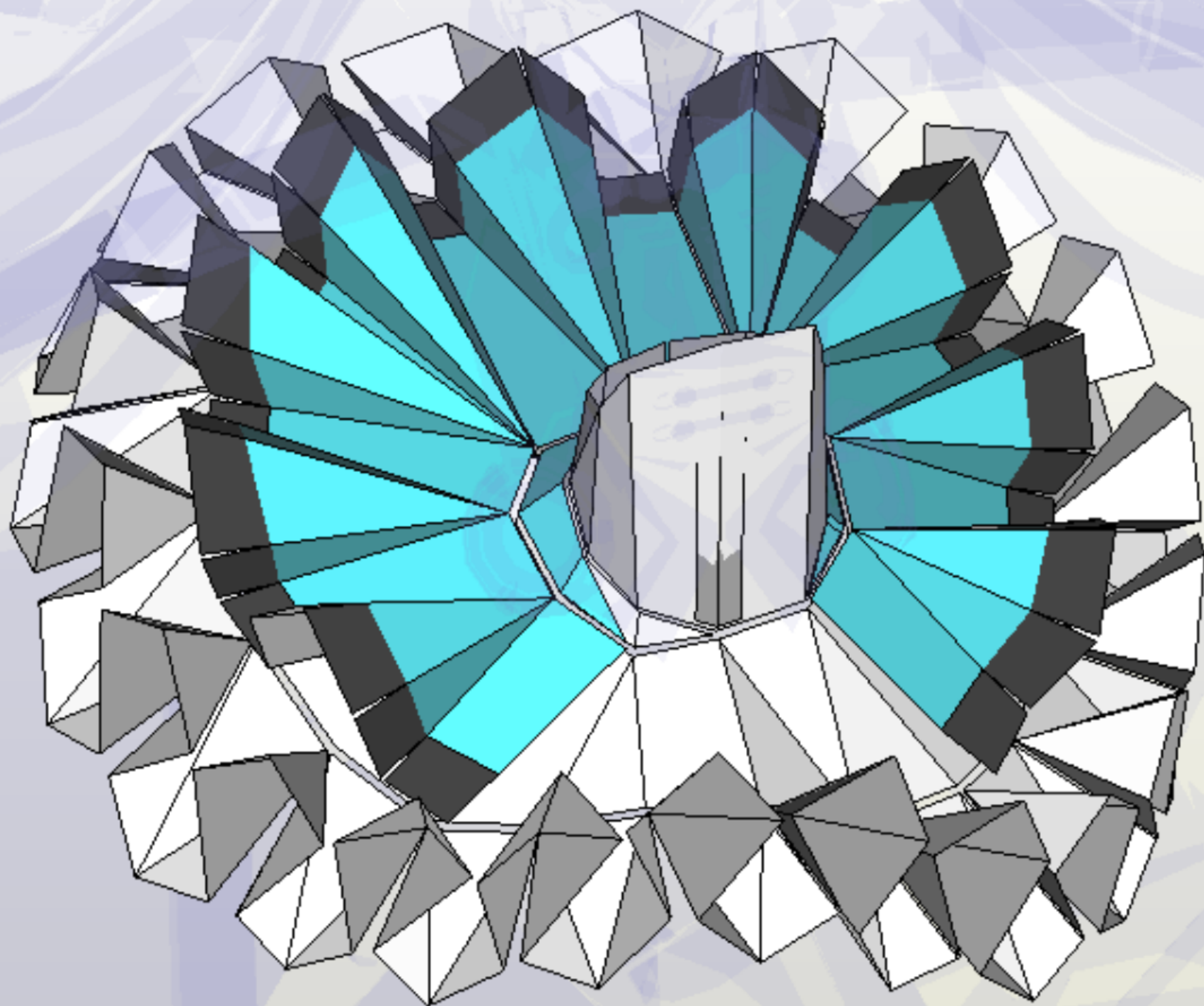
B42



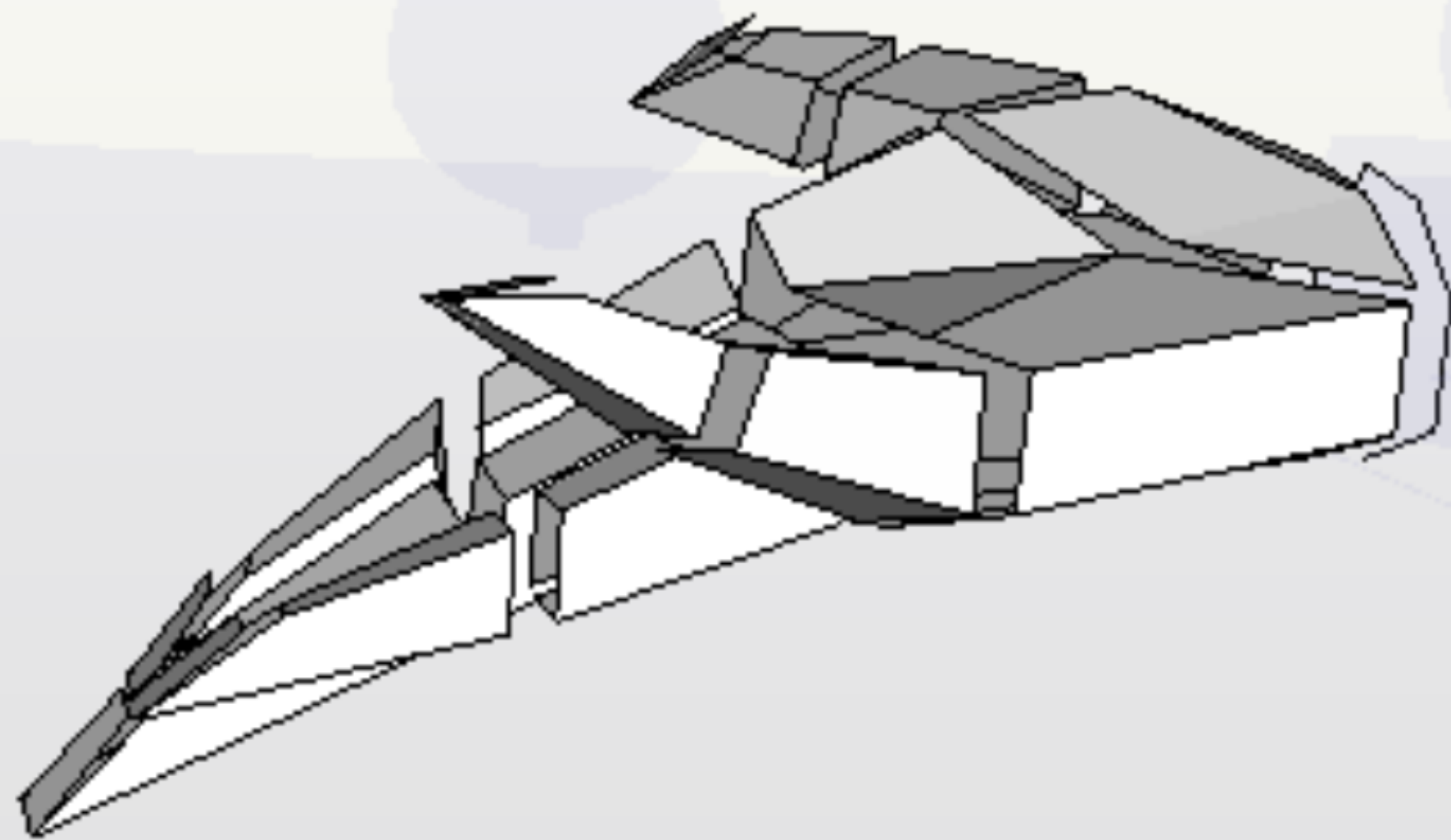
B42



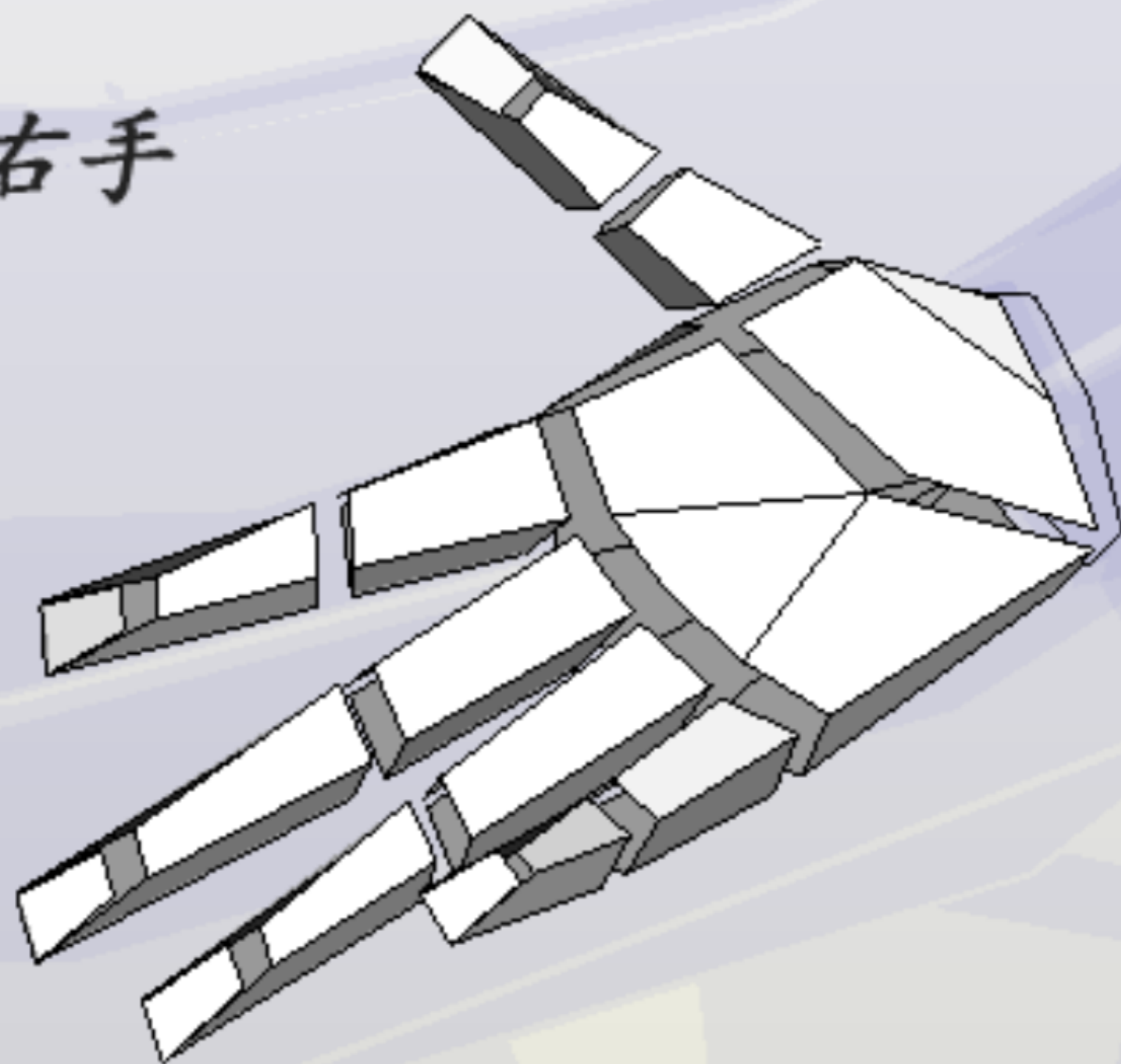


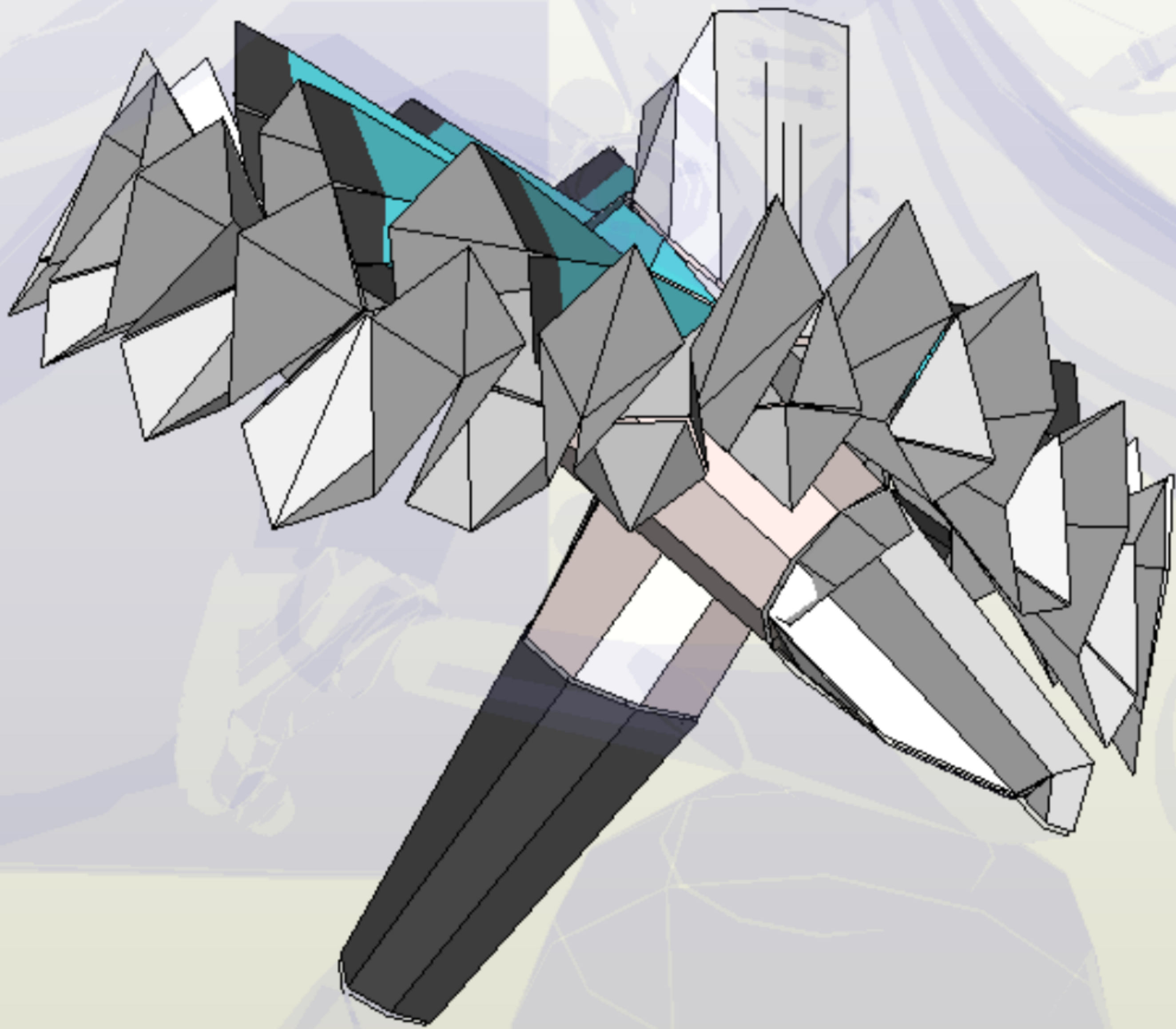


右手

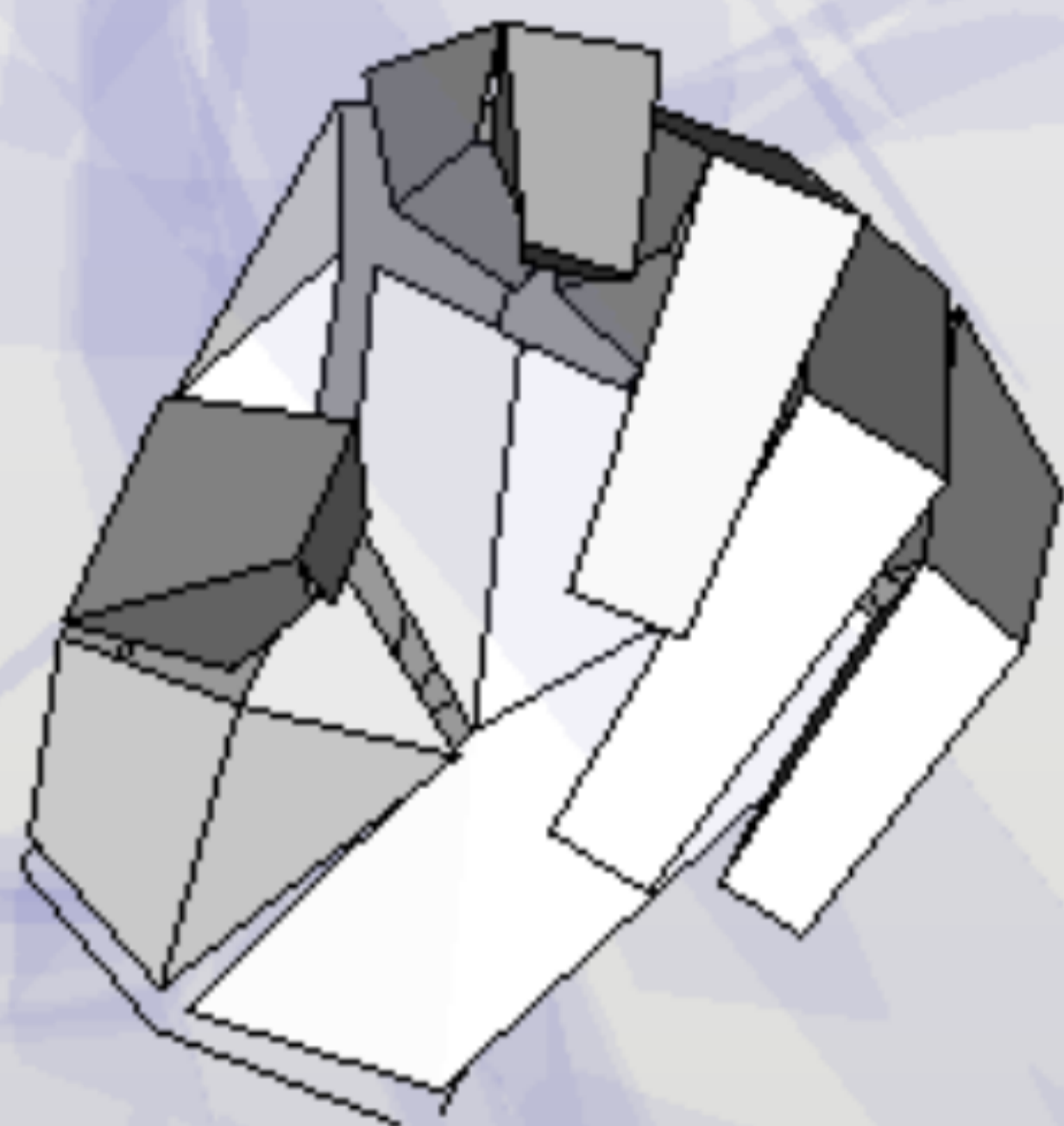


右手

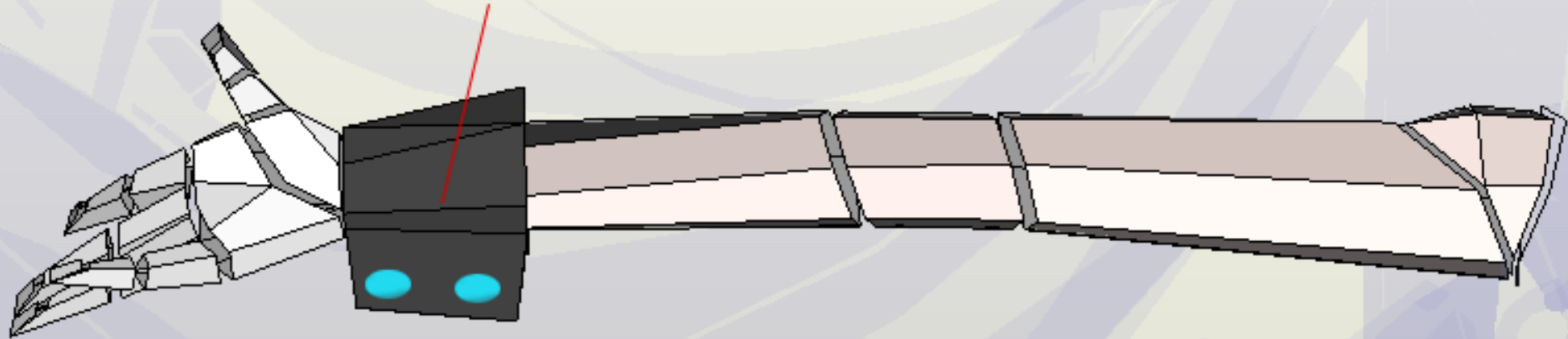


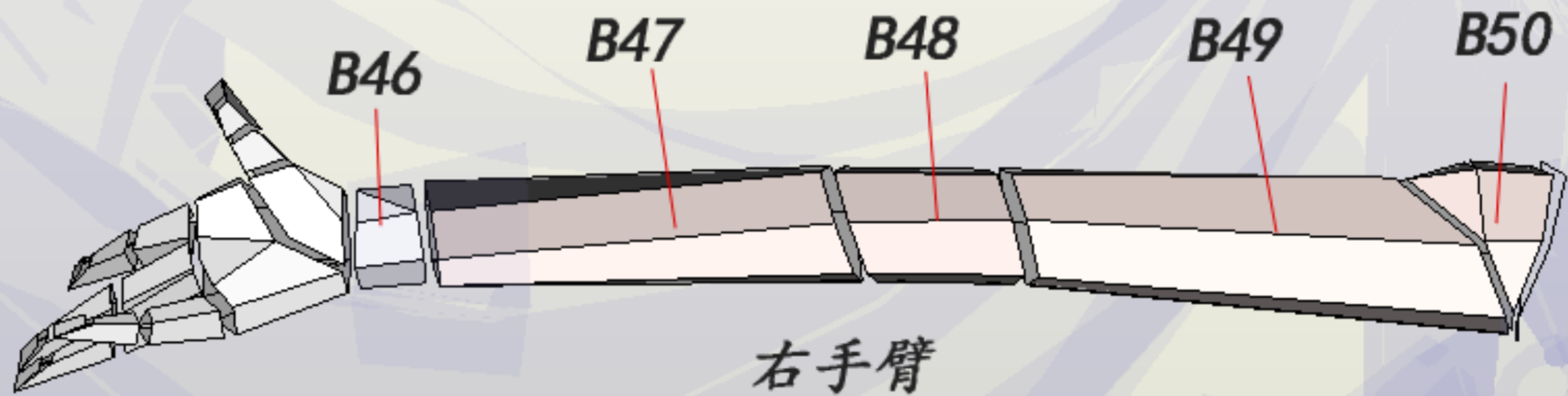


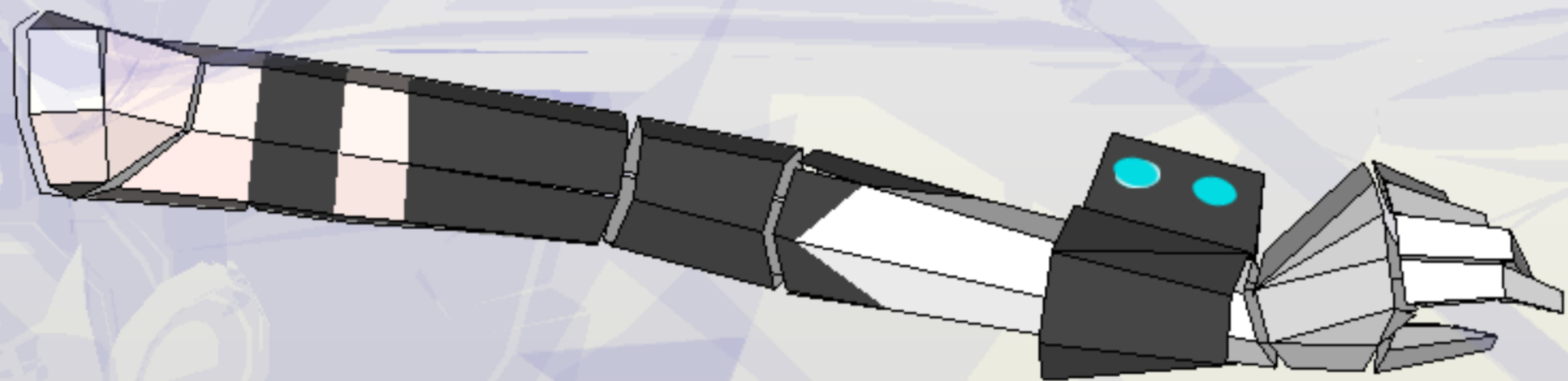
左手

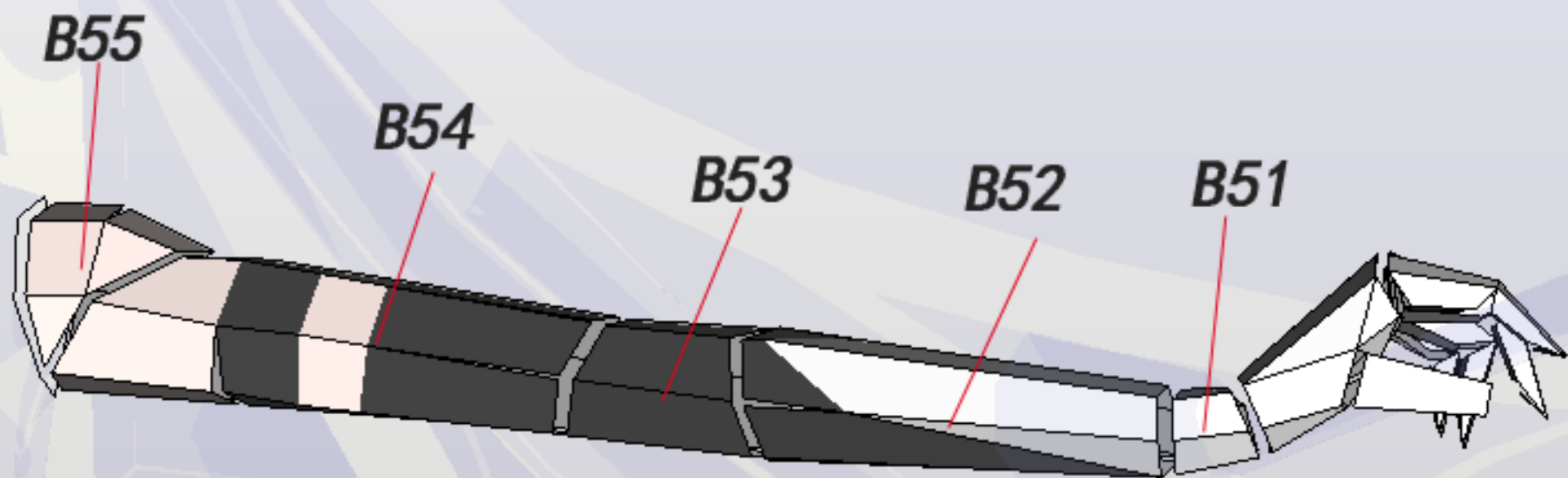


B46a







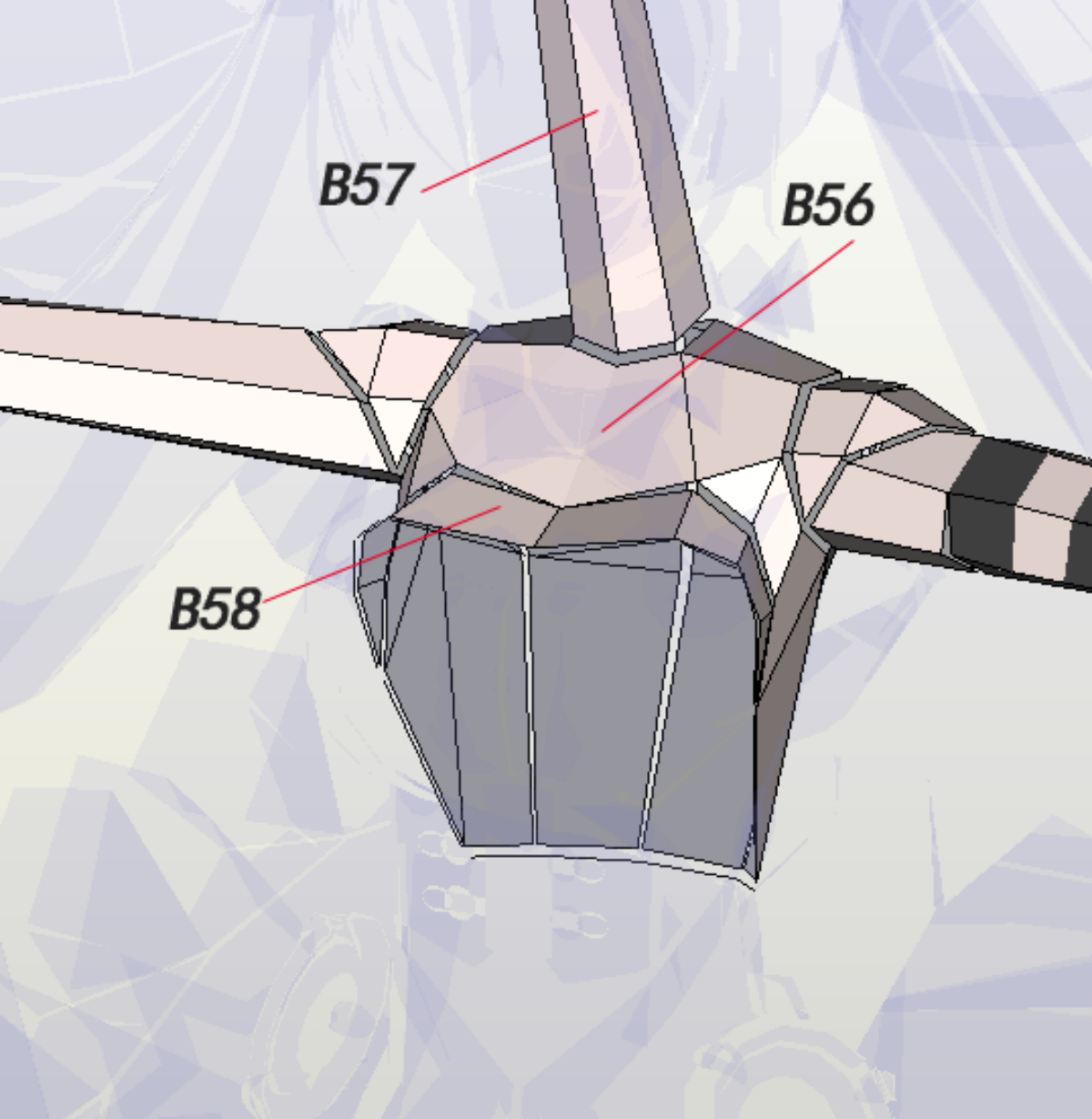


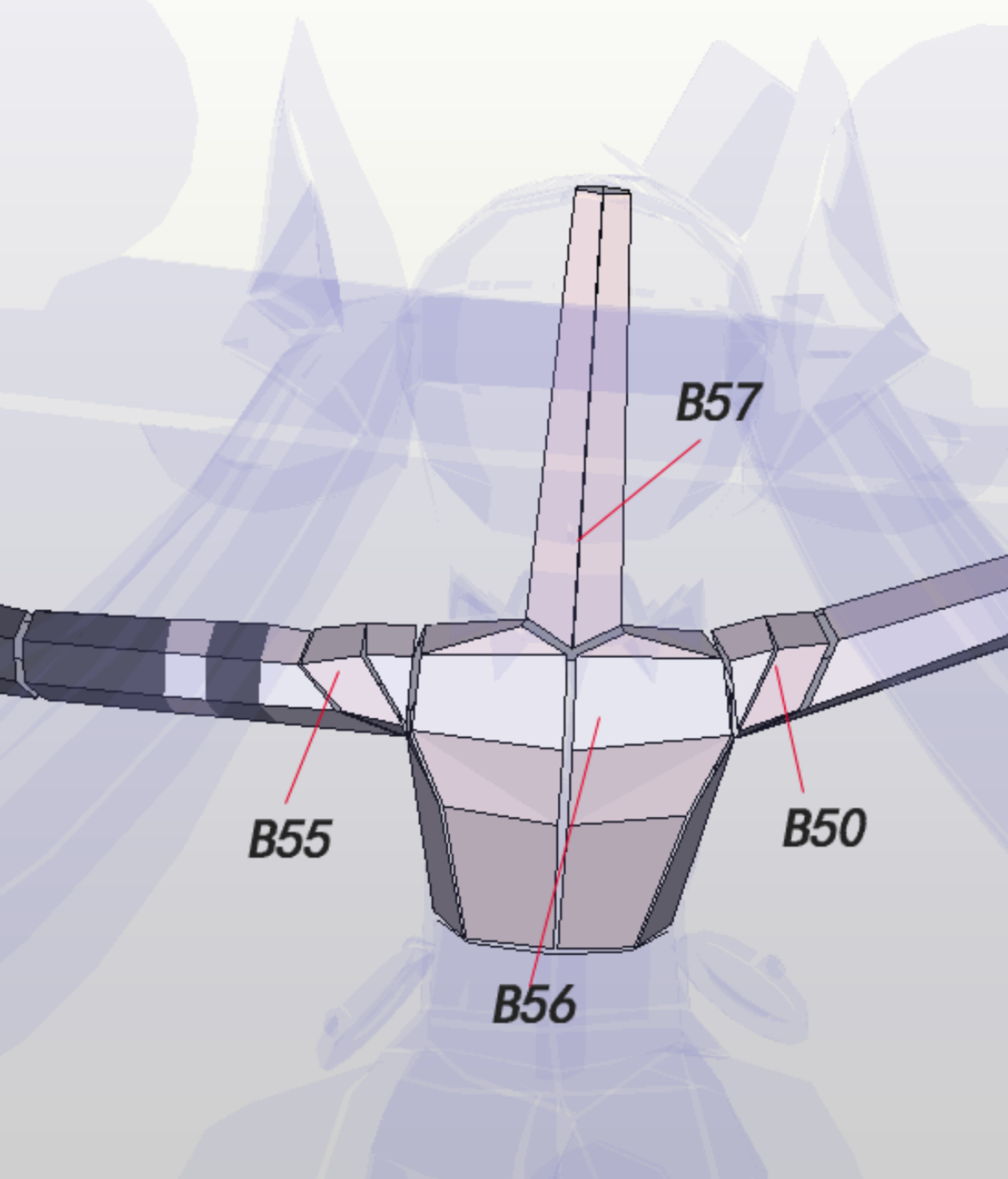
左手臂

B57

B56

B58





B57

B55

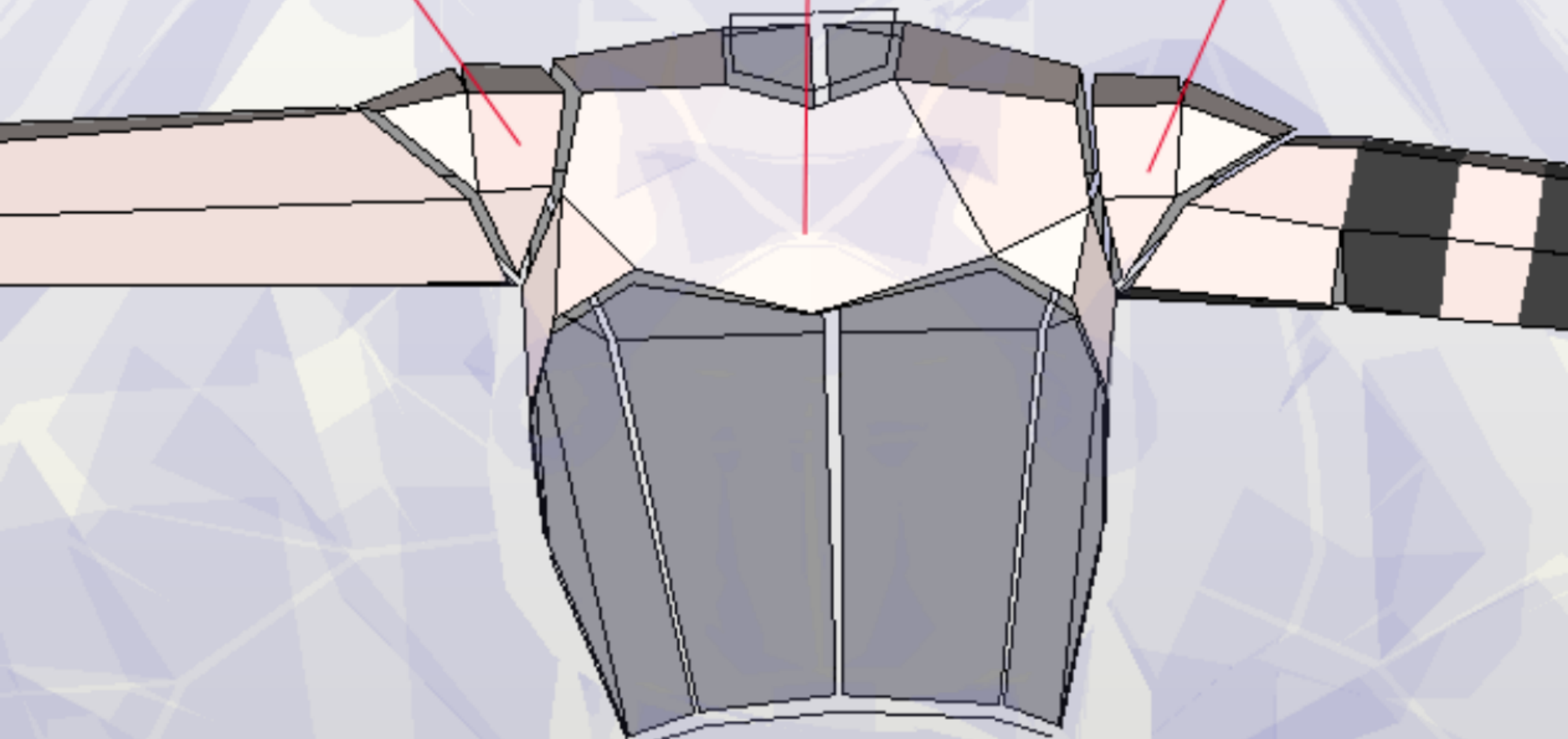
B50

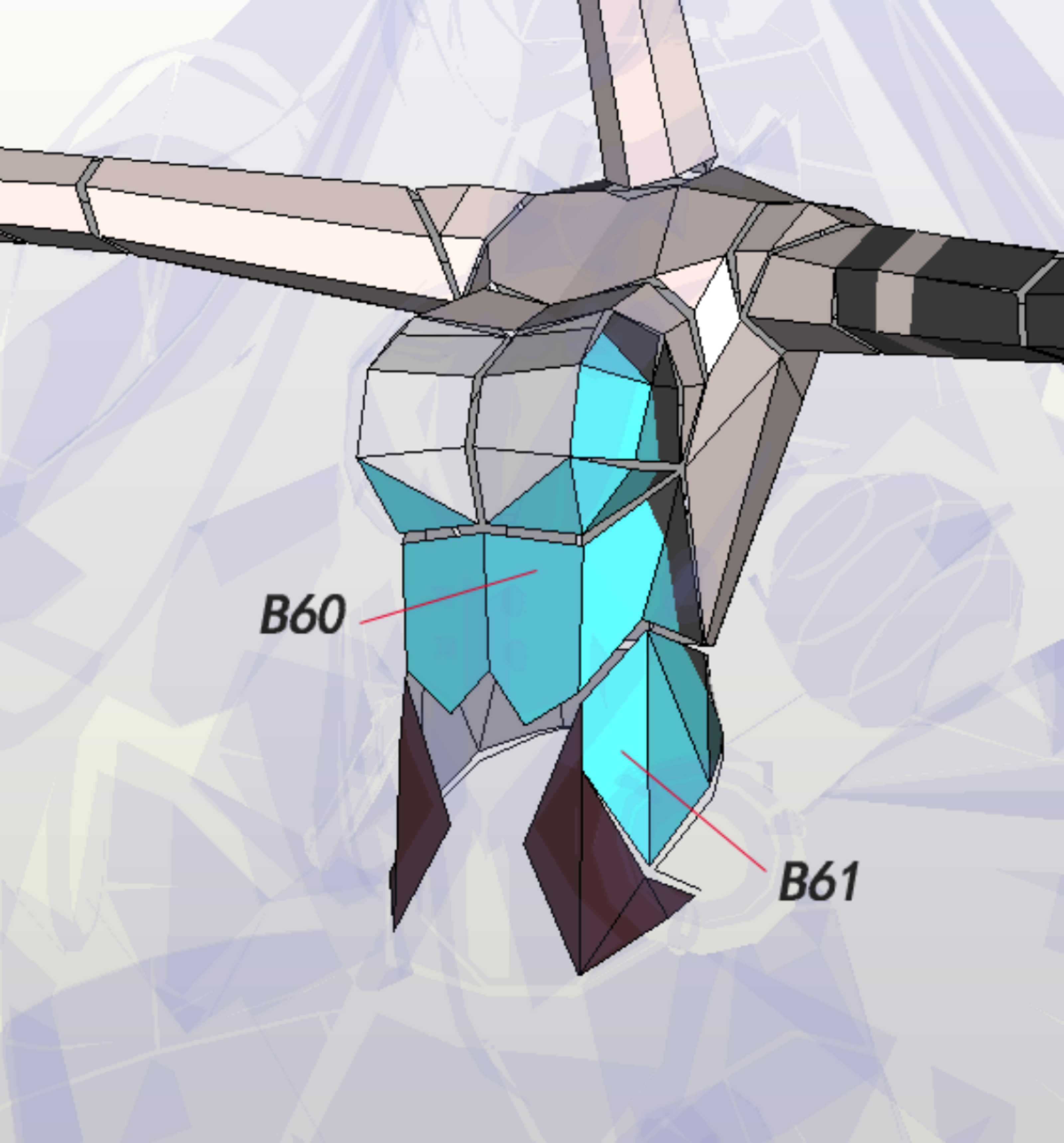
B56

B50

B56

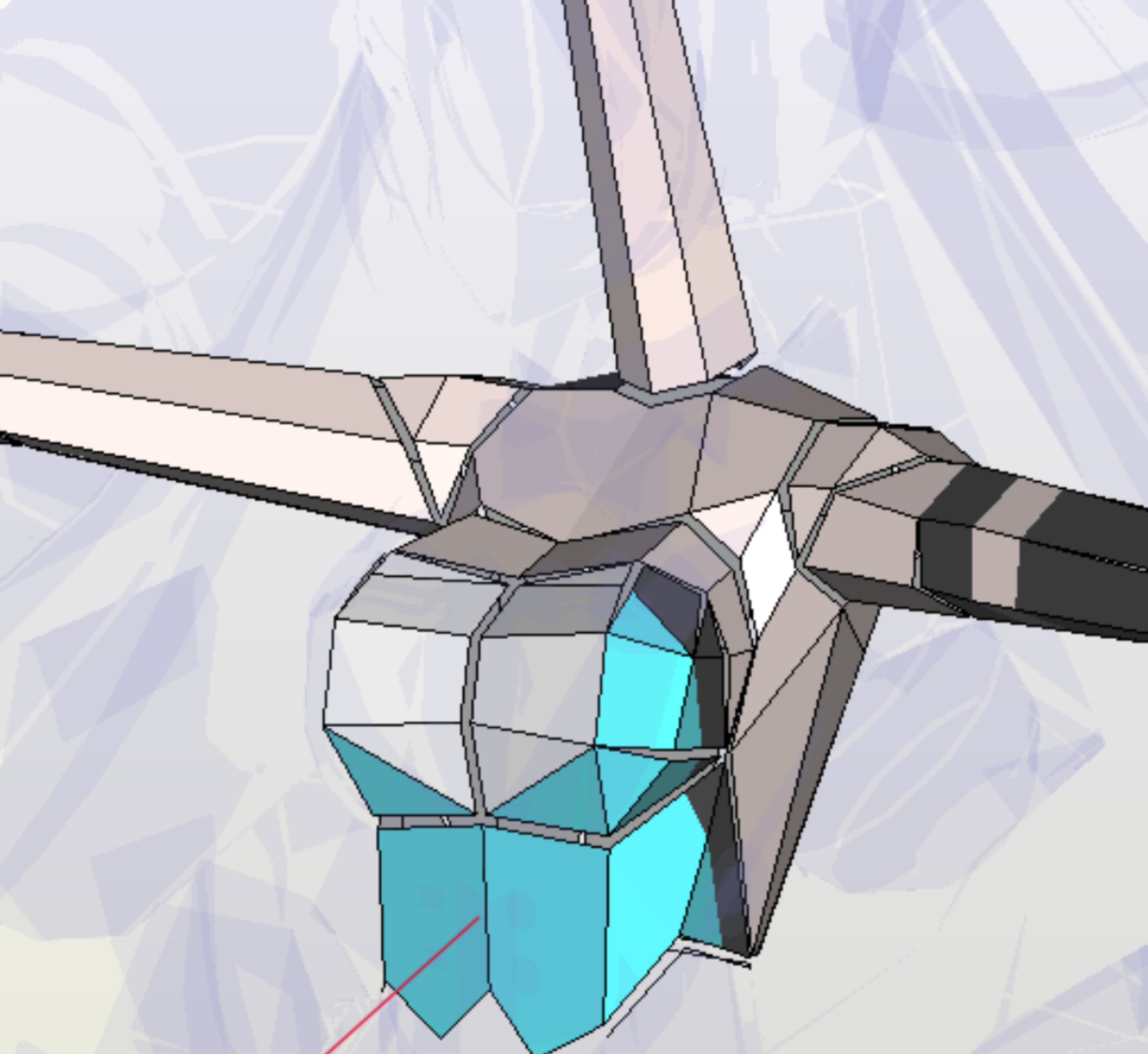
B55





B60

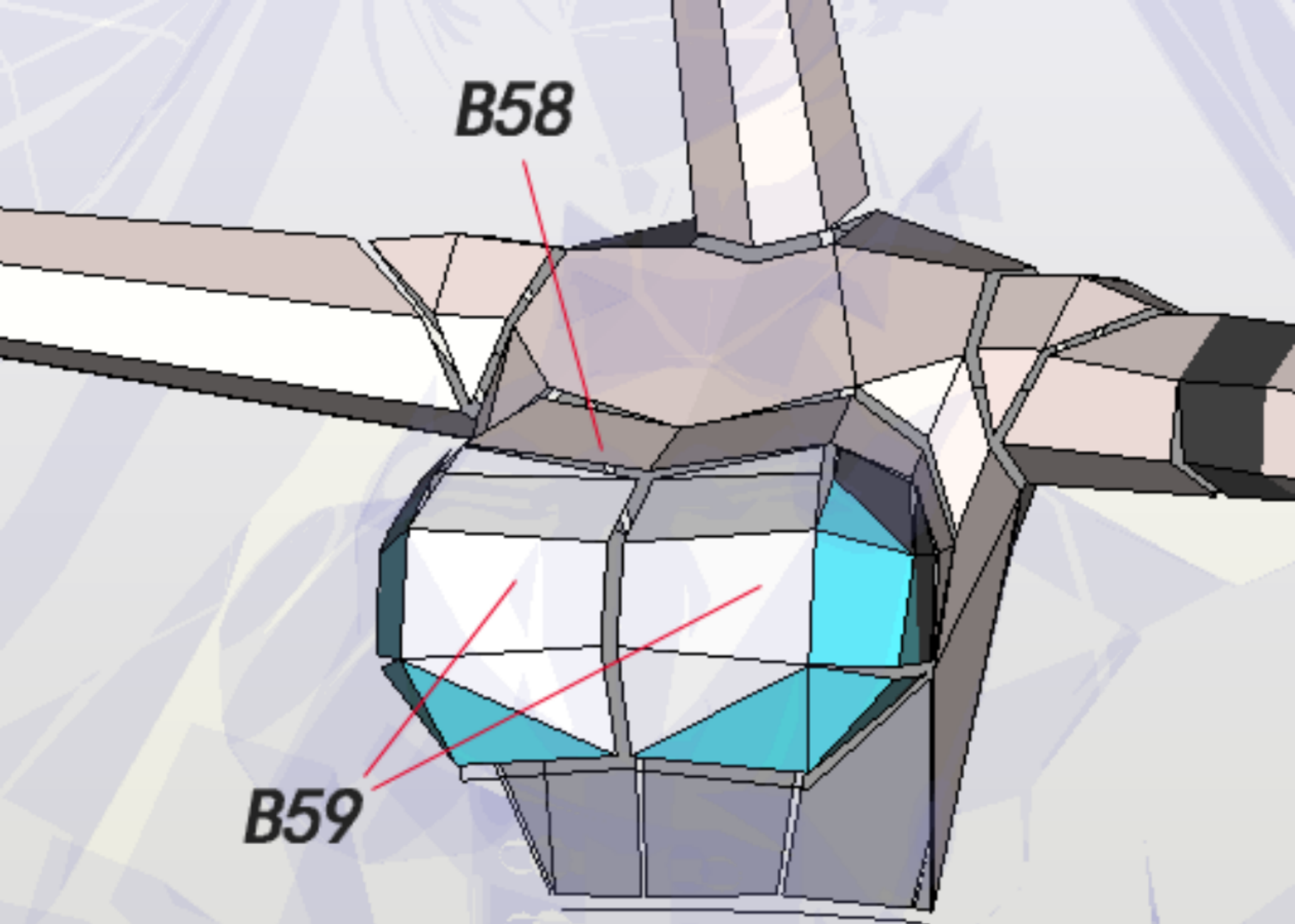
B61



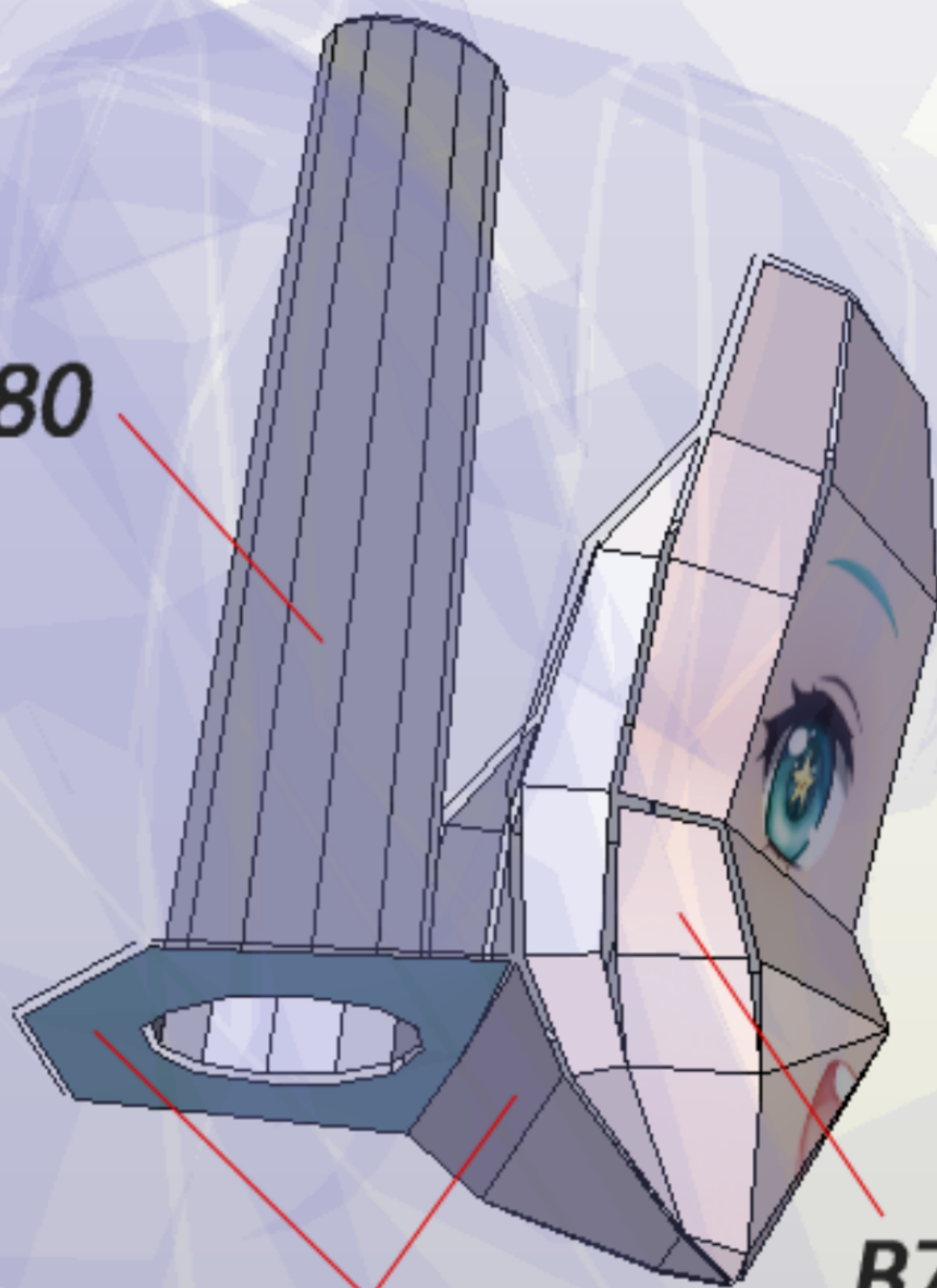
B60

B58

B59



B80



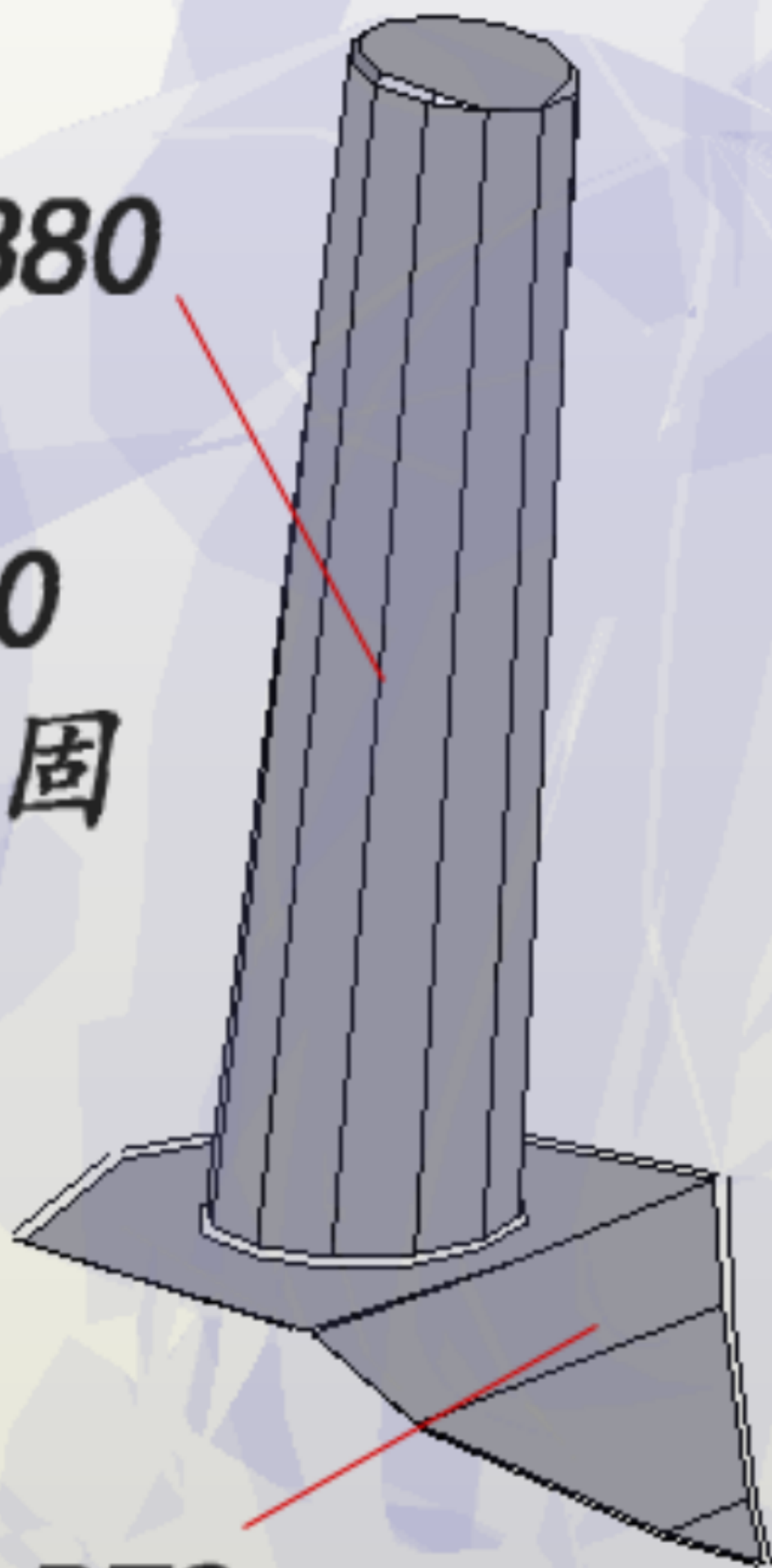
B79

B70

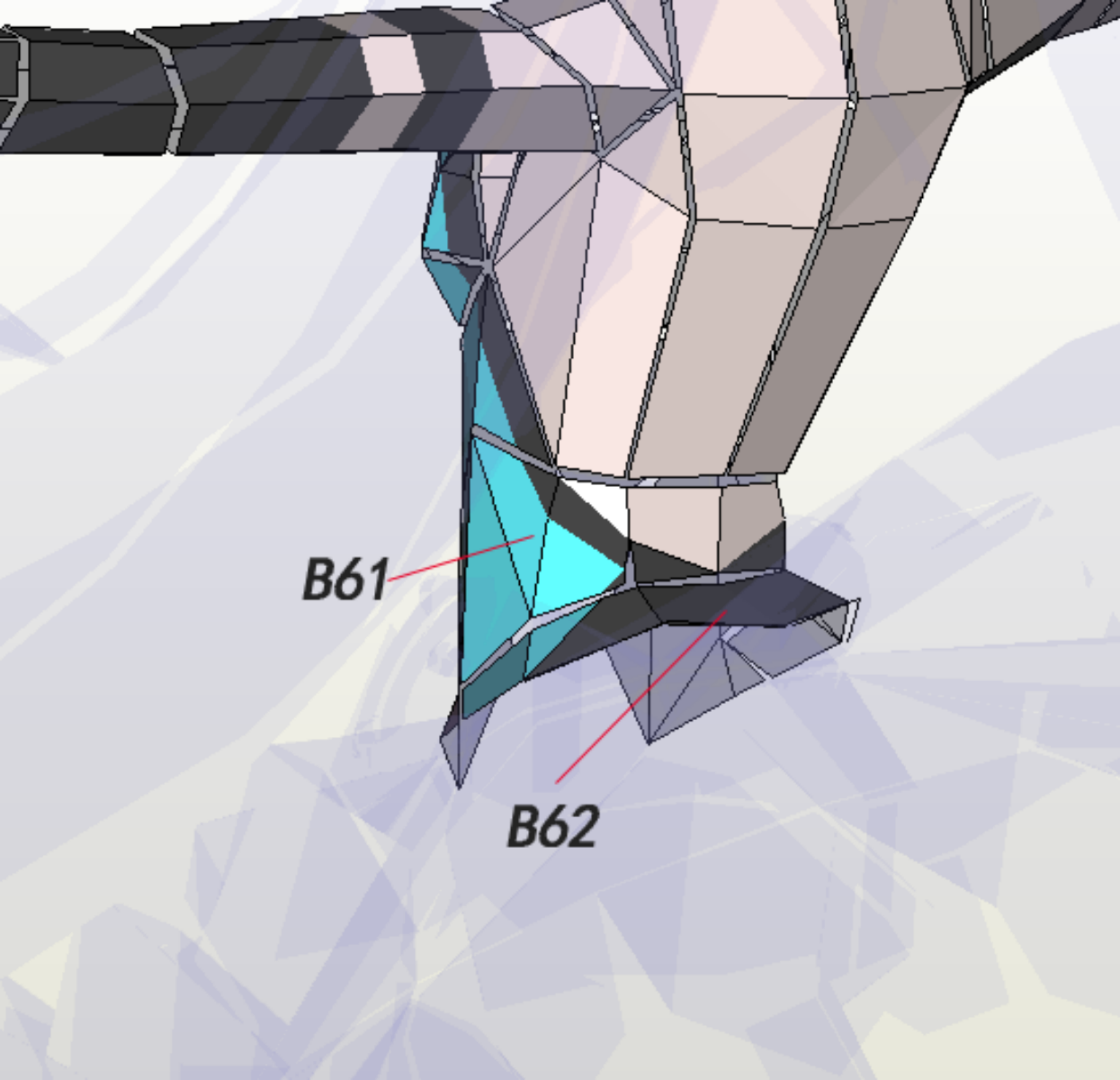
B80

B79 B80

需要加固

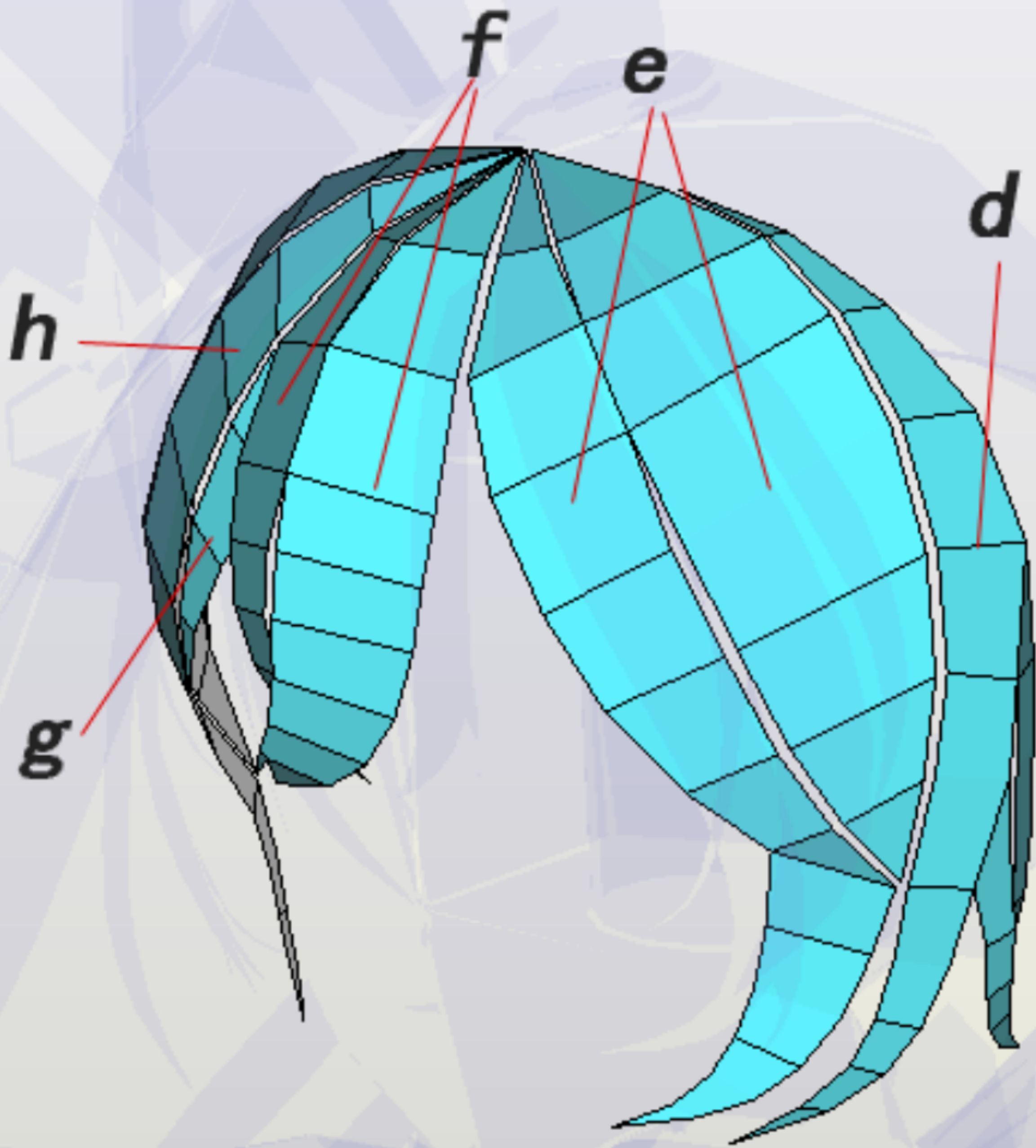


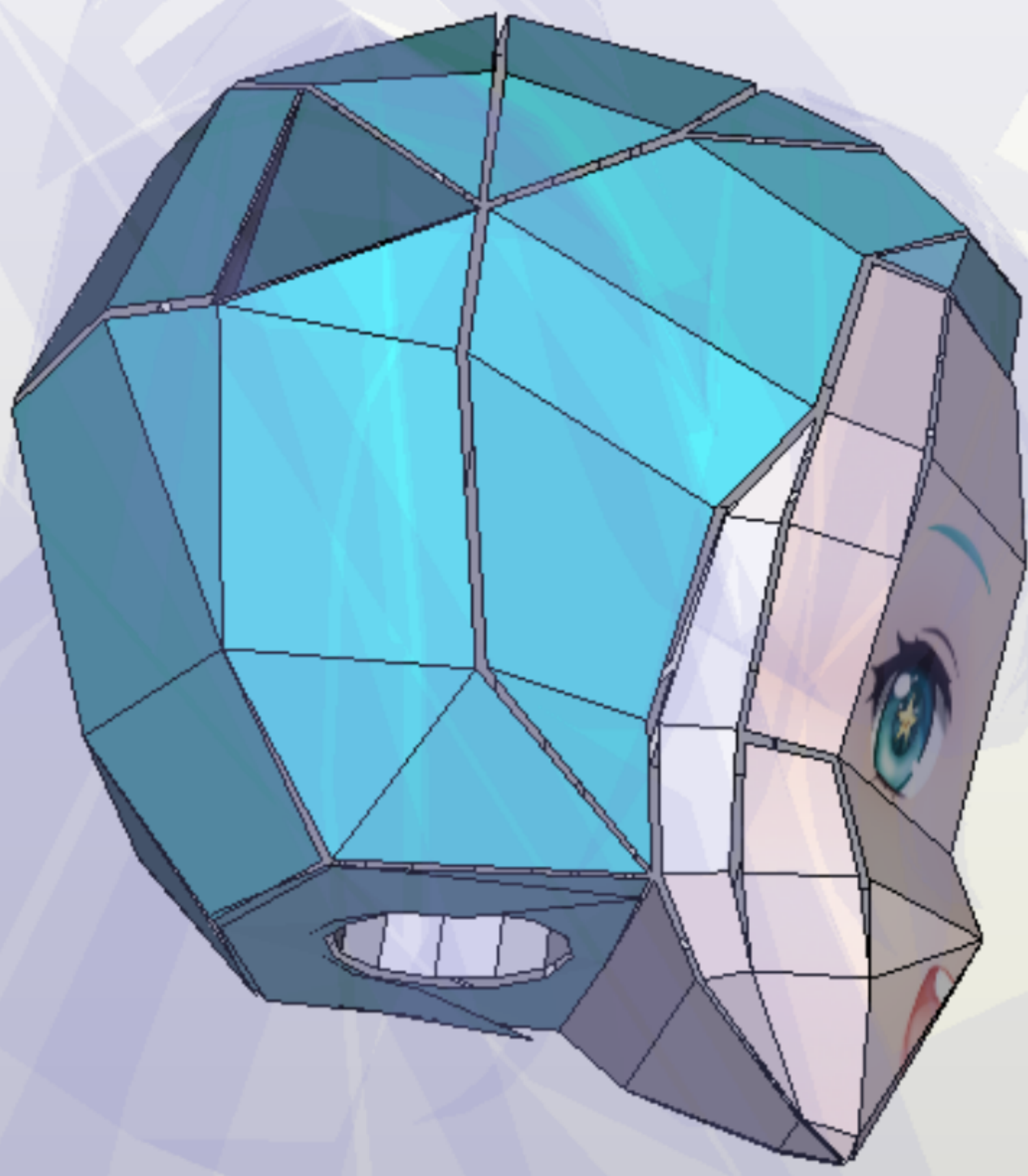
B79



B61

B62

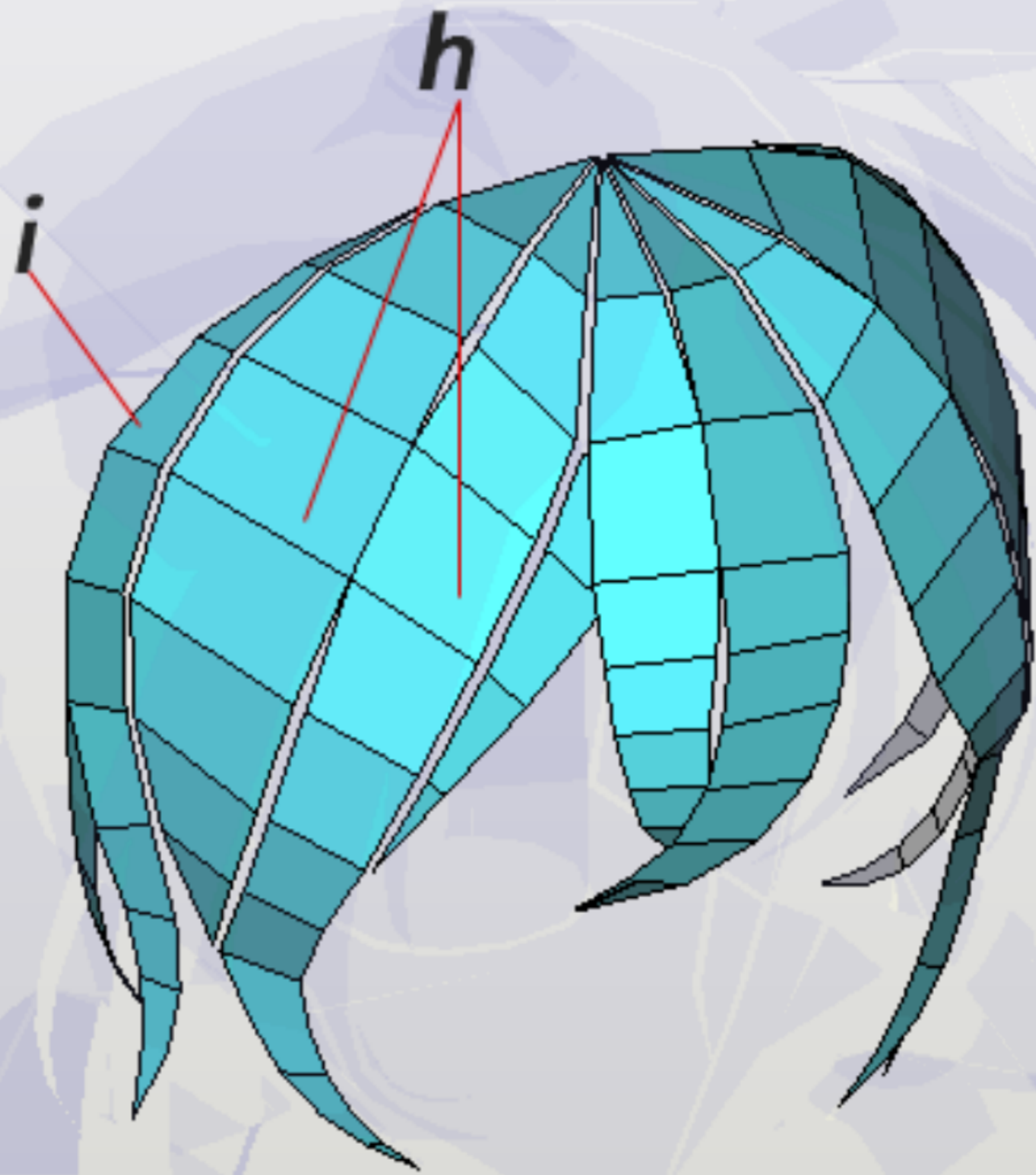


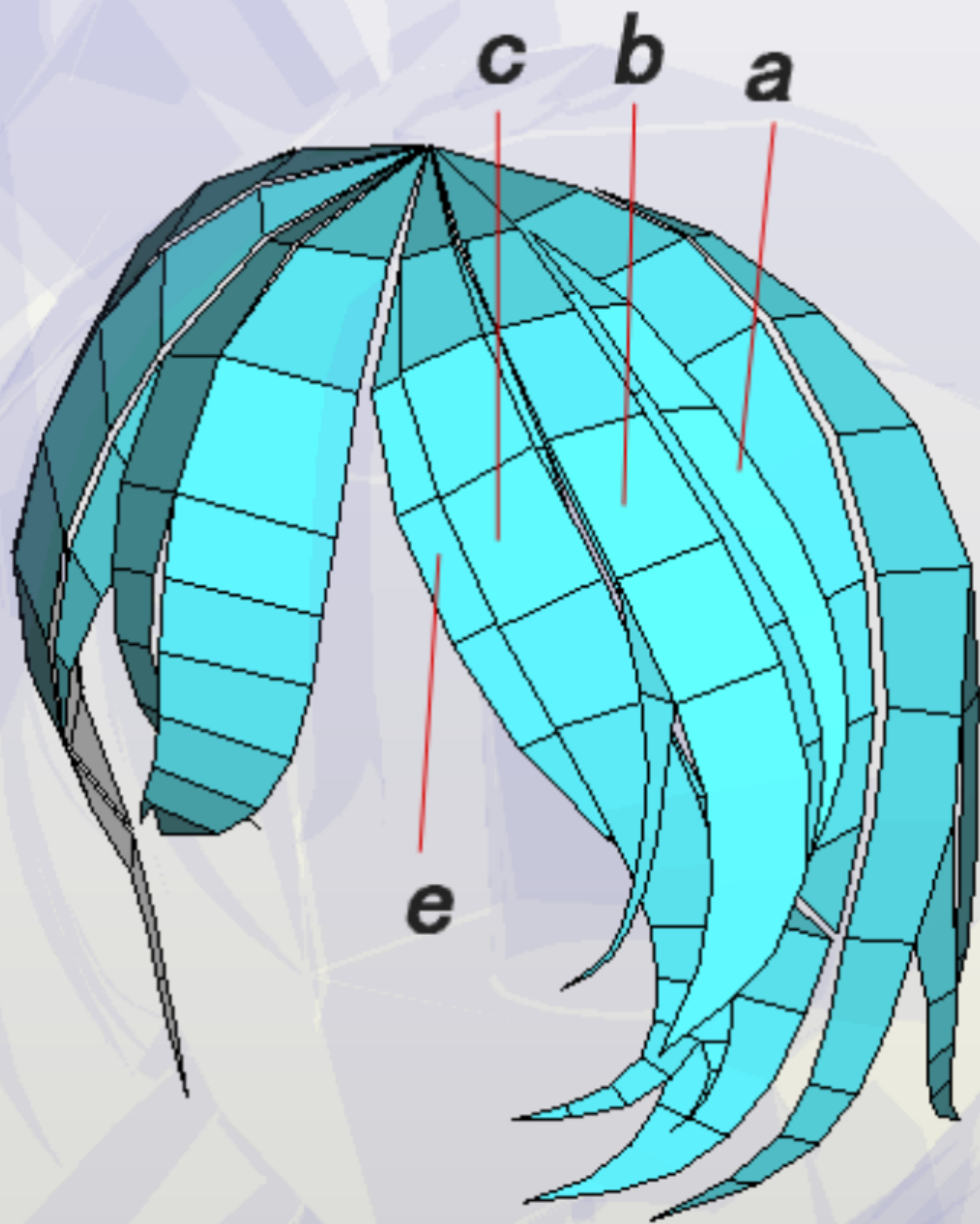


B74



前刘海沾B73上面

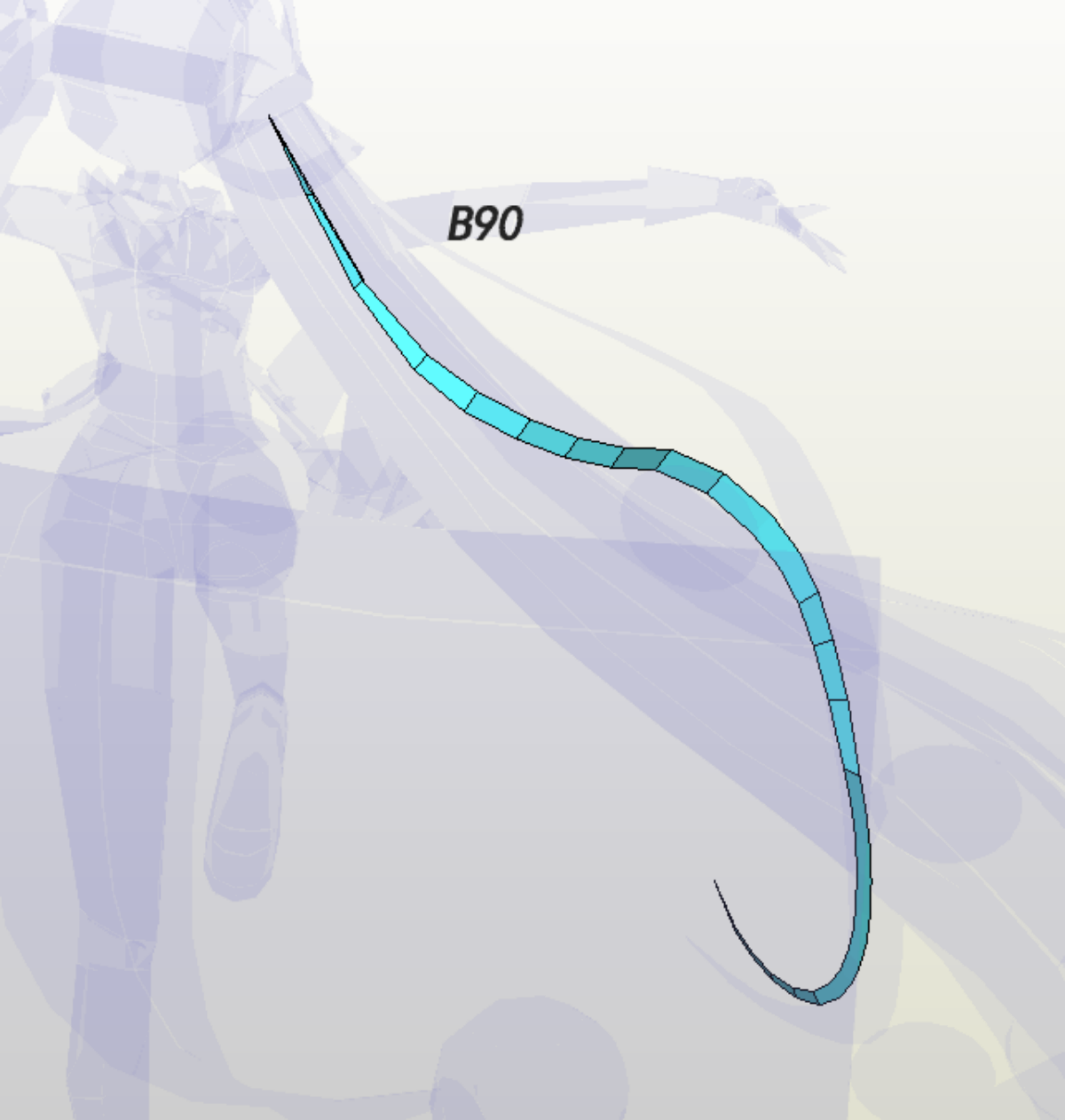




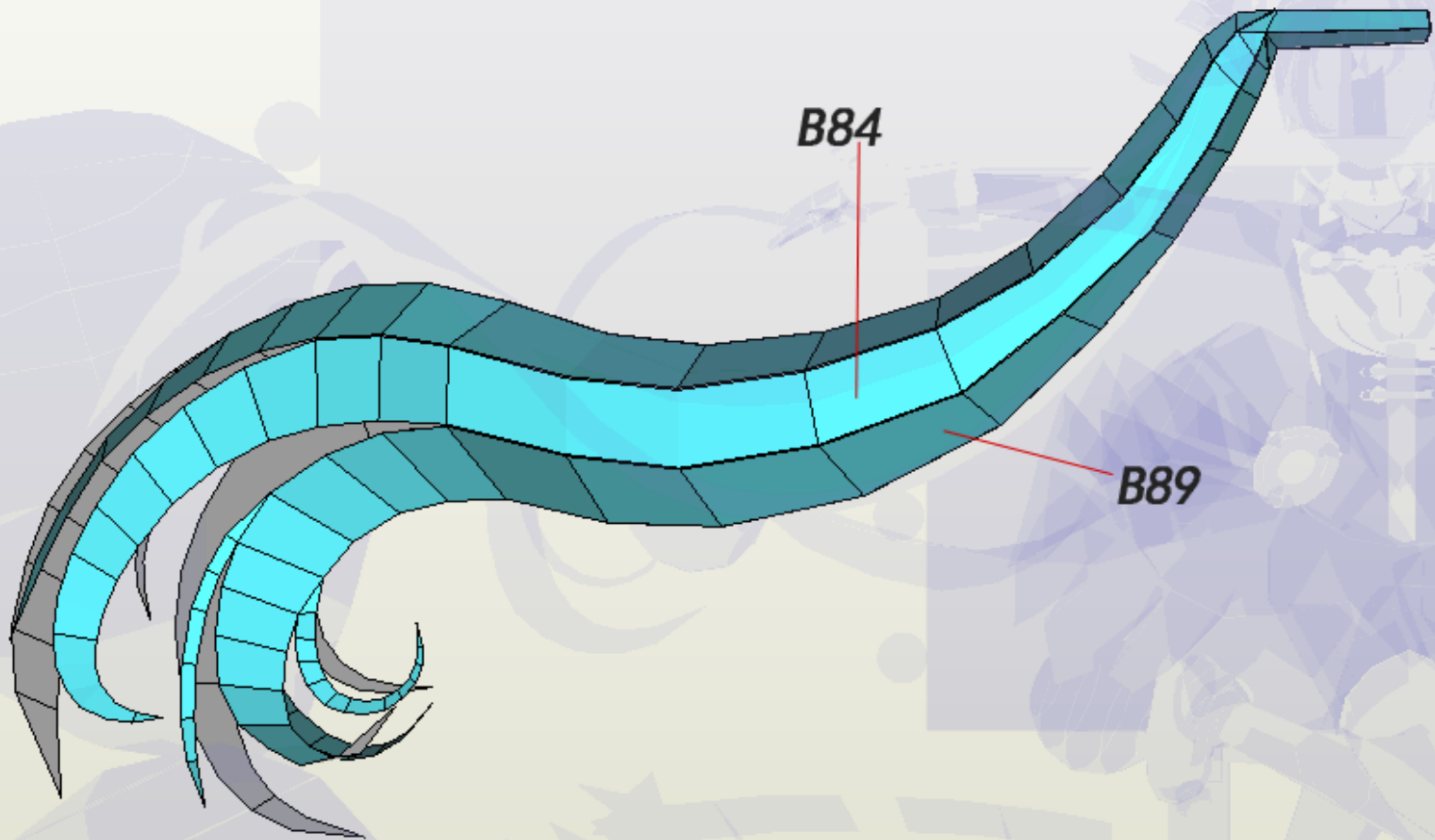
B84





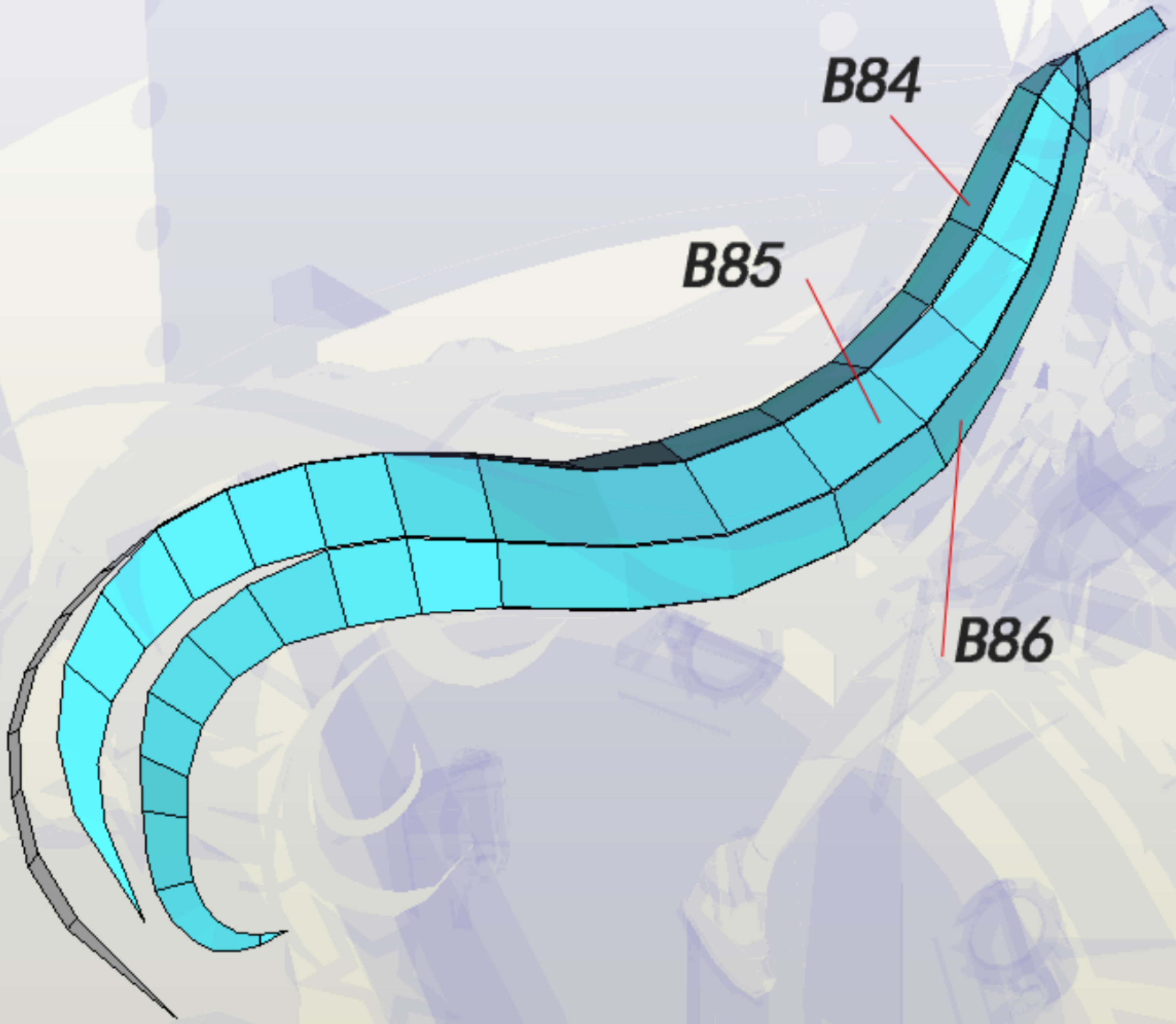


B90



B84

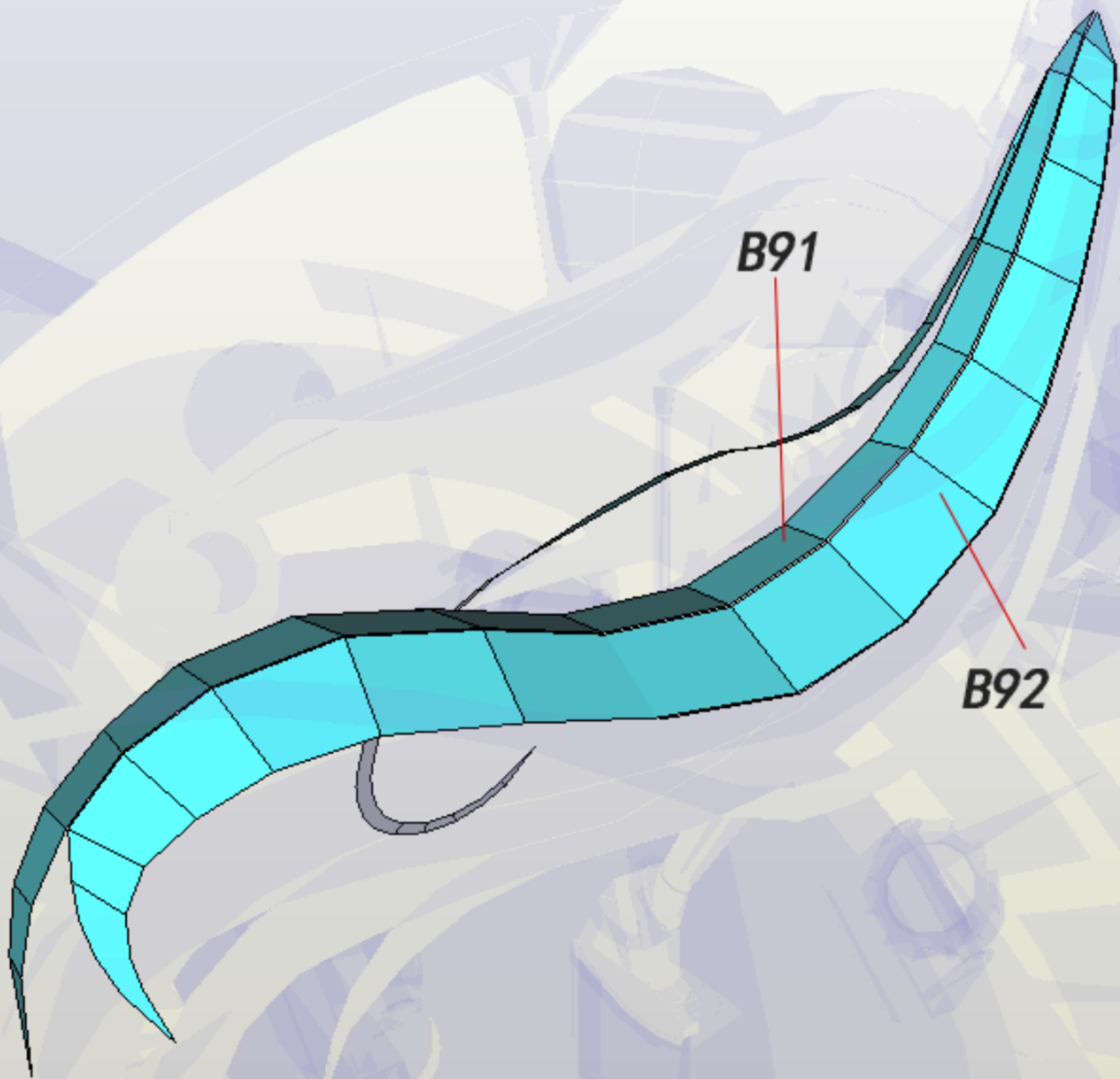
B89



B84

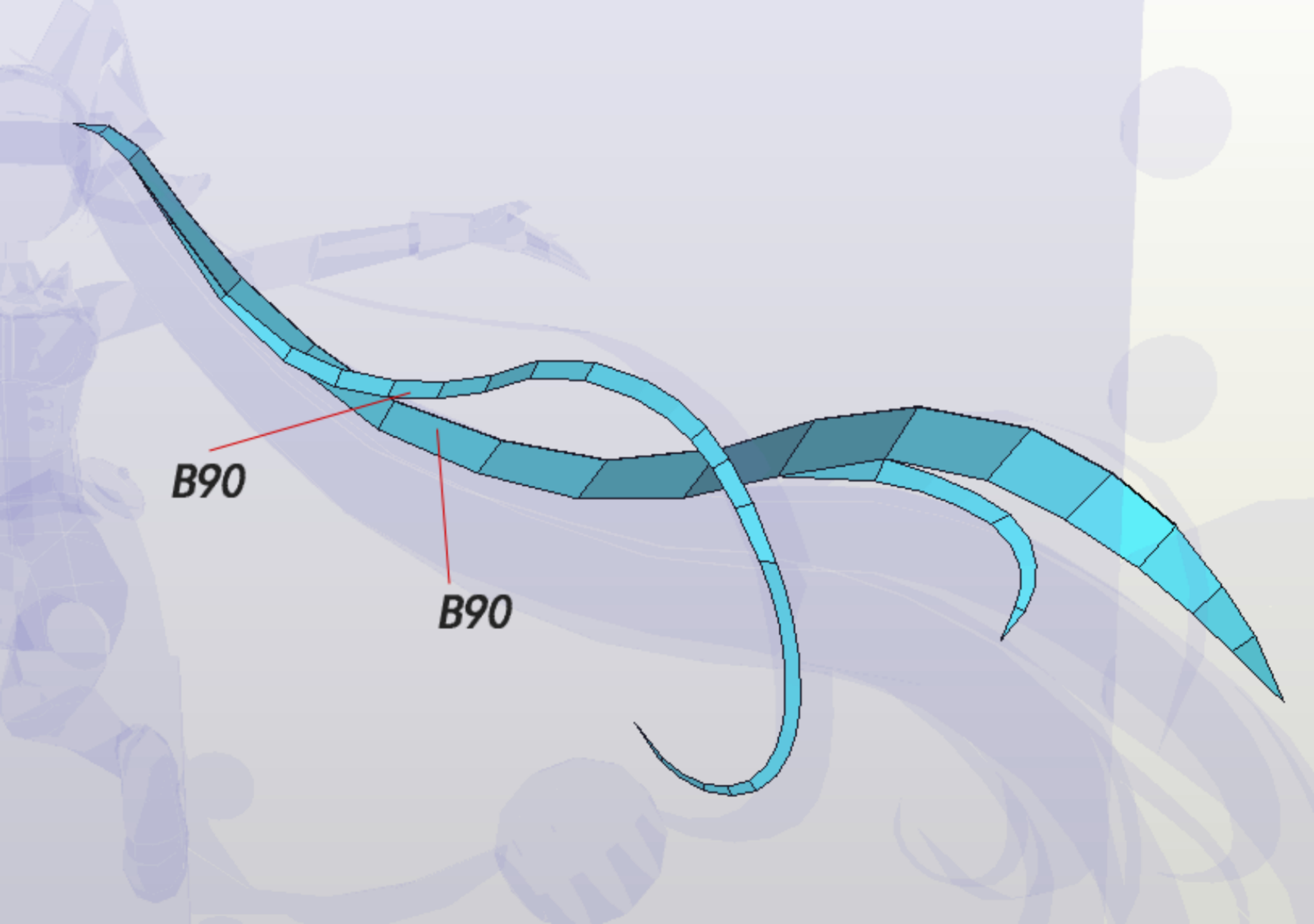
B85

B86



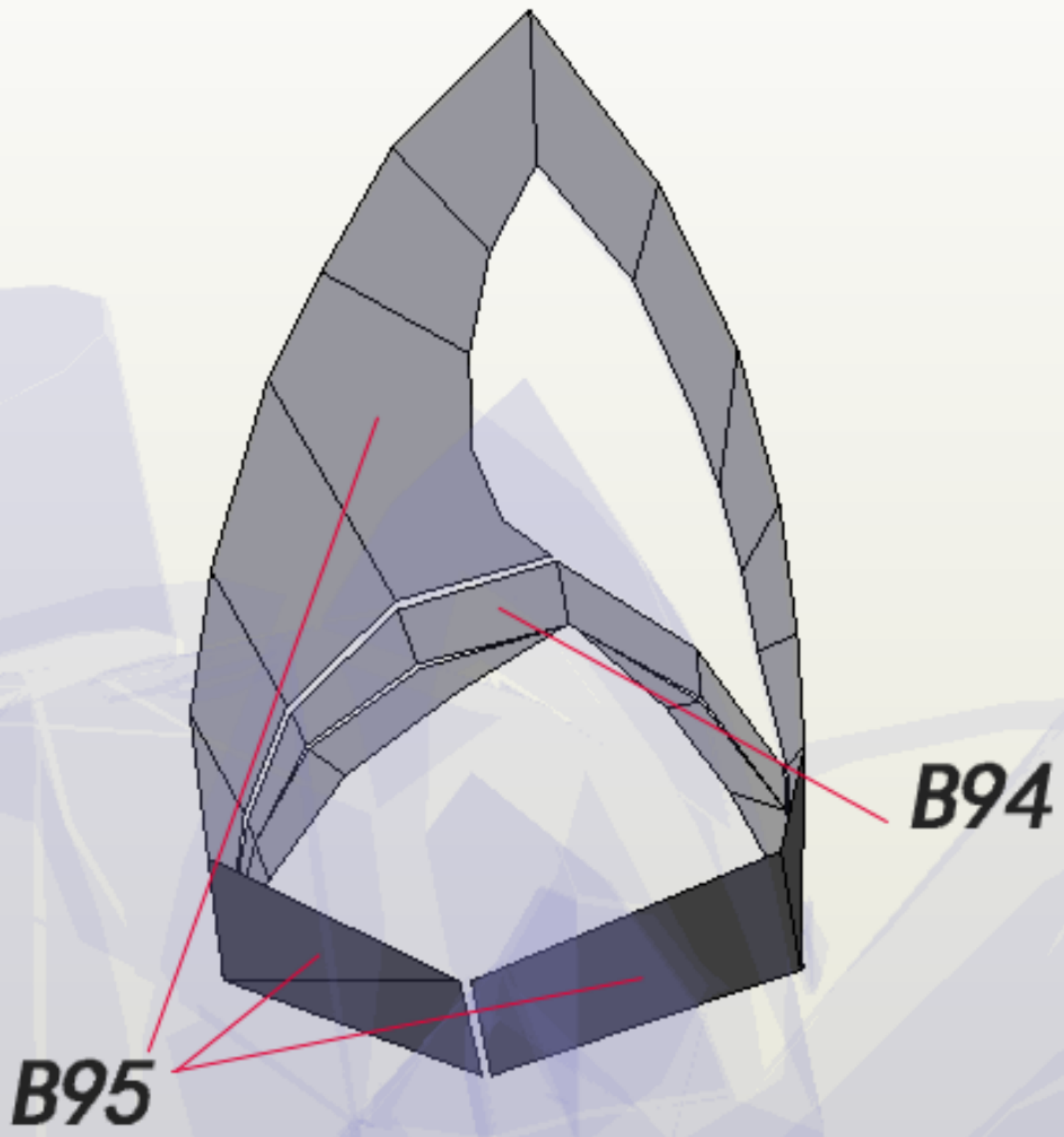
B91

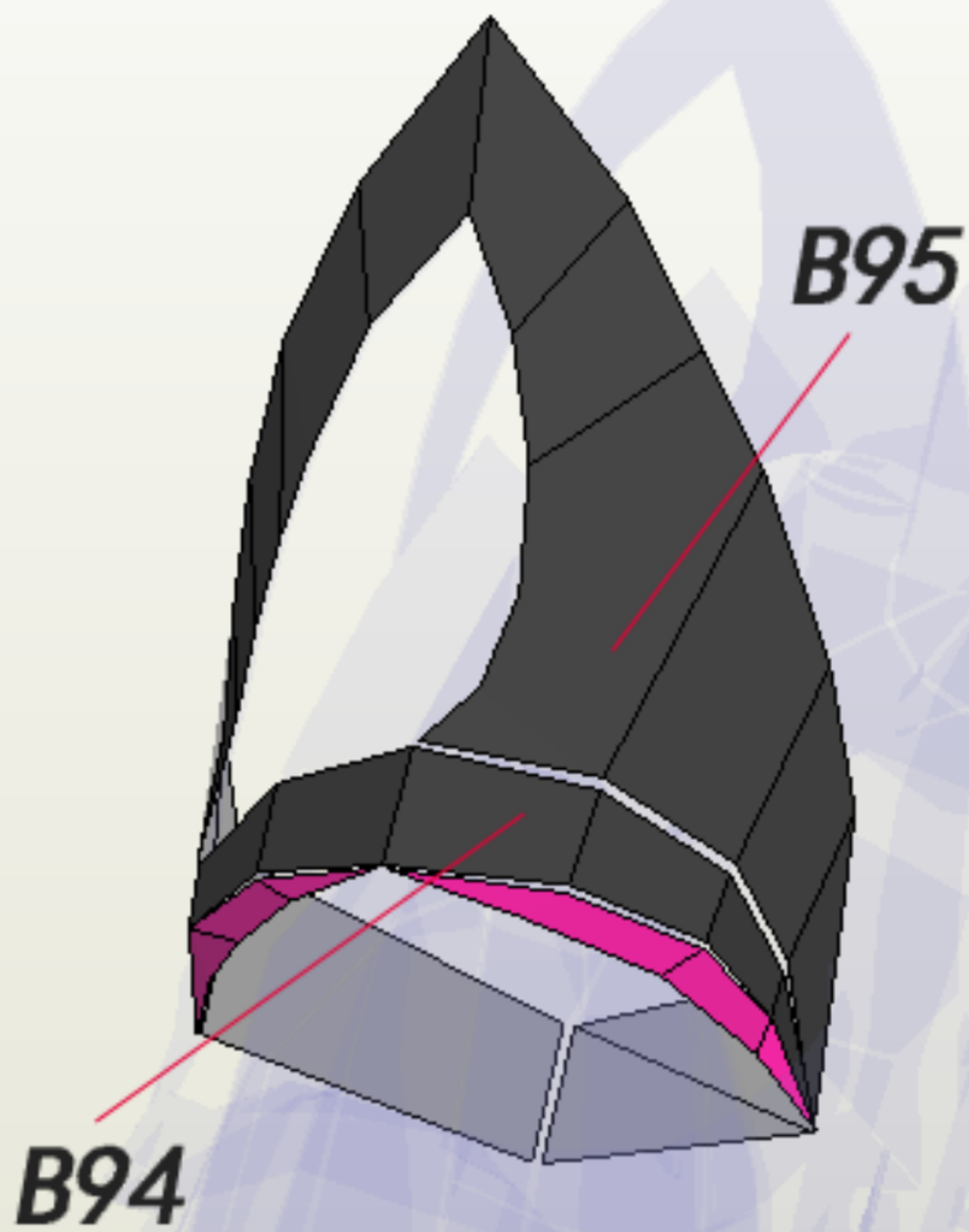
B92

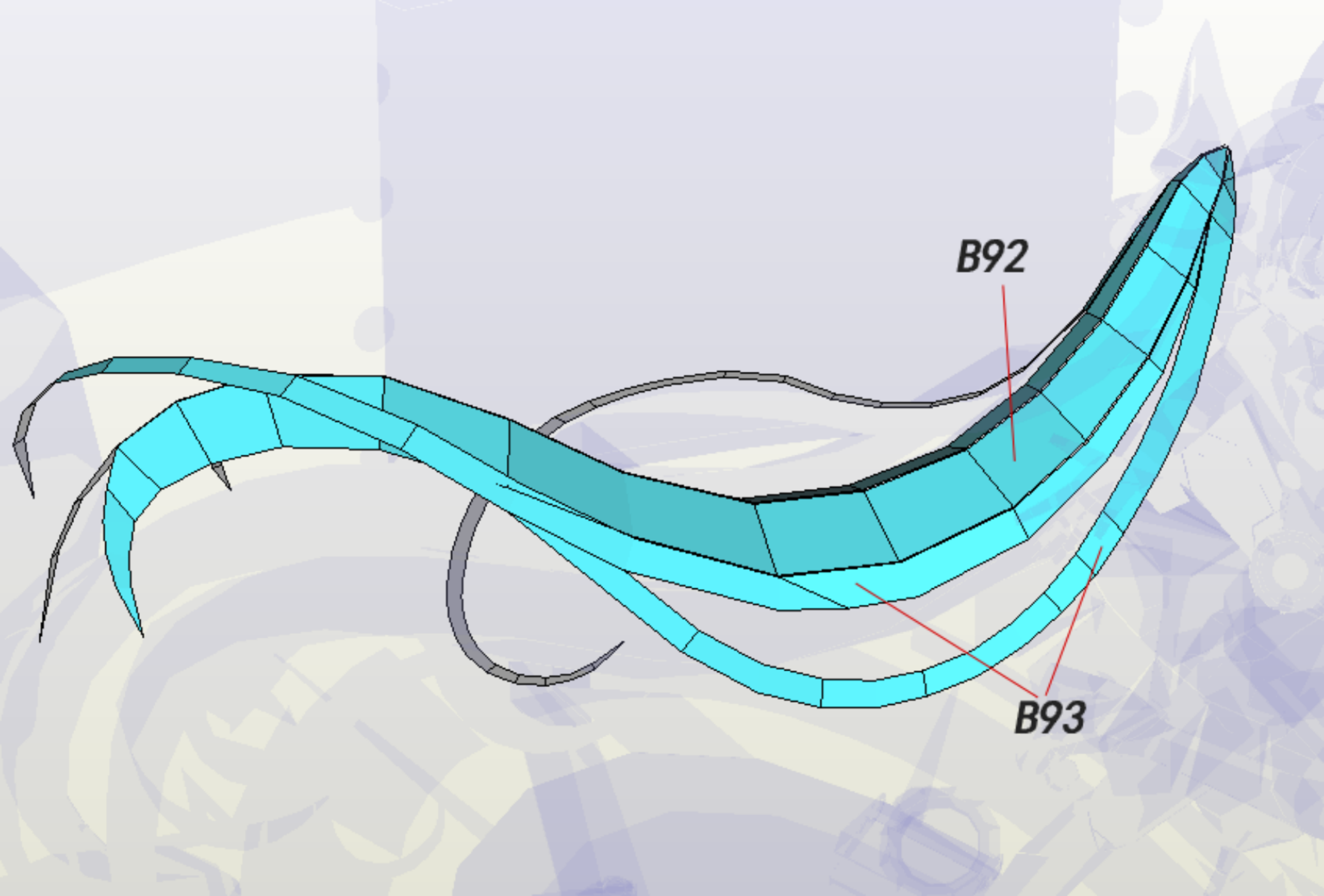


B90

B90



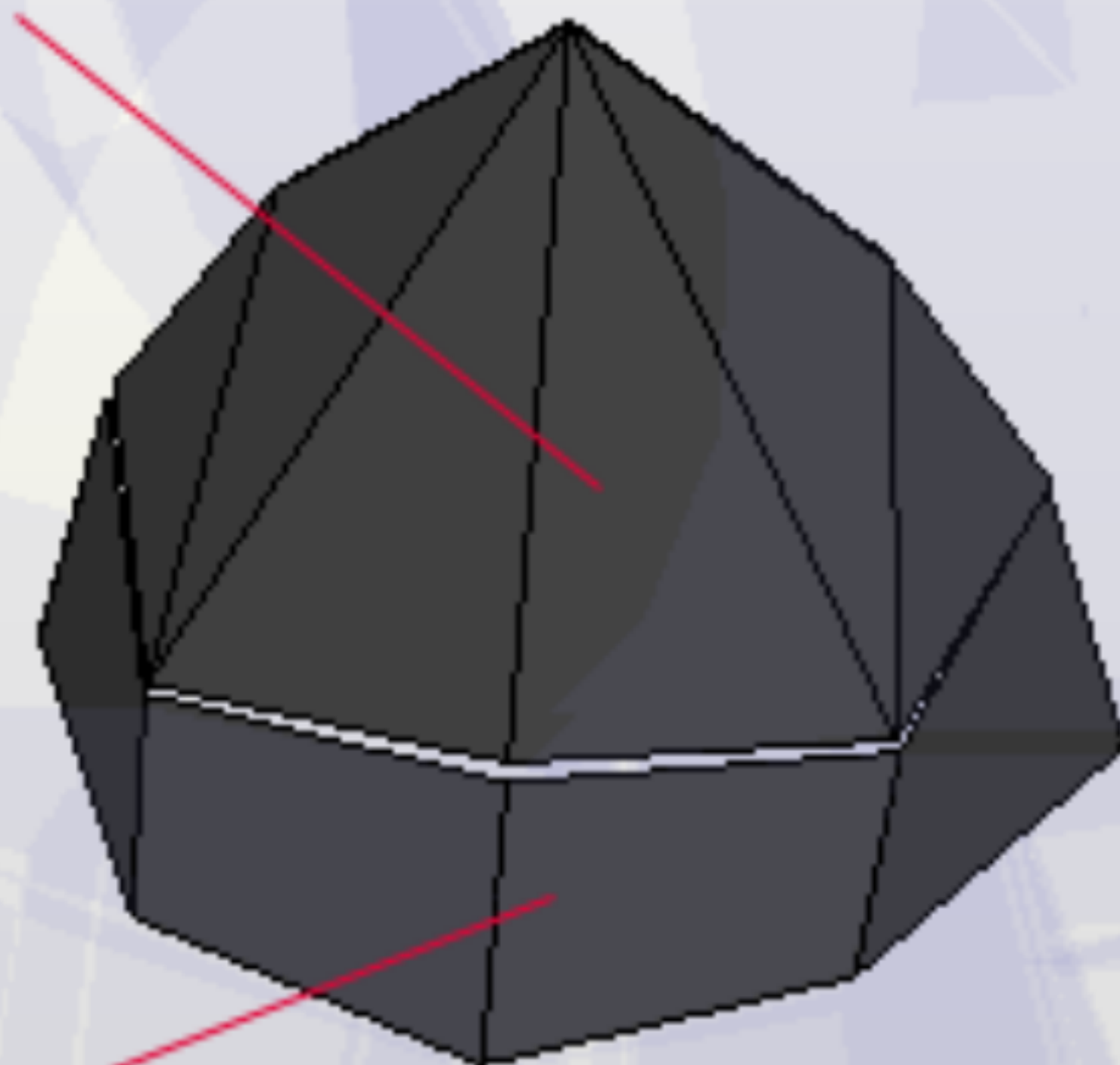




B92

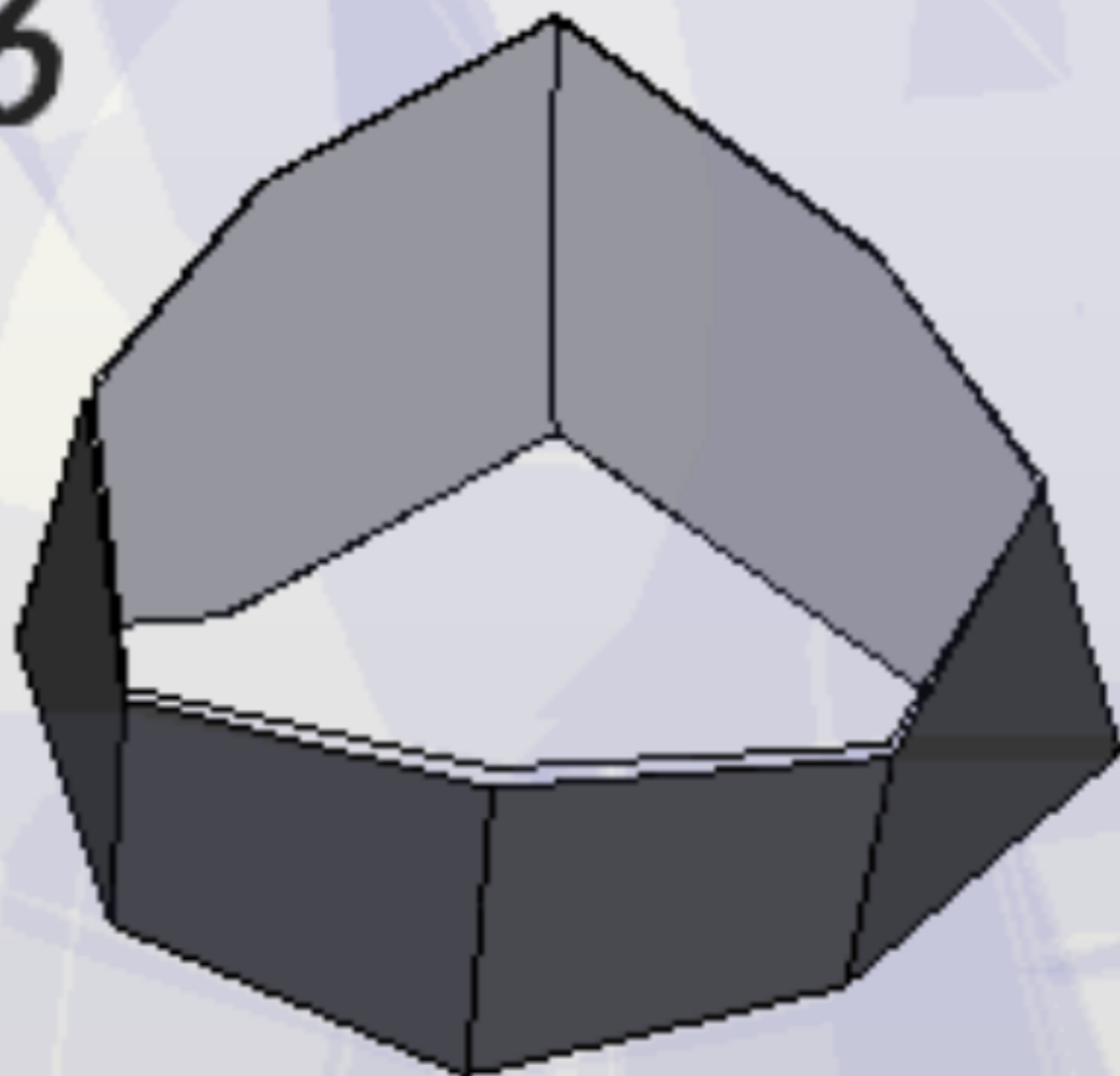
B93

B96a



B96

B96



B95a

