



RX-93

MOBILE SUIT v Gundam

E.F.S.F. AMURO RAYS CUSTOMIZE
MOBILE SUIT FOR NEW TYPE

General and Technical Data

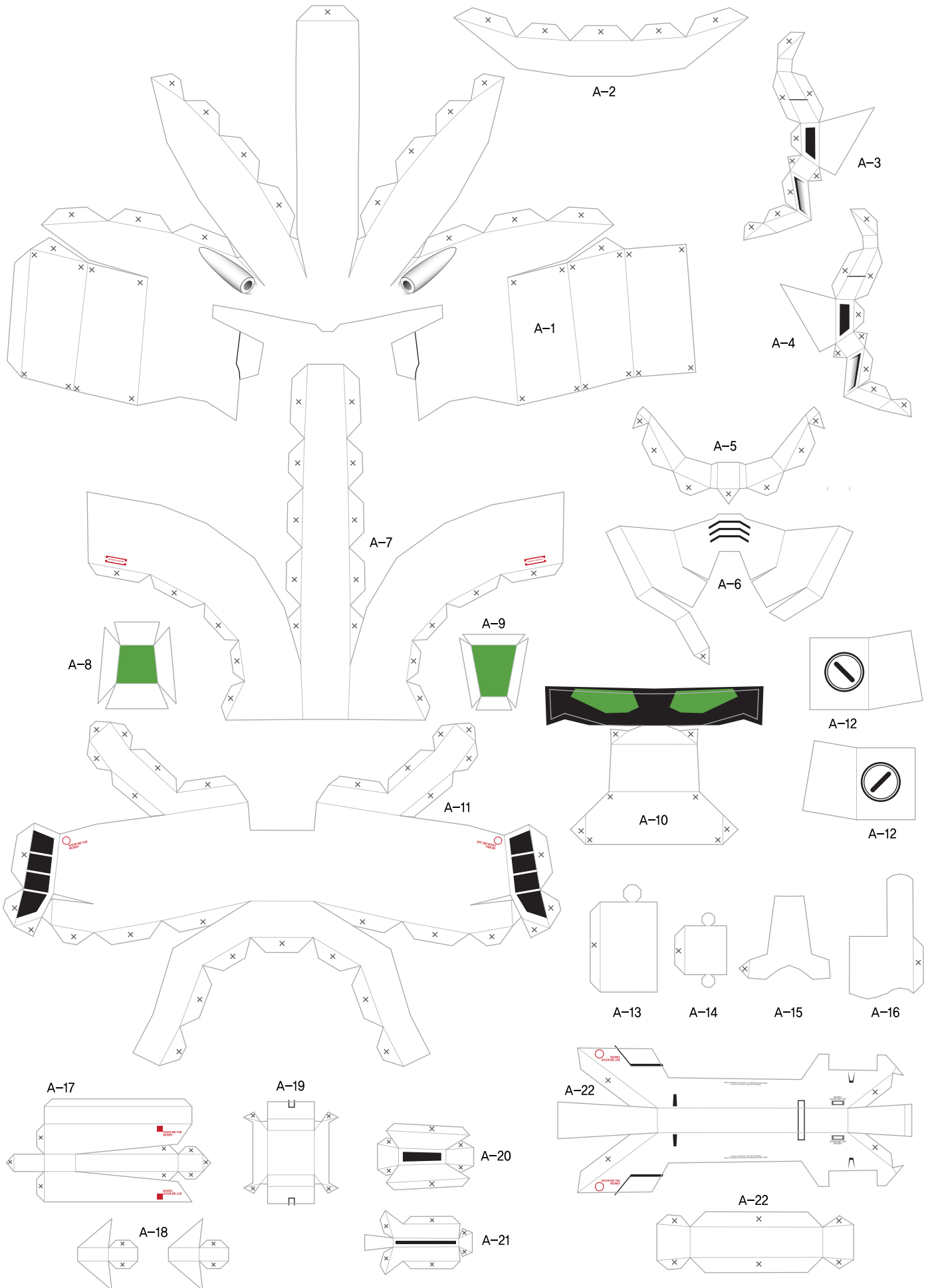
Model number: RX-93
Code name: v Gundam
Unit type: Newtype use ultrahigh efficiency mobile suit
Manufacturer: Anaheim Electronics
Operator: Londo Bell
First deployment: March UC 0093
Accommodation: pilot only, in ejectable panoramic monitor/linear seat cockpit in torso
Dimensions: overall height 23,0 meters; head height 22,0 meters
Weight: empty 27,9 metric tons; max gross 63,0 metric tons
Armor materials: gundarium alloy
Powerplant: Minovsky type ultracompact fusion reactor, output rated at 2980 kW
Propulsion: rocket thrusters: 4 x 18300 kg, 2 x 12300 kg; vernier thrusters/apogee motors: 26
Performance: maximum thruster acceleration 1,55 G
Equipment and design features:

sensors, range 21300 meters; dummy launchers in hands; birdlime launchers in hands; psycoframe cockpit frame
Fixed armaments: 2 x vulcan gun, fire-linked, mounted in head; large beam saber, power rated at 0,85 MW, stored in recharge rack on backpack, hand-carried in use; beam saber, stored in recharge rack in left forearm, hand-carried in use
Optional fixed armaments: shield, mounted on left forearm, mounts beam cannon (power rated at 7,8 MW) and 4 x small missile
Optional hand armaments: beam rifle, power rated at 3,8 MW, powered by rechargeable energy cap, with attached grenade launcher, 1 round; hyper bazooka, clip-fed, 4 rounds per clip plus 1 round in chamber, can be stored on backpack storage rack
Remote weapons: 6 x fin funnel, stored on backpack storage rack

Color Guide

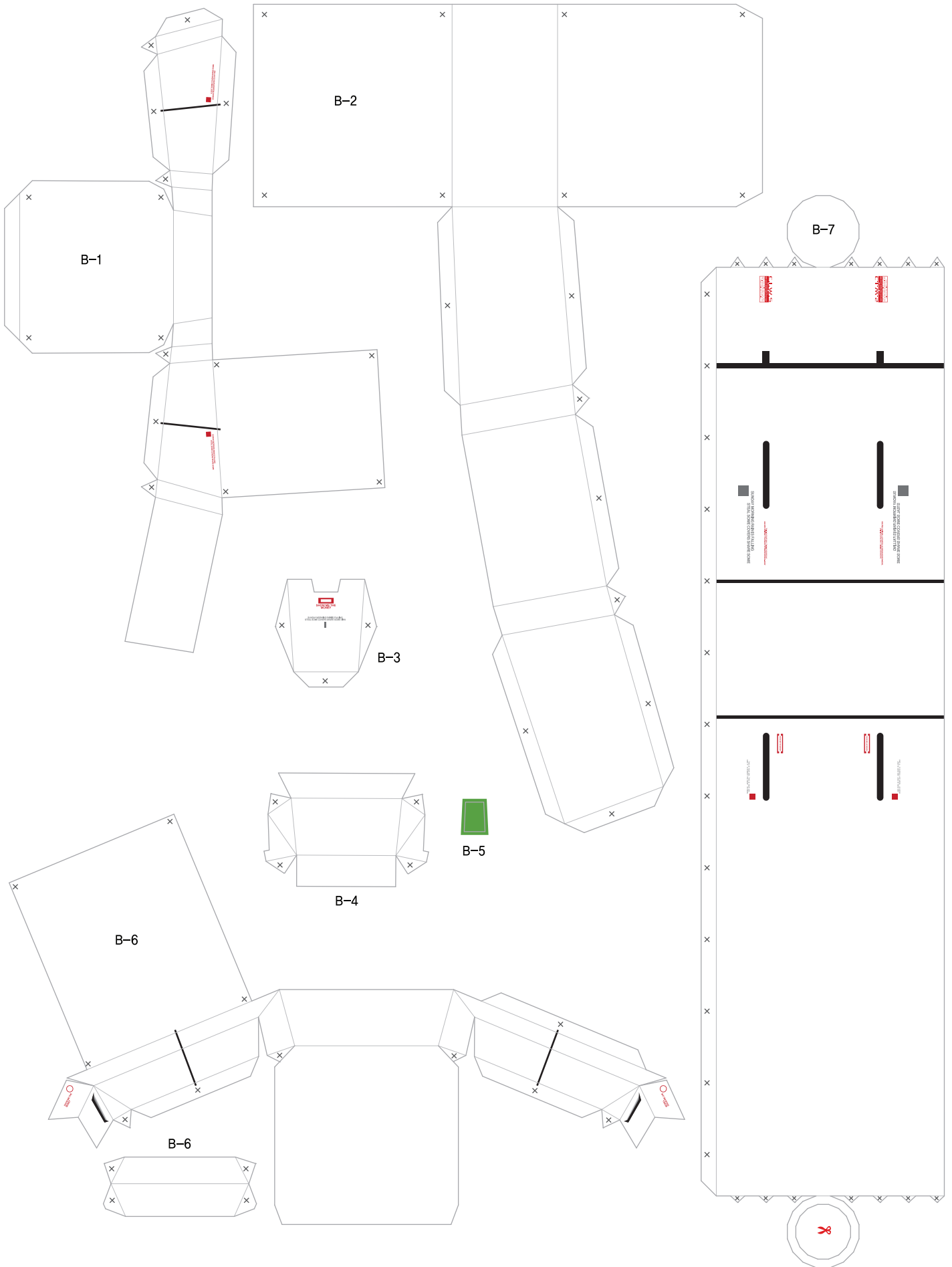
A-H	WHITE	□	8
I-N	BLACK	■	6
O-R	GRAY	■	4
S	YELLOW	■	1
T	RED	■	1

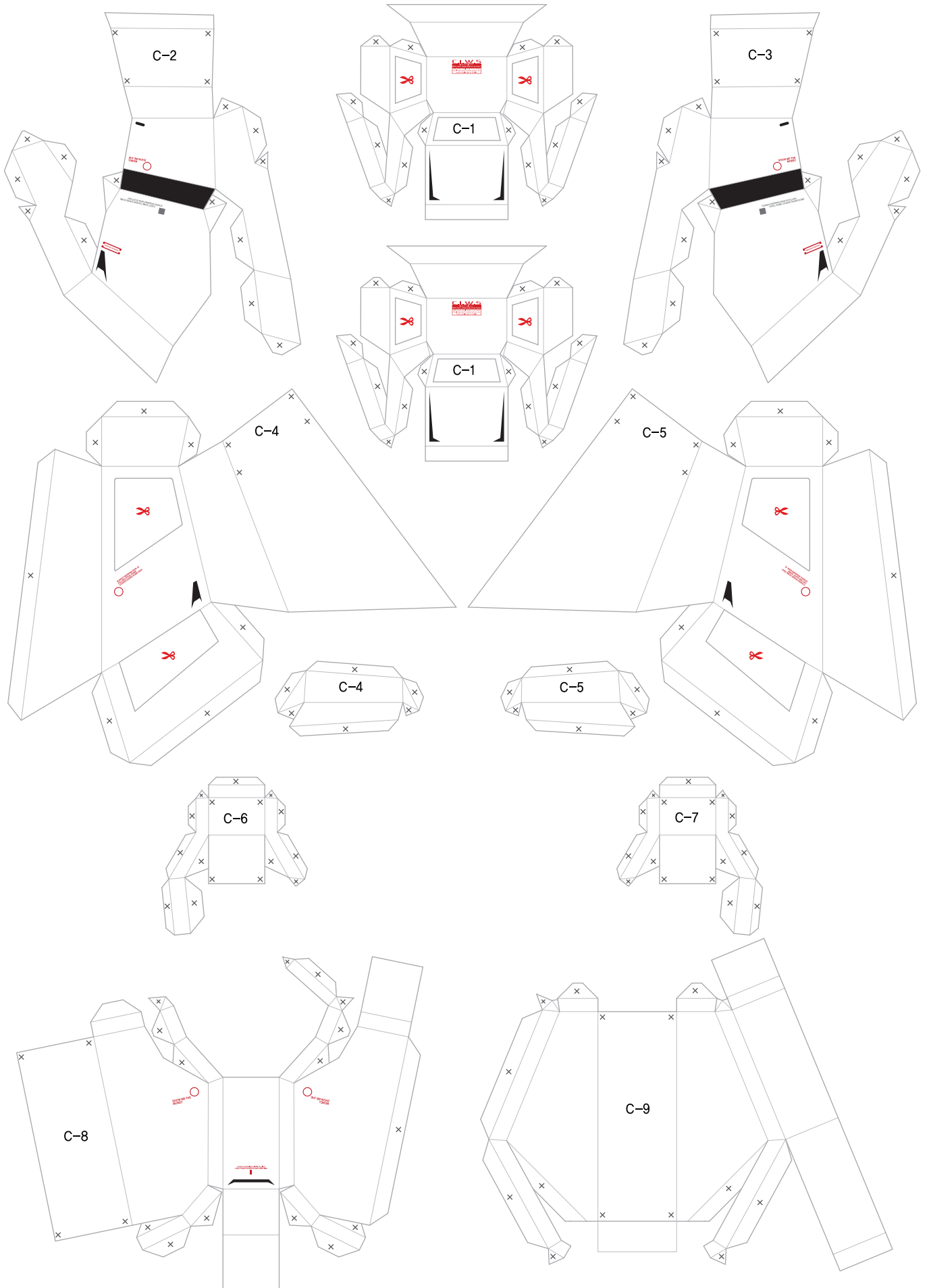
TOTAL 20

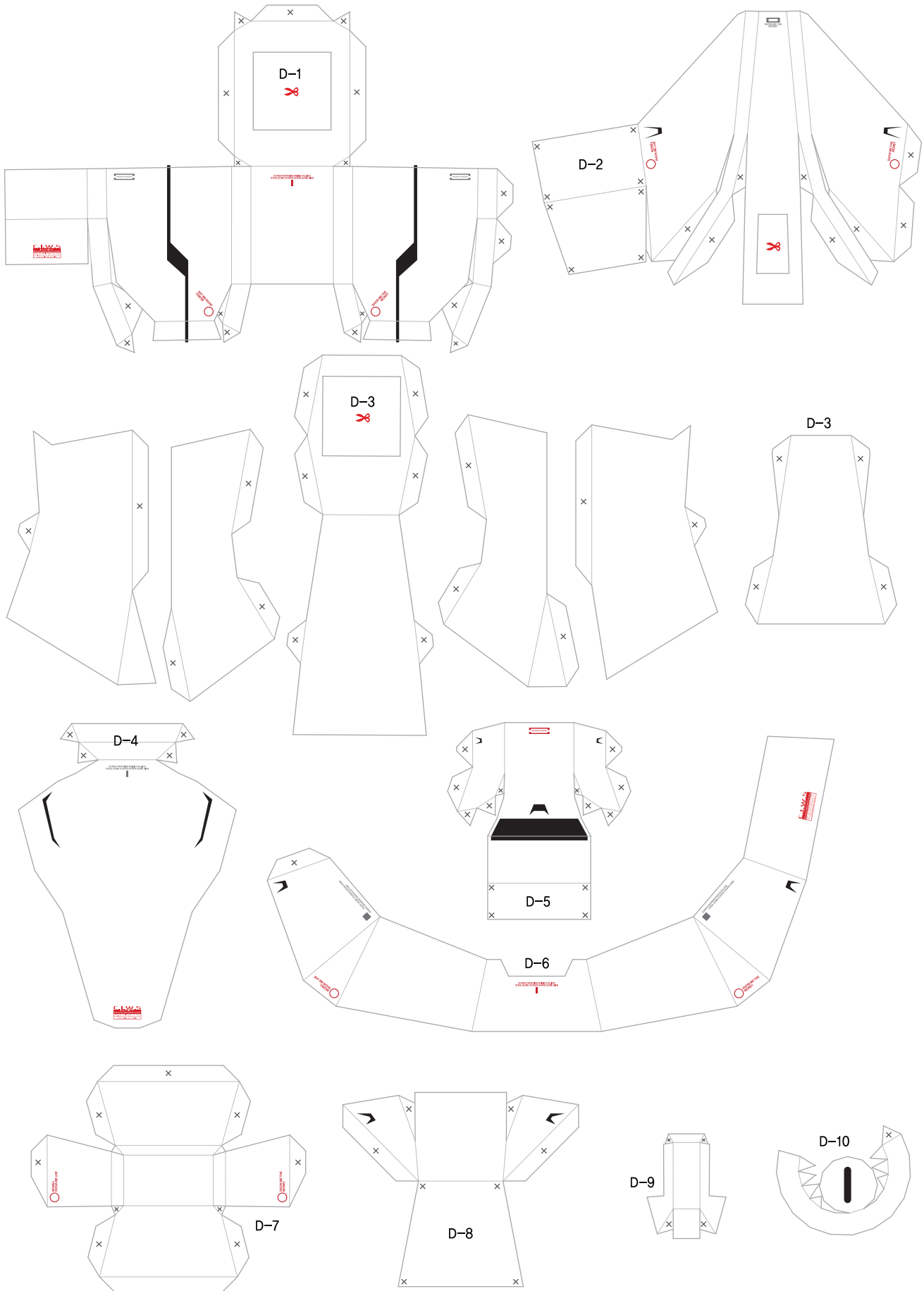


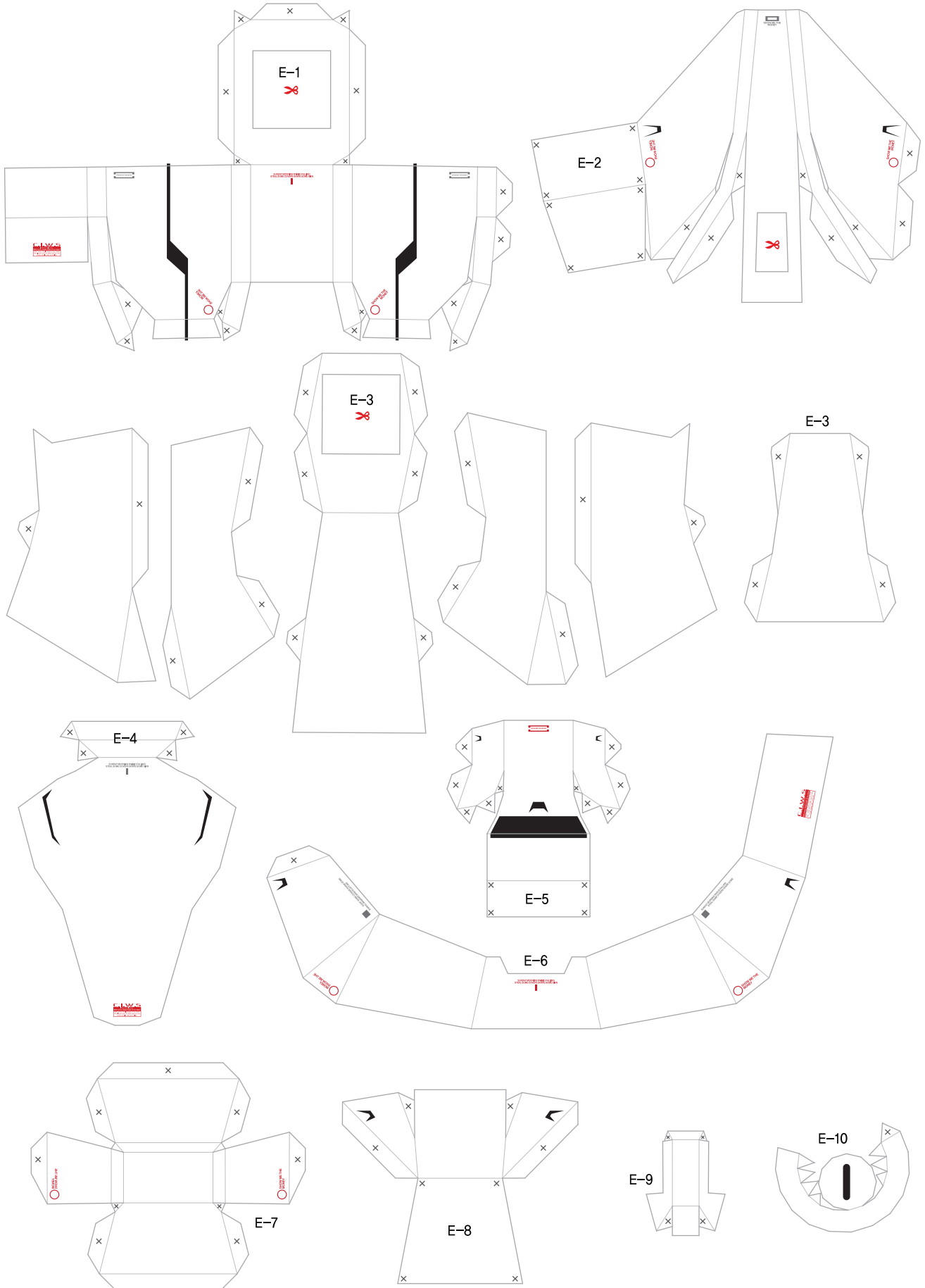
B white

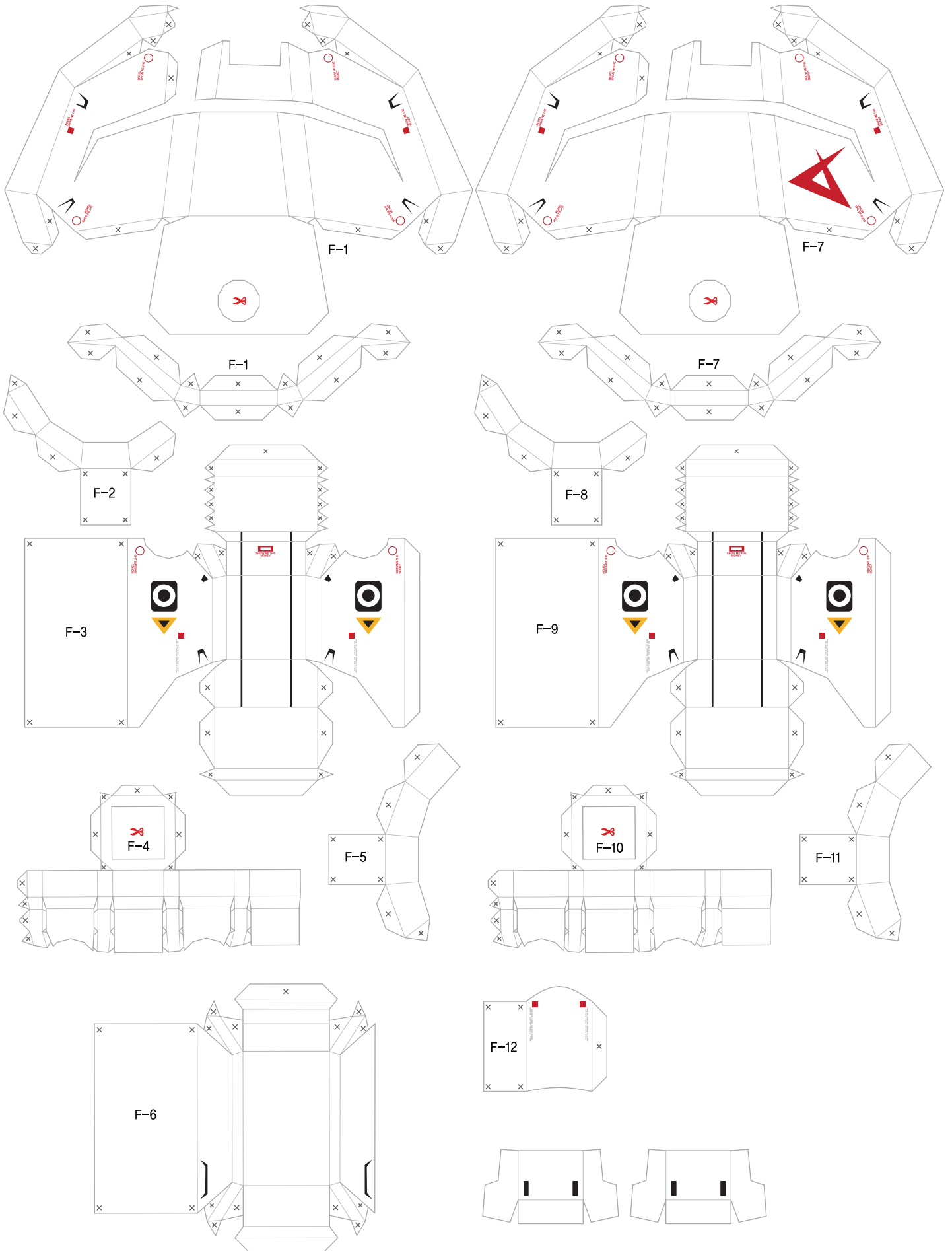
1-6 CHEST
7 BZK

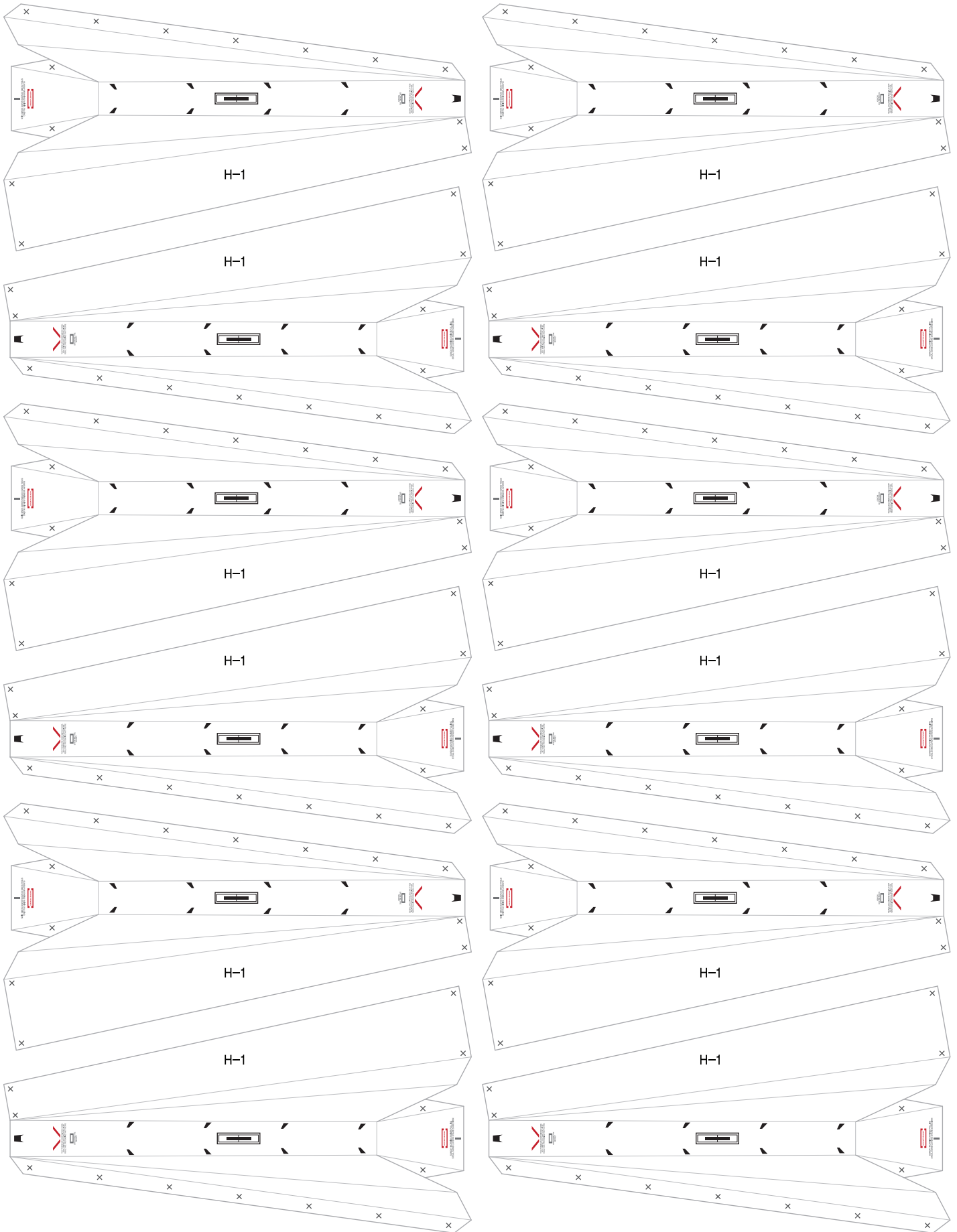




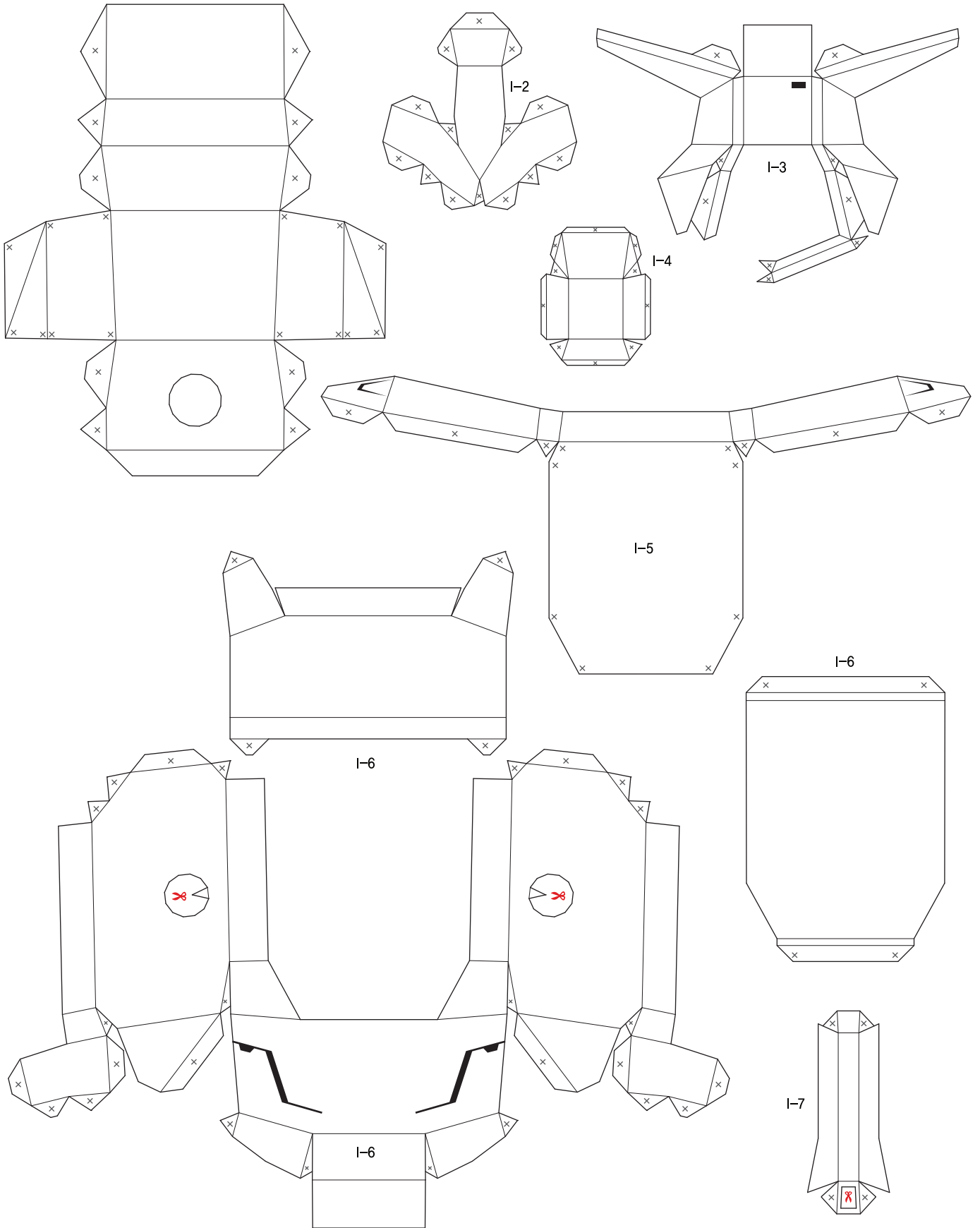


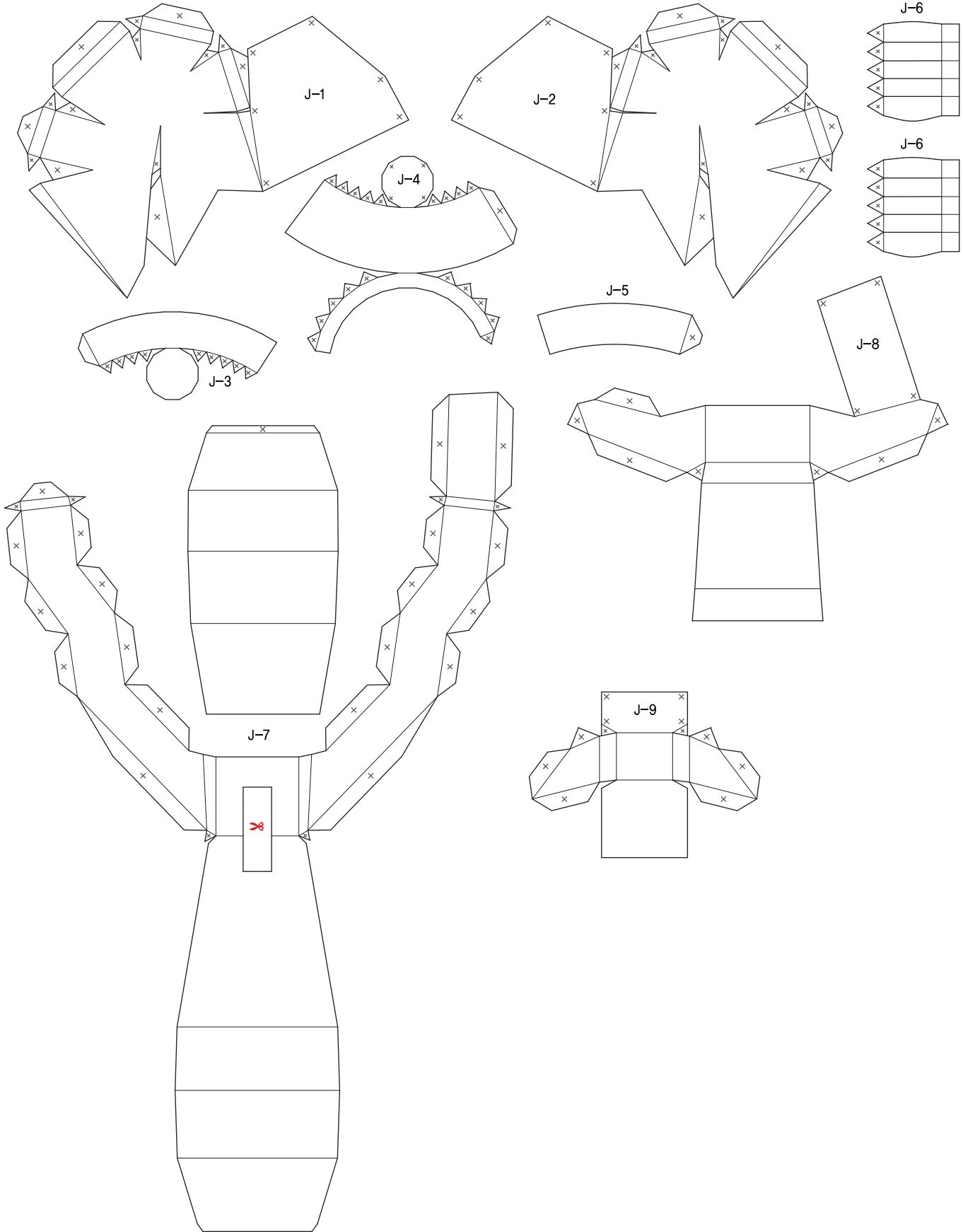


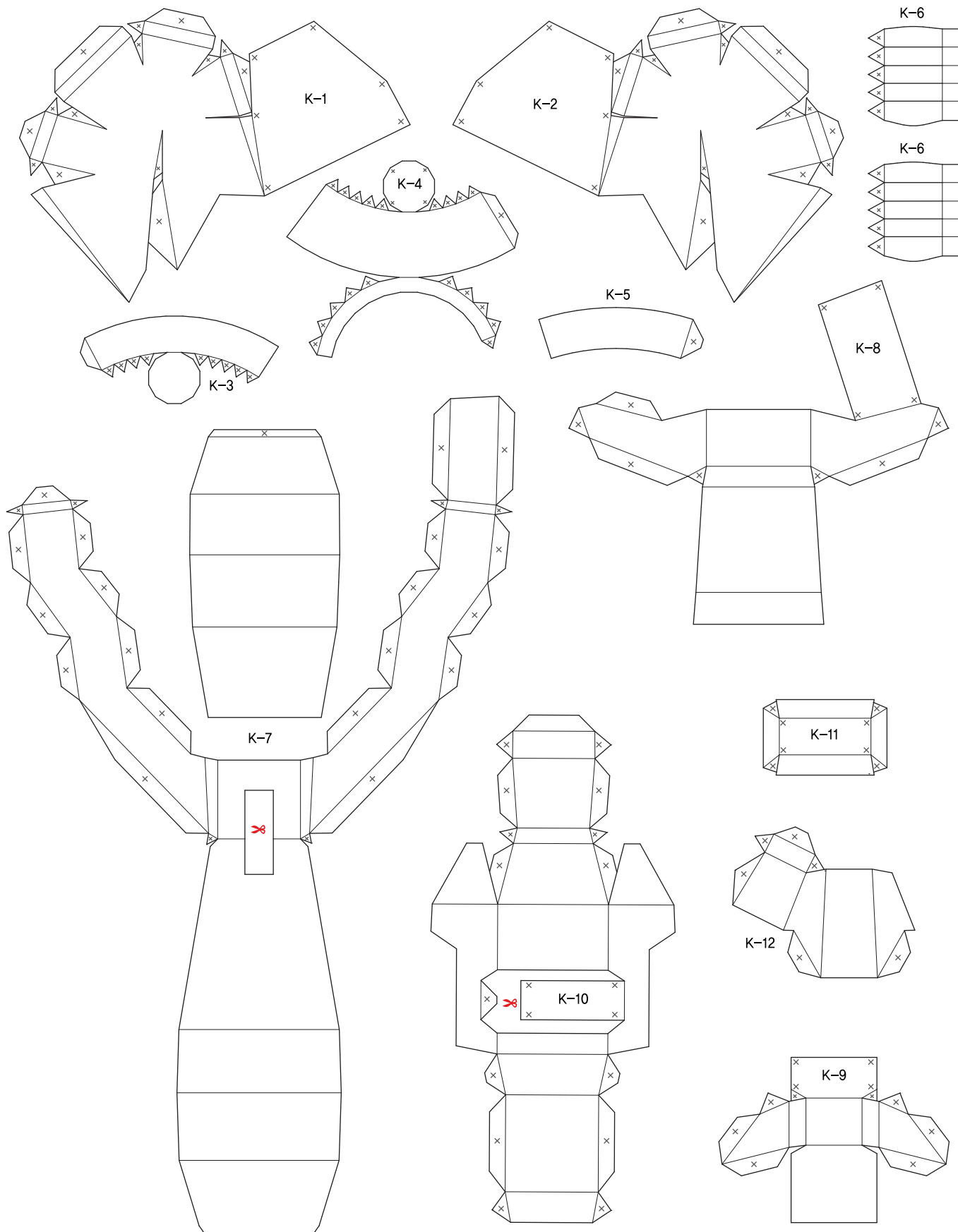


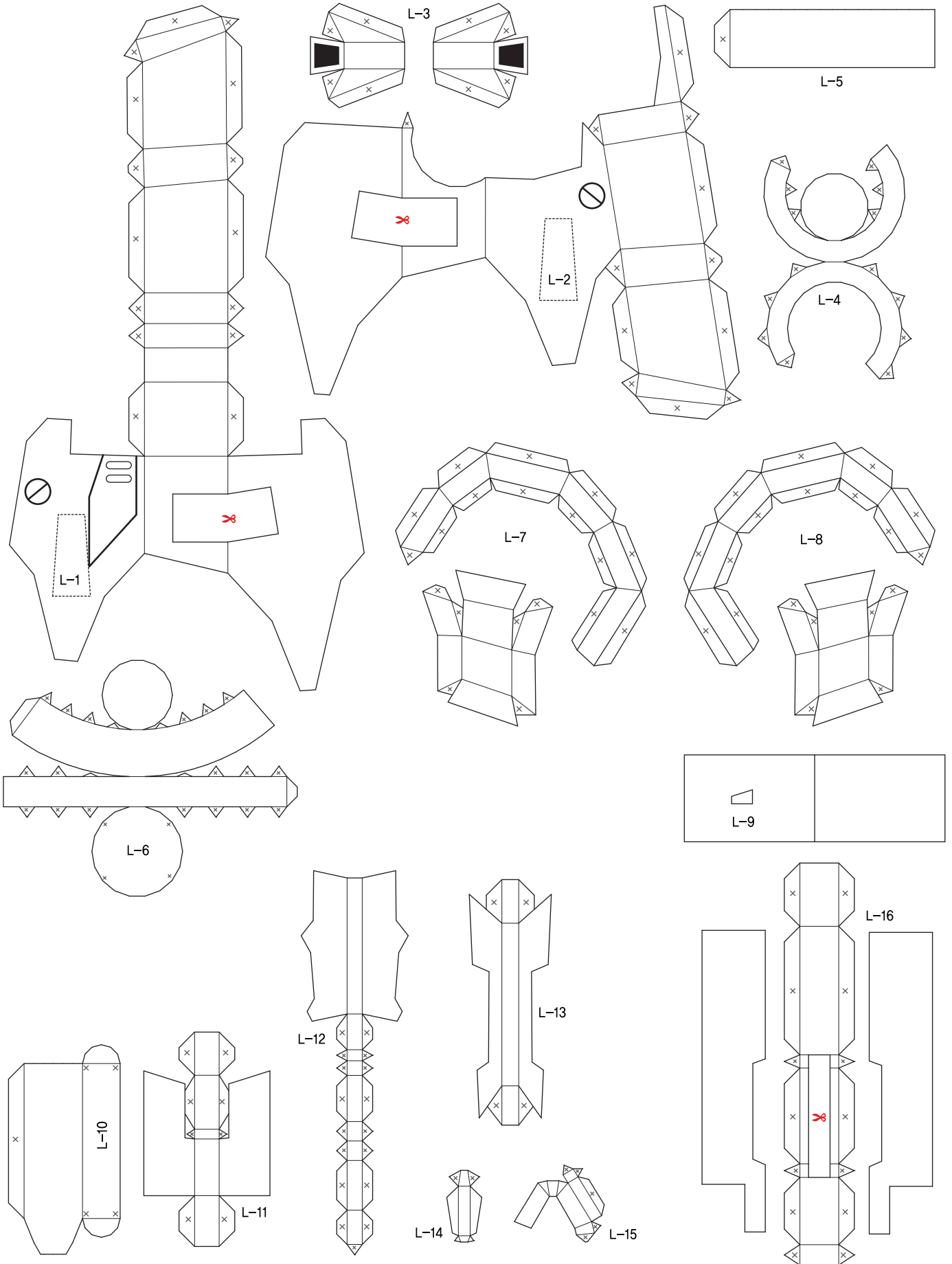


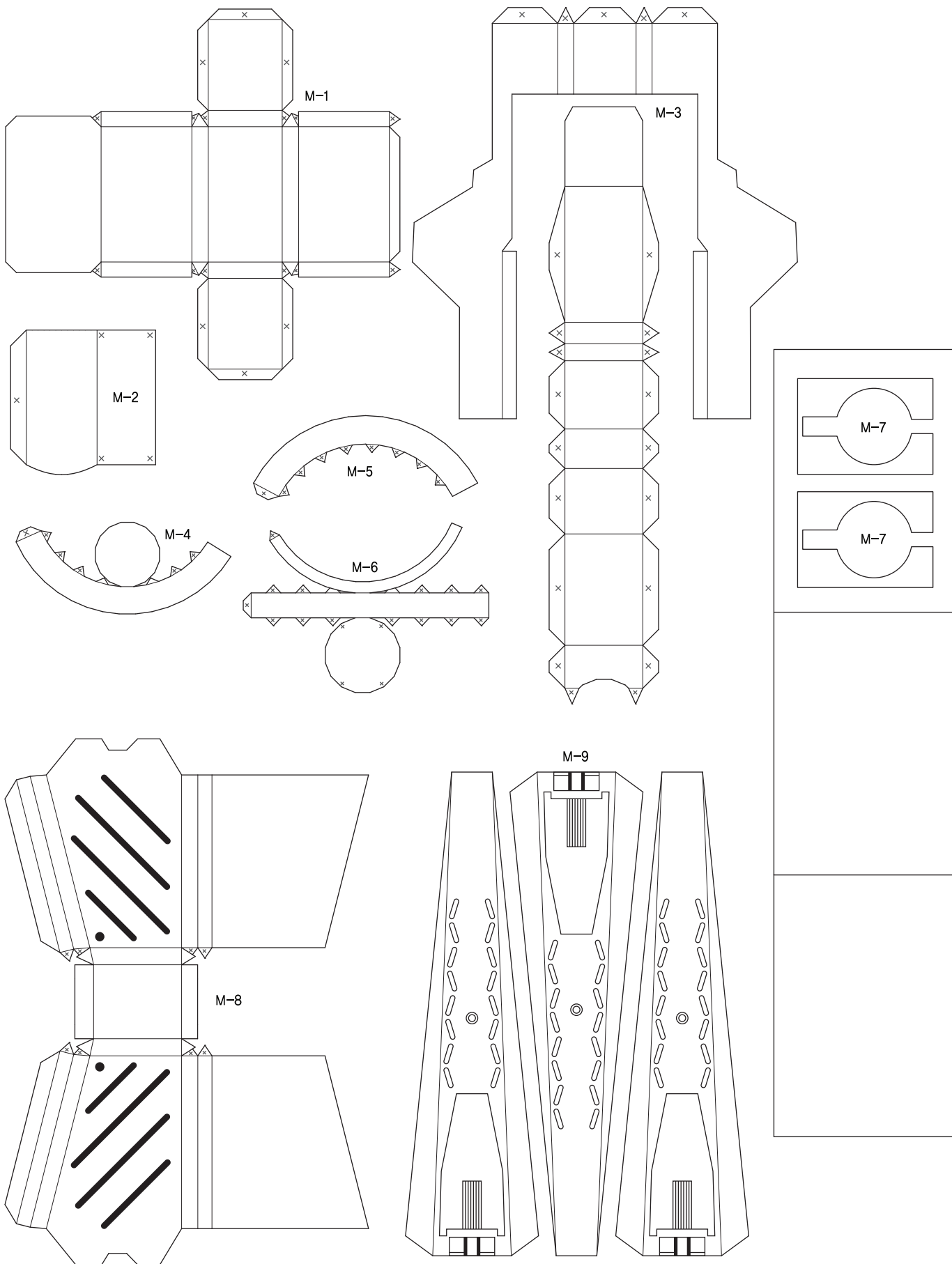
1-2	HEAD
3-7	CHEST

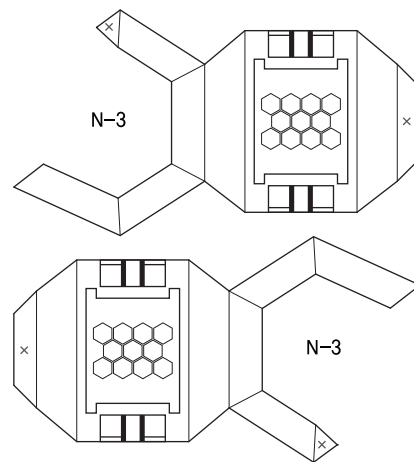
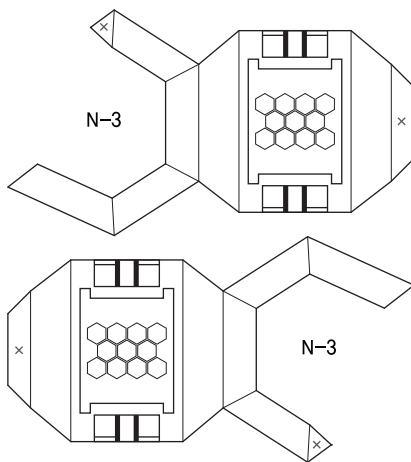
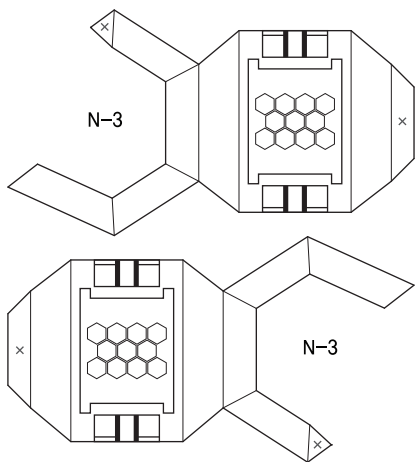
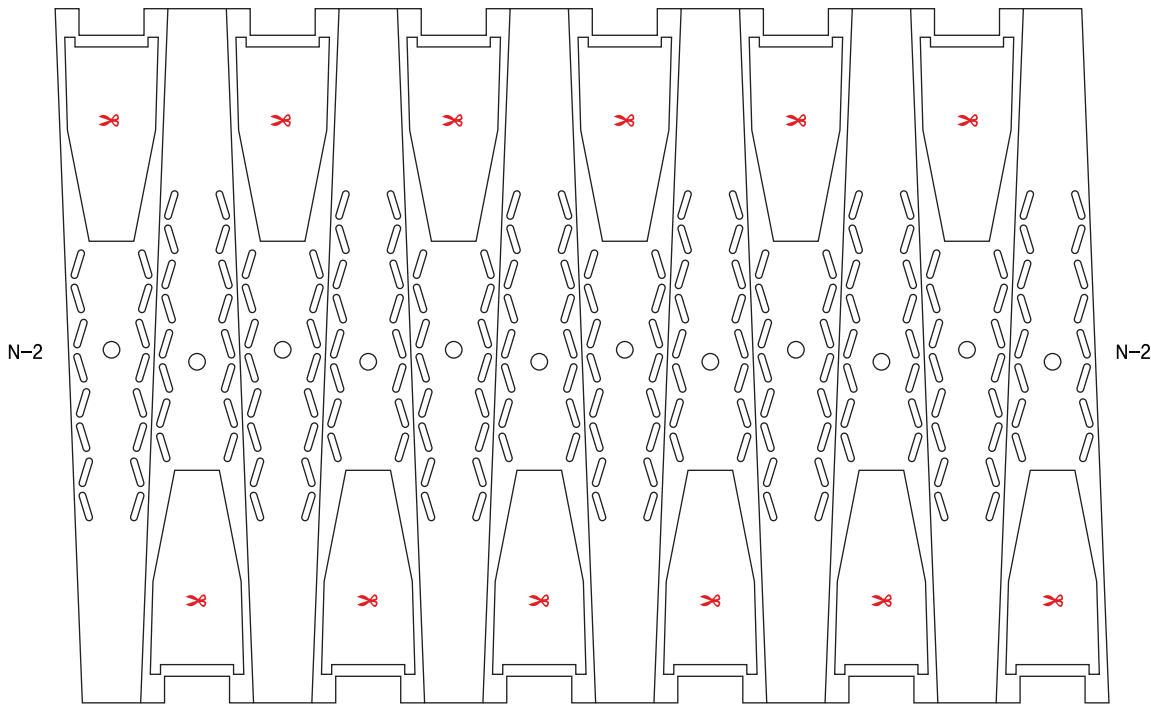
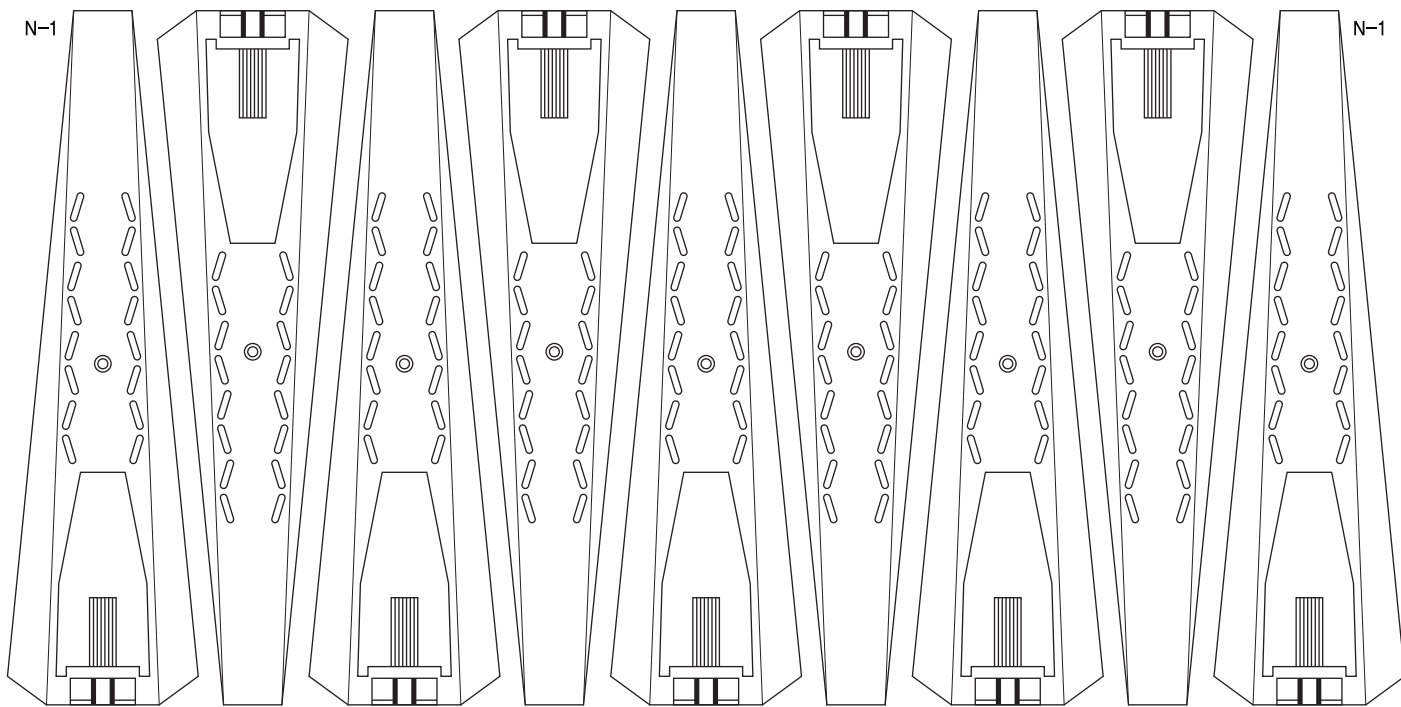


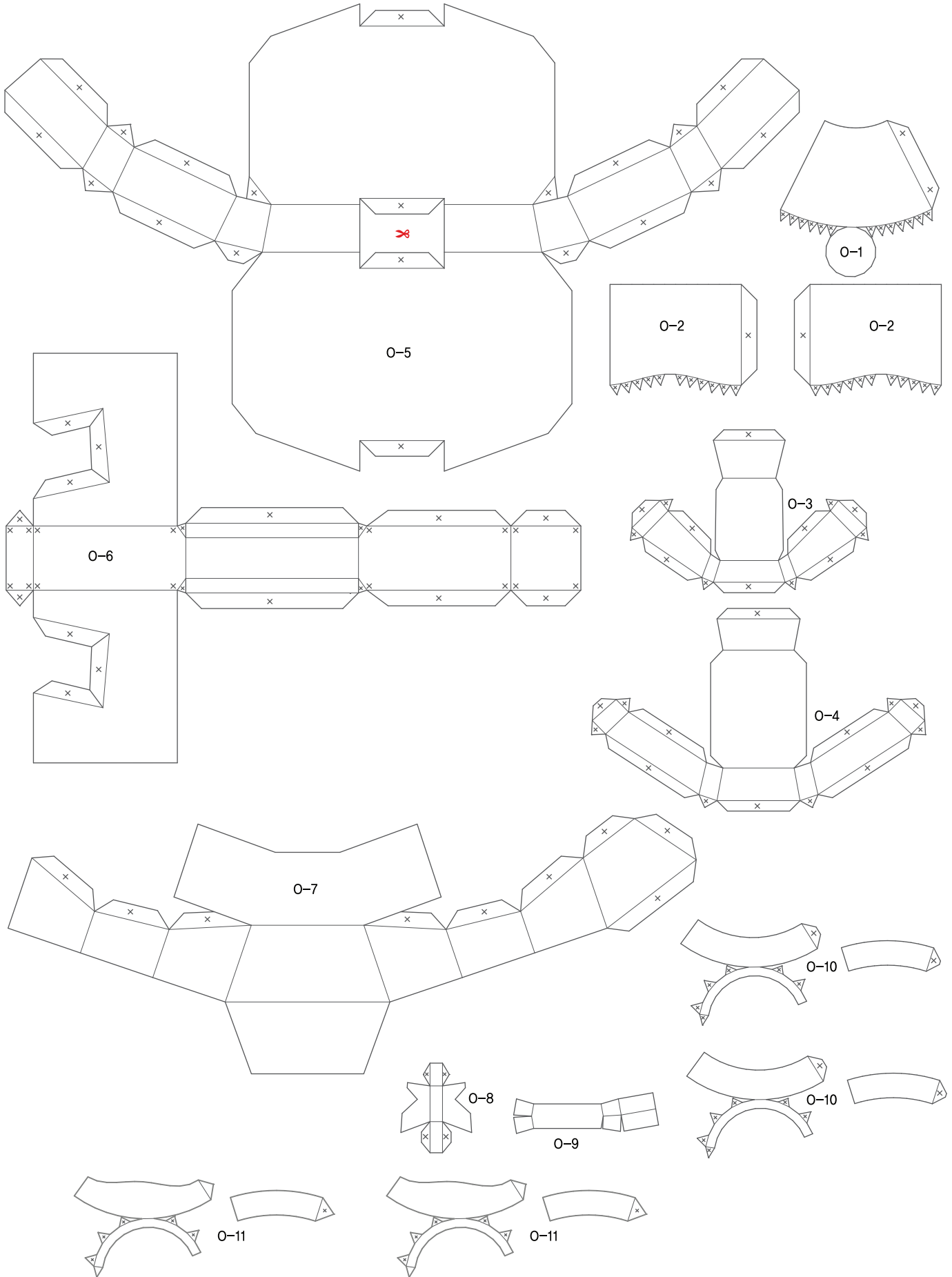


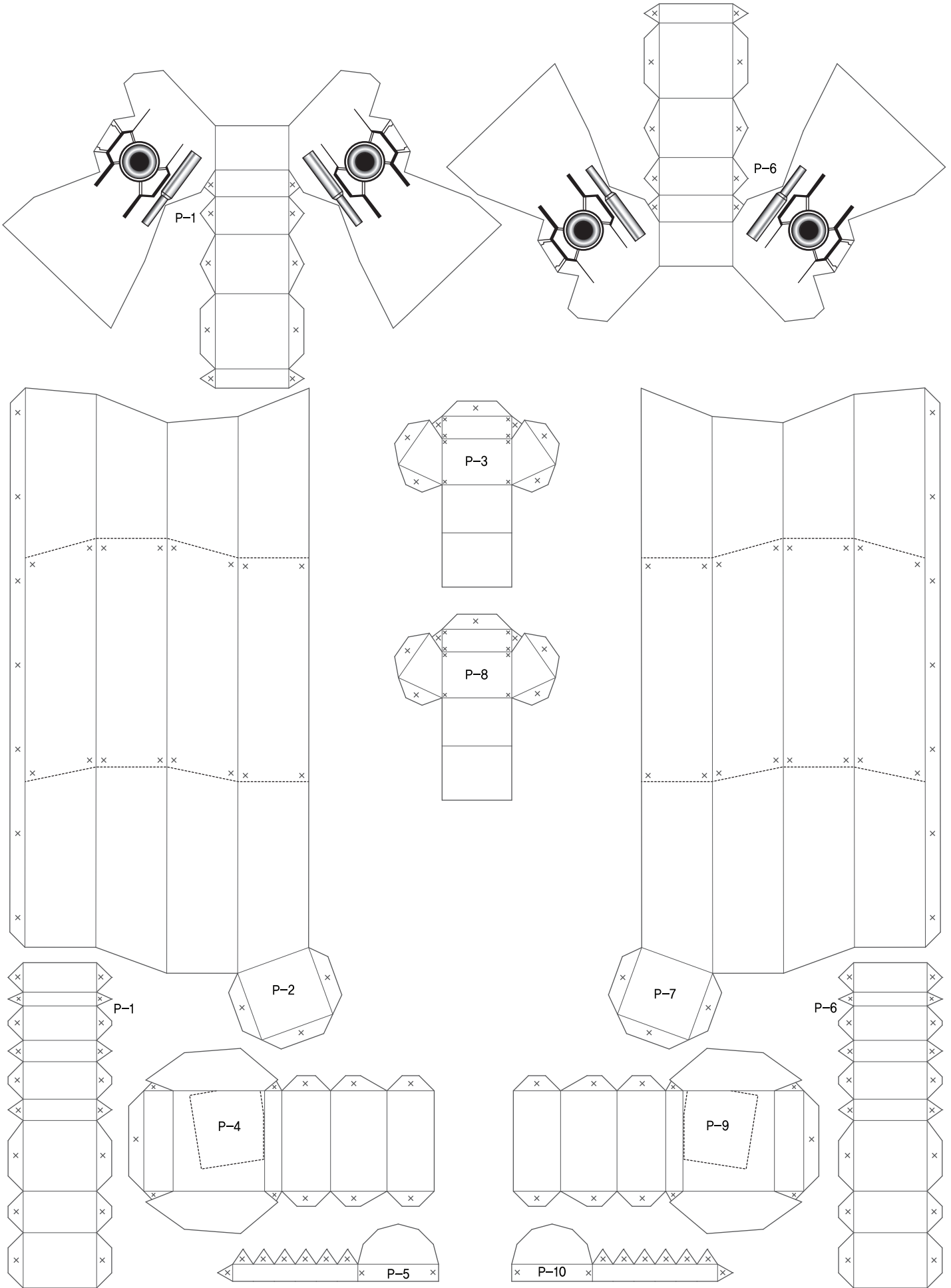


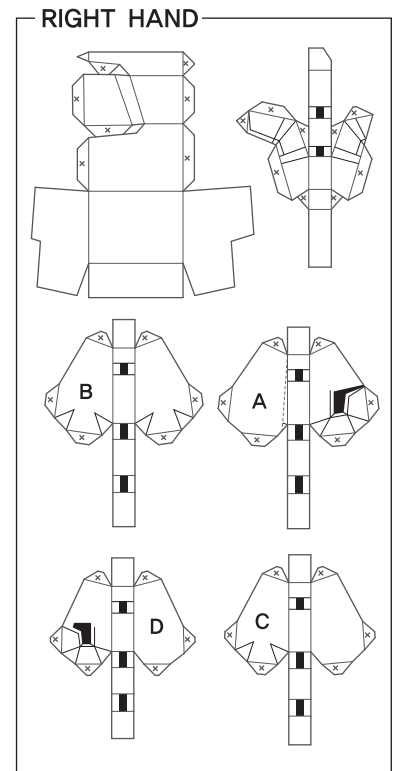
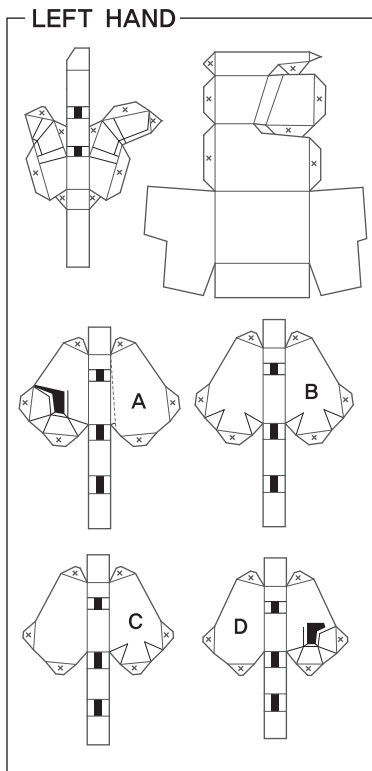
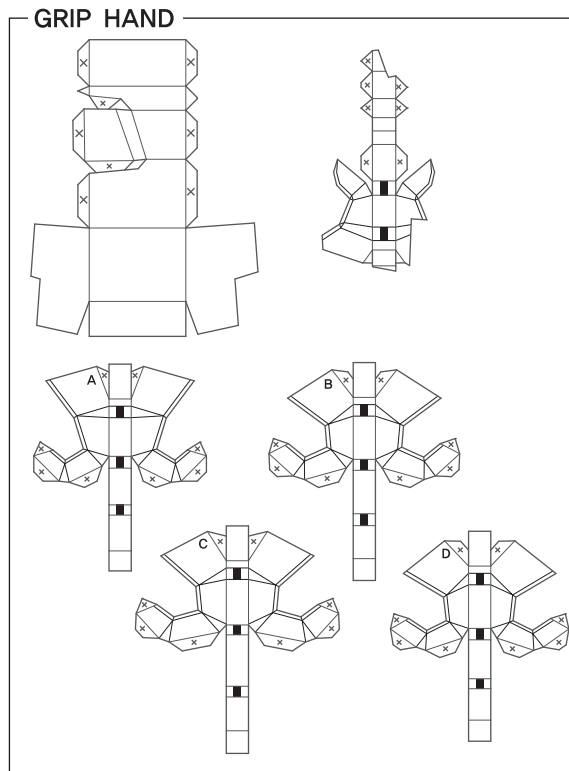
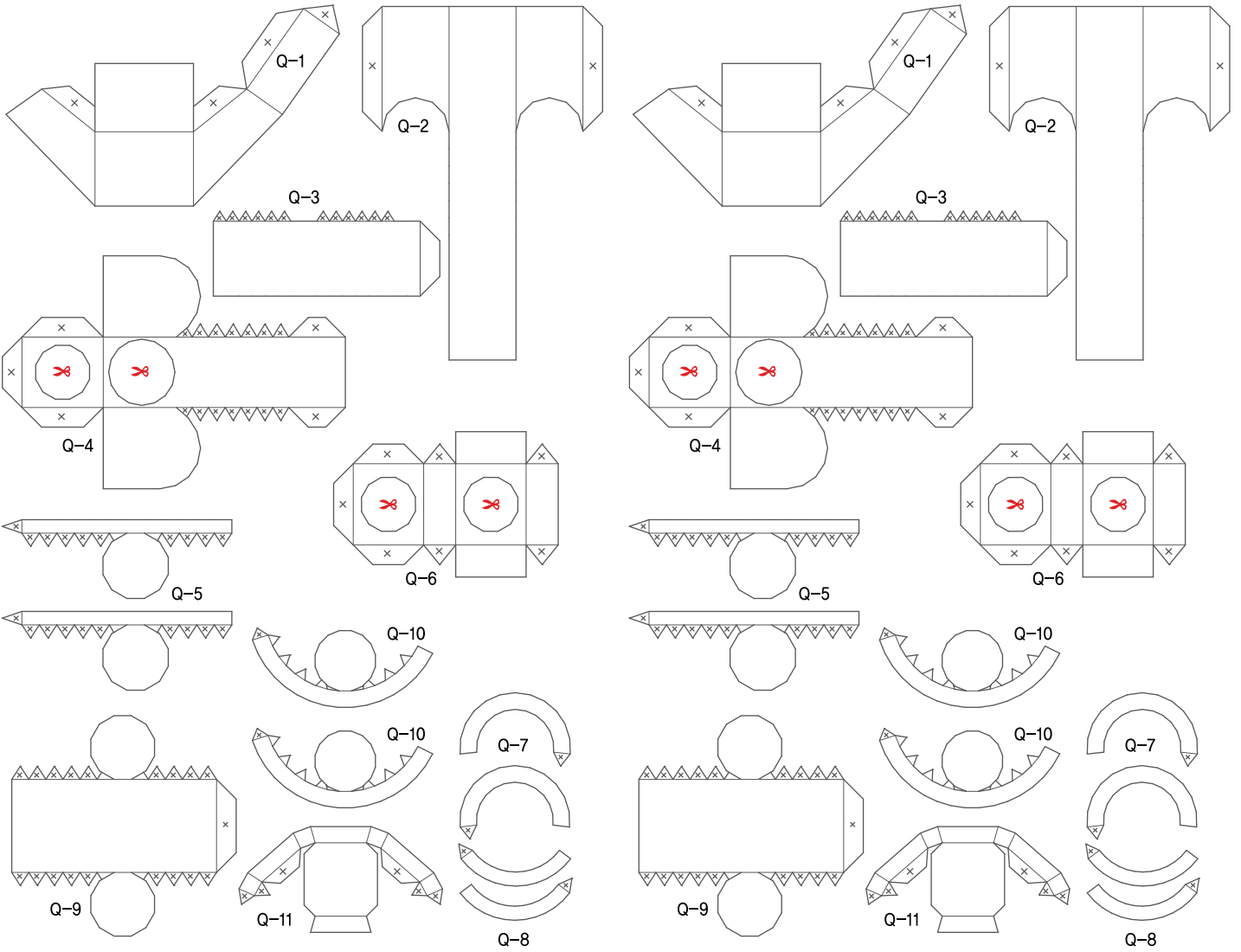


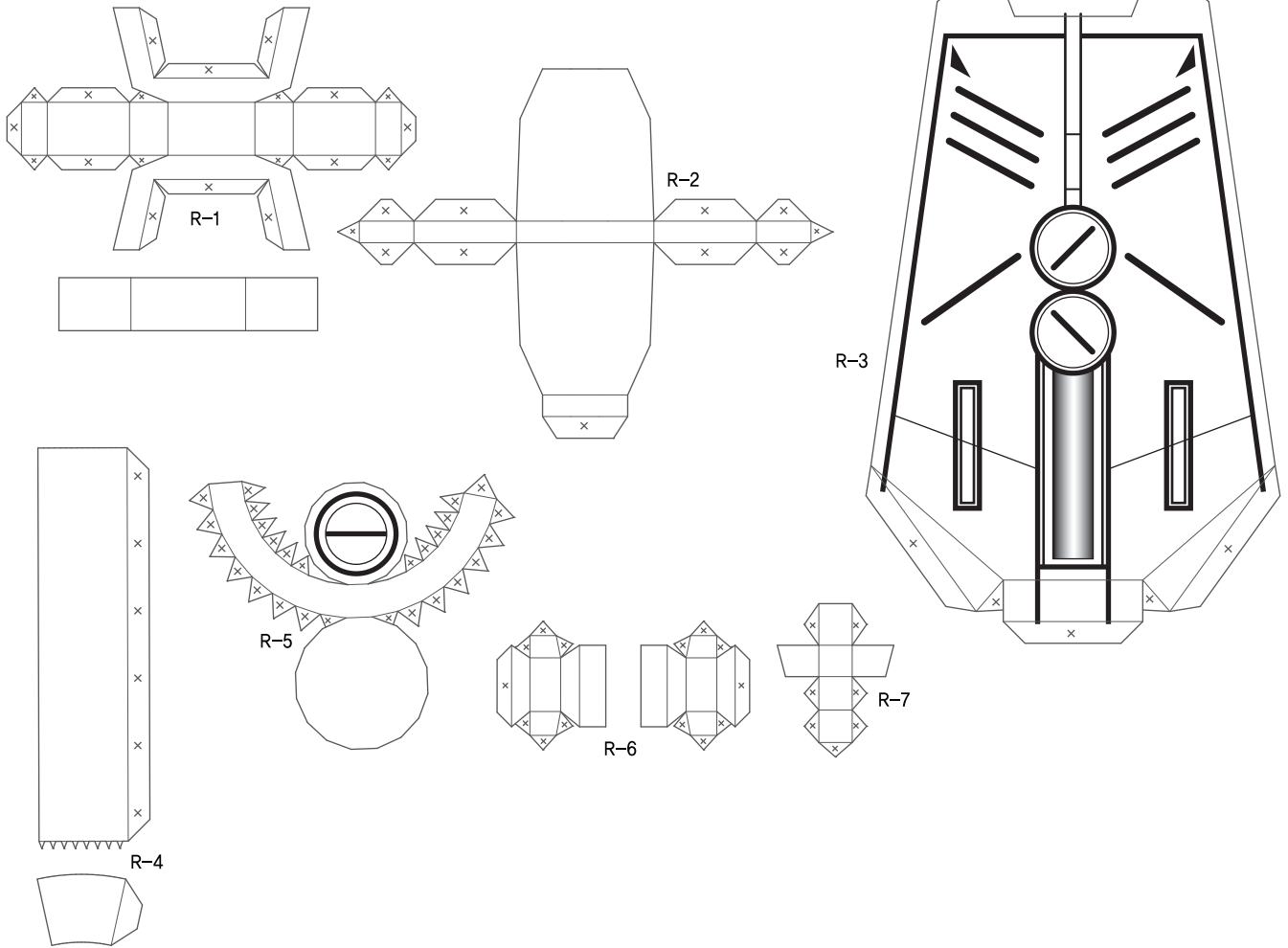






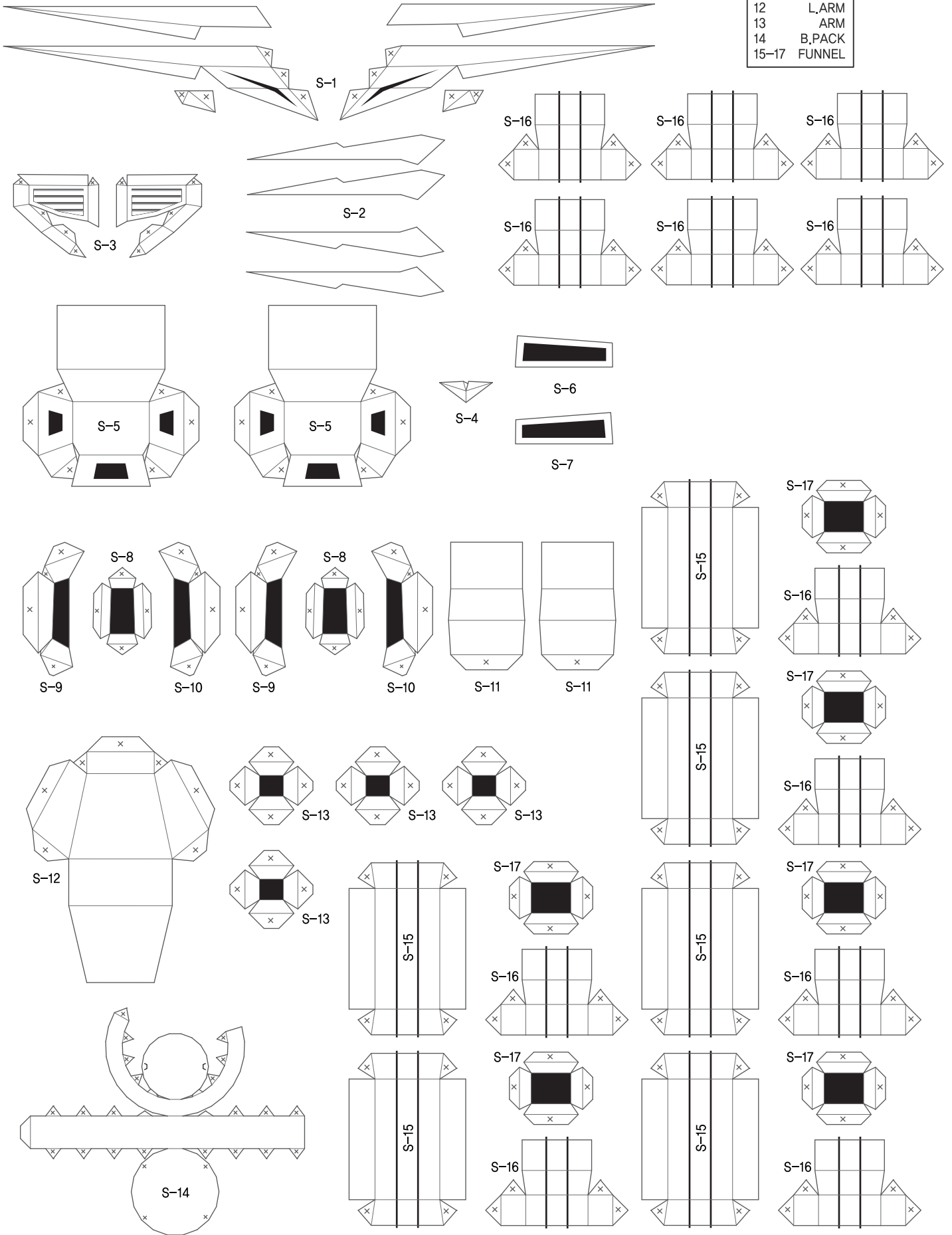






1-2	HEAD	5-7	PELVIS
3	CHEST	8-11	LEG

12	L_ARM
13	ARM
14	B_PACK
15-17	FUNNEL



T

red

MODELING BY CREAM-BREAD RX-93 GUNDAM

INFORMATION

1	HEAD	3-4	PELVIS
2	CHEST	5	B.PACK

6	SHIELD
7	B,Z,K

